

5 11 052 001 00

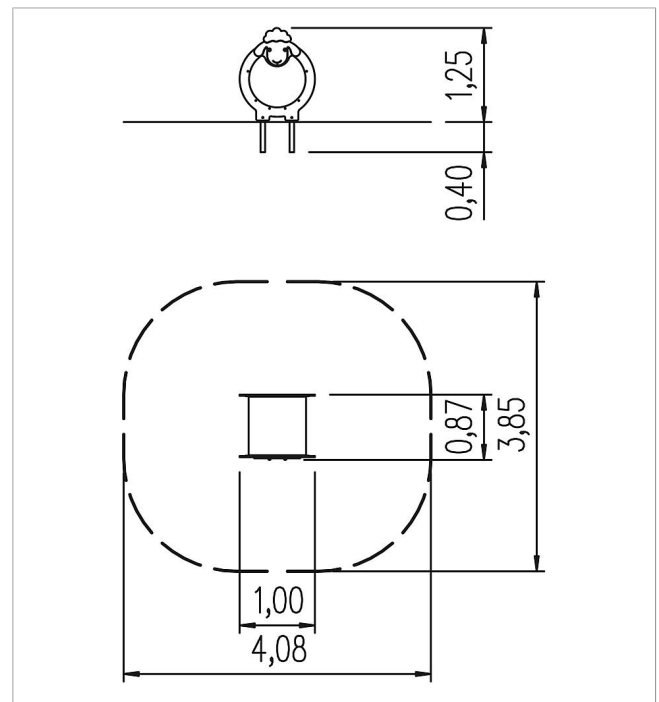
playo tunnel sheep Berta

made in germany



Scope of delivery

2x panel part: HPL
1x tunnel element: GFRP
ground anchor: galvanised steel



| | | |
|---|-----------------------|------------------|
|  | Material | GFRP, HPL |
|  | Minimum space | 4,08x3,85x2,75 m |
|  | Free falling height | 95 cm |
|  | Impact protection net | - |
|  | Foundations | 2x CF or 2x PFs |
|  | Assembly | 1 person/2 h |