



5 11 081 011 00

playo Sandpit sandy hexagon

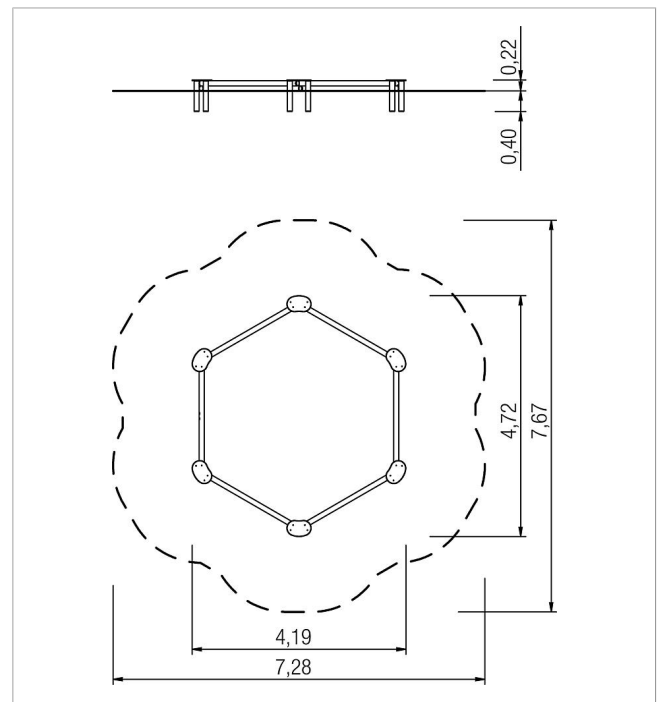
made in germany



Scope of delivery

6x palisade sand pit: soft wood (SW)

6x sand play table: high pressure laminate (HPL)



	Material	SW pi
	Foundation level	FL 1
	Minimum space	7,11x7,56x2,02 m
	Free falling height	22 cm
	Impact protection net	41,0 m ²
	Heaviest section	15 kg