

5 25 072 011 00

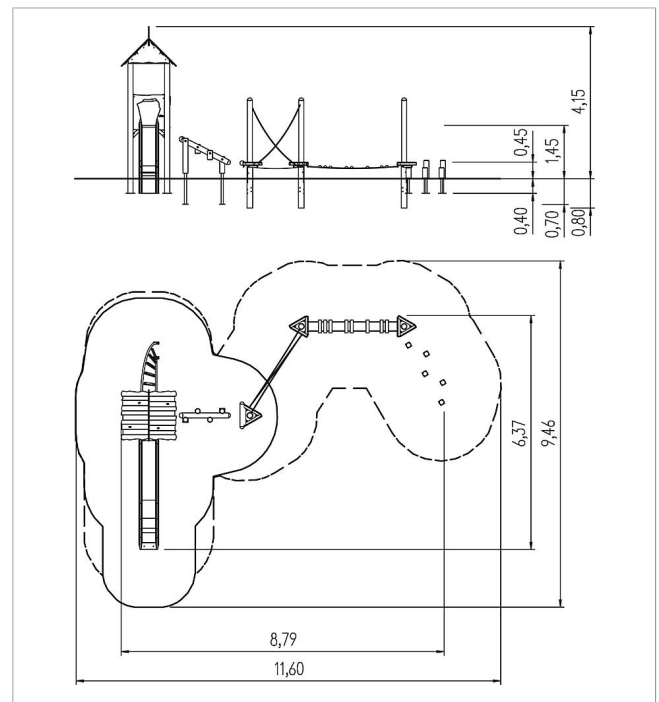
**unique play unit Shiro,
solo**

made in germany



Scope of delivery

- 4x post construction: SW or steel
- 1x platform construction: galvanised steel
- 1x platform: HPL
- 2x wall panel: SW
- 1x beam post ascent: SW
- 1x ladder twisted: stainless steel, SW
- 1x slide entry plate: HPL
- 1x roof: SW, HDPE
- 1x set of grips: steel
- 1x cable crossing: polyester-coated steel cable
- 3x island post: hardwood oiled or steel
- 3x post shoe: steel
- 3x platform: oiled hardwood
- 1x 5 palisades: hardwood oiled
- 1x post shoe: galvanised steel
- 1x pre-assembled suspension bridge: hardwood oiled, polyester-coated steel cable



	Material	SW pi
	Foundation level	FL 1
	Minimum space	11,57x9,30x4,32 m
	Free falling height	145 cm
	Impact protection net	31,0 m ²
	Foundations	16x CF or 6x PFs + 10x CF
	Assembly	2 persons/7 h