

5 25 102 011 00

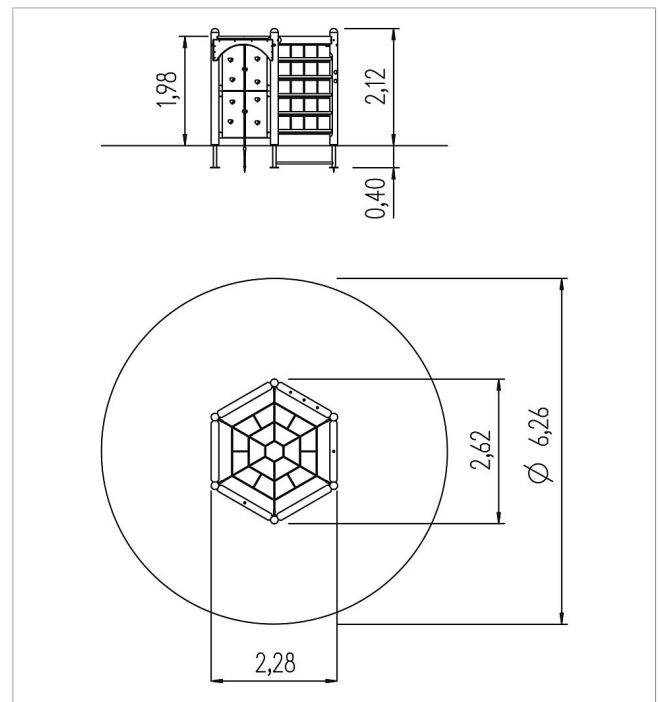
**unique hexagonal
system 210 with lying
net**

made in germany



Scope of delivery

- 1x rung element: SW, ash
- 1x swing ladder: plastic-coated steel cable, plastic
- 2x fireman's pole: steel powder-coated
- 1x climbing net: plastic-coated steel cable
- 1x climbing rope: plastic-coated steel cable
- 1x climbing panel with grips: HPL, GFRP
- 1x lying net: plastic-coated steel cable
- 1x wood structure H 210 cm: SW
- post bases: galvanised steel



	Material	SW pi
	Foundation level	FL 1
	Minimum space	Ø 6,26x3,78 m
	Free falling height	198 cm
	Impact protection net	31,0 m ²
	Foundations	8x CF or 3x PFs + 3x PFI
	Assembly	2 persons/4 h