

# Flora Play climbing unit Iris



Age indication



Fitness



Speed



Balance

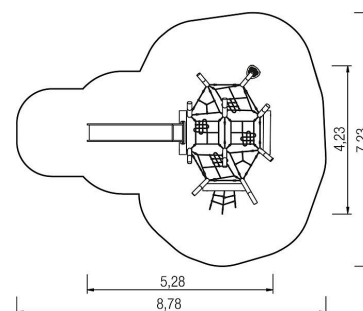
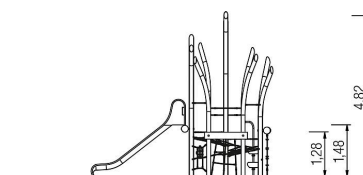


Social skills

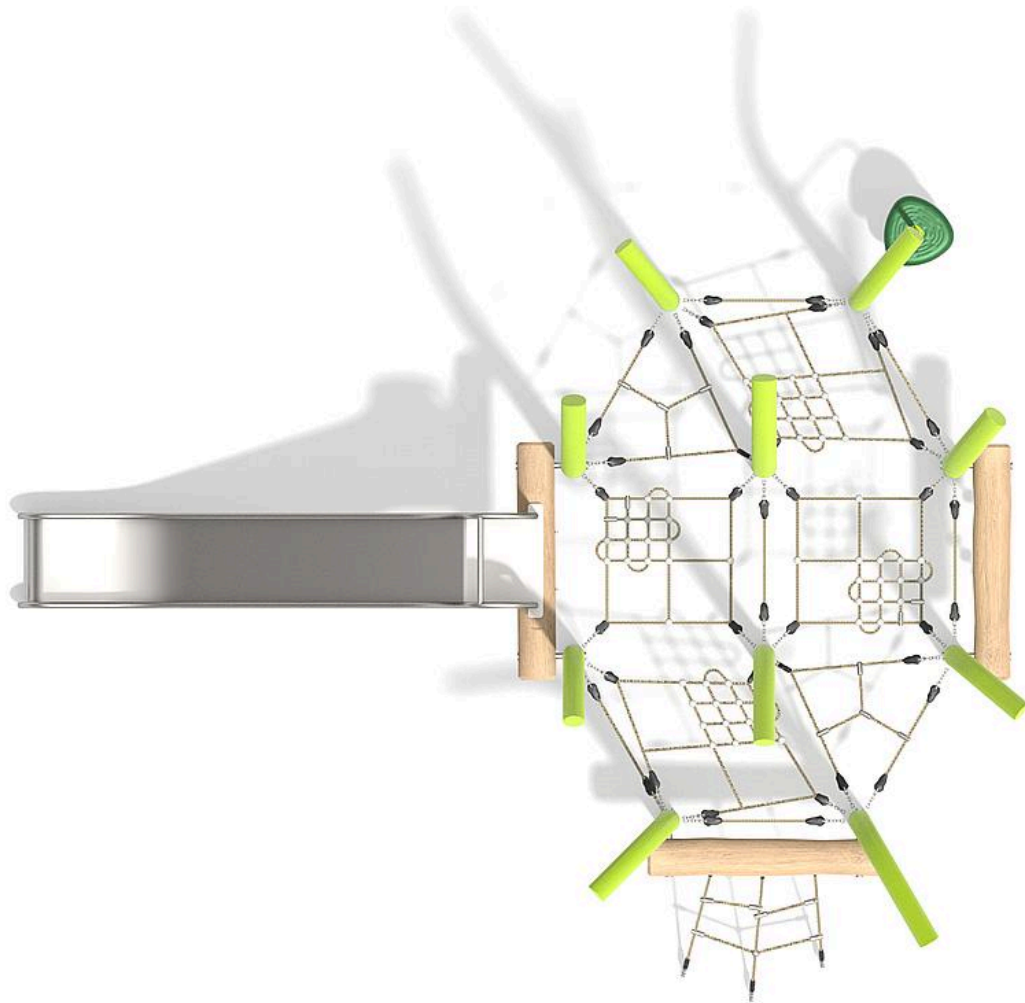
## Scope of delivery

1x climbing unit: Powder steel, robinia natural, polypropylen, polyethylen

1x slide ph 150 cm: stainless steel





# Flora Play climbing unit Iris



## Technical data

	Material	Powder steel, robinia natural, PP
	Minimum space	8,78x7,23x4,82 m
	Impact protection net	42,0 m <sup>2</sup>
	Free falling height	184 cm
	Ground constitution DE/NL/BE	at least sand
	Ground constitution all except DE/NL/BE	at least sand
	Size	5,28x4,23x4,82 m
	Largest section	561 cm
	Heaviest section	63 kg
	mx. number of users	16

## Installation information

	Foundations	13x CF
	Fundamentlevel	FL 3