

5 25 904 011 00

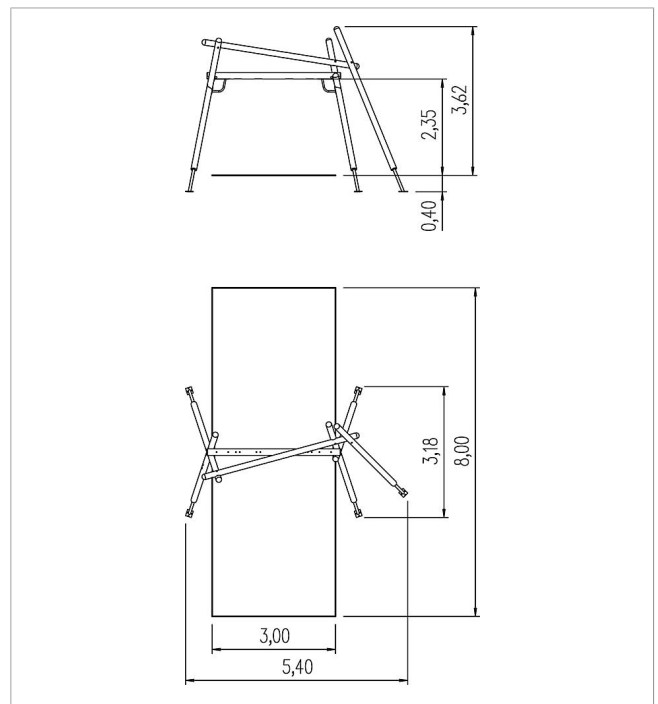
climbo double Swing frame Akina

made in germany

3+

Scope of delivery

1x swing frame: SW, galvanised steel
post shoes: galvanised steel



	Material	SW pi
	Foundation level	FL 1
	Minimum space	8,00x5,40x3,62 m
	Free falling height	149 cm
	Impact protection net	24,0 m ²
	Foundations	5x CF or 5x PFs