

5 25 909 011 00

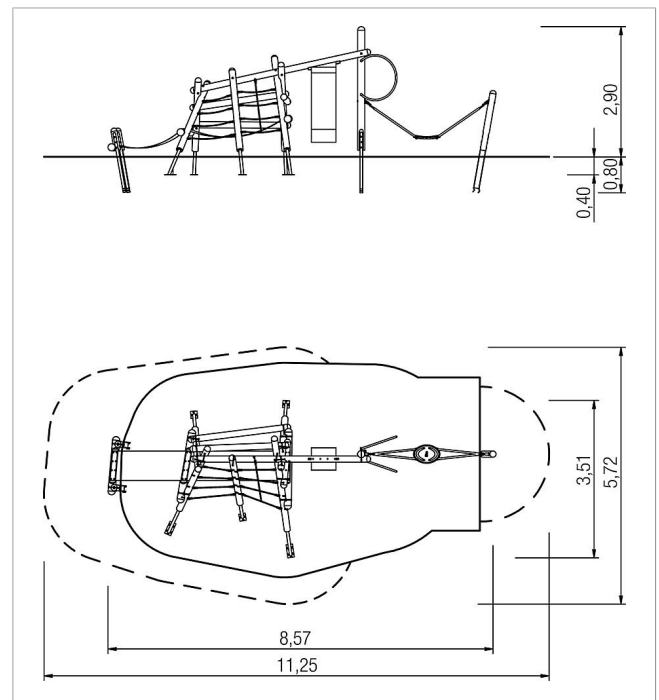
climbo climbing structure Yuna


made in germany



Scope of delivery

- 16x post structure: SW
- 9x post shoe: galvanised steel
- 1x net ascent sloped: plastic-coated steel cable, stainless steel
- 1x rope ascent sloped: plastic-coated steel cable, stainless steel
- 1x hammock: belt strap, stainless steel
- 1x loop seat: belt strap, SW, stainless steel
- 2x hinge: stainless steel
- 1x Curver seat: rubber, galvanised steel
- 2x hand rail: stainless steel



	Material	SW pi
	Foundation level	FL 1
	Minimum space	11,25x5,72x4,20 m
	Free falling height	240 cm
	Impact protection net	32,5 m ²
	Foundations	9x CF or 5x PFI + 4x CF
	Assembly	2 persons/8 h
	Largest section	Ø 14x410 cm
	Heaviest section	55 kg