

5 25 901 011 00

**climbo climbing
structure medium**

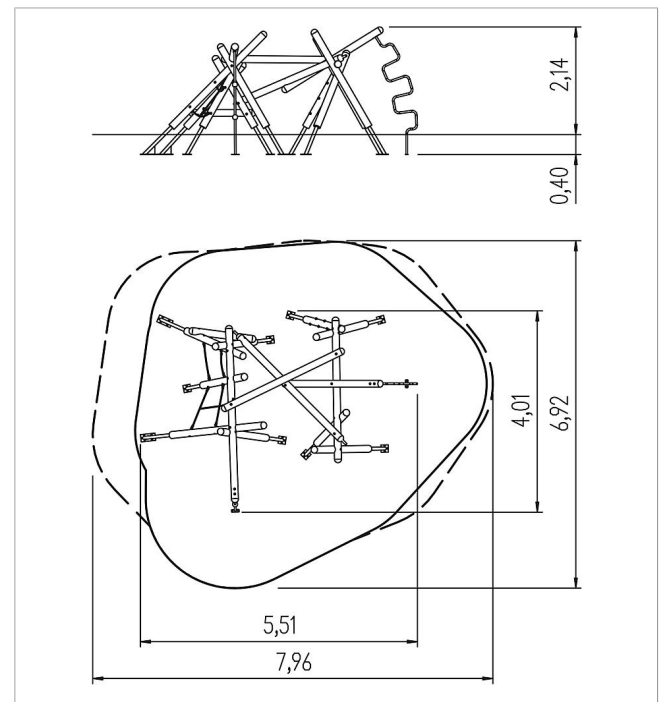
Nerea


made in germany



Scope of delivery

- 9x post construction: SW
- 9x post shoe: galvanised steel
- 6x climbing beam: SW
- 3x rope construction: polyester-coated steel cable
- 1x climbing pole sphere: stainless steel
- 1x climbing element jumble: stainless steel



	Material	SW pi
	Foundation level	FL 1
	Minimum space	7,91x6,83x2,14 m
	Free falling height	214 cm
	Impact protection net	37,0 m ²
	Foundations	11x CF or 6x PFI + 3x PFs
	Assembly	2 persons/9 h