

5 52 059 0

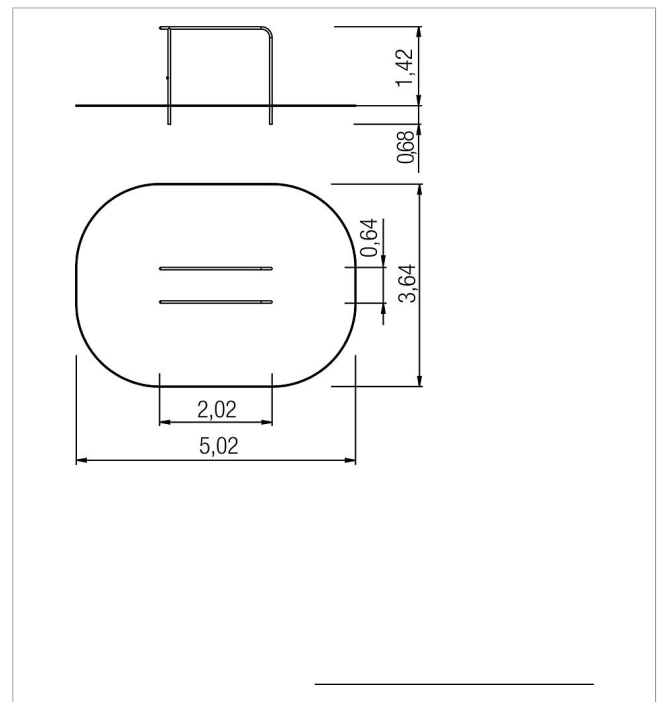
fit Calisthenics bars


made in germany

14⁺

Scope of delivery

1x bars: powder steel



	Material	Steel powder.
	Foundation level	FL 3
	Minimum space	5,02x3,64x3,62 m
	Free falling height	142 cm
	Impact protection net	17,0 m ²
	Foundations	2x CF