

5 45 435 063 00

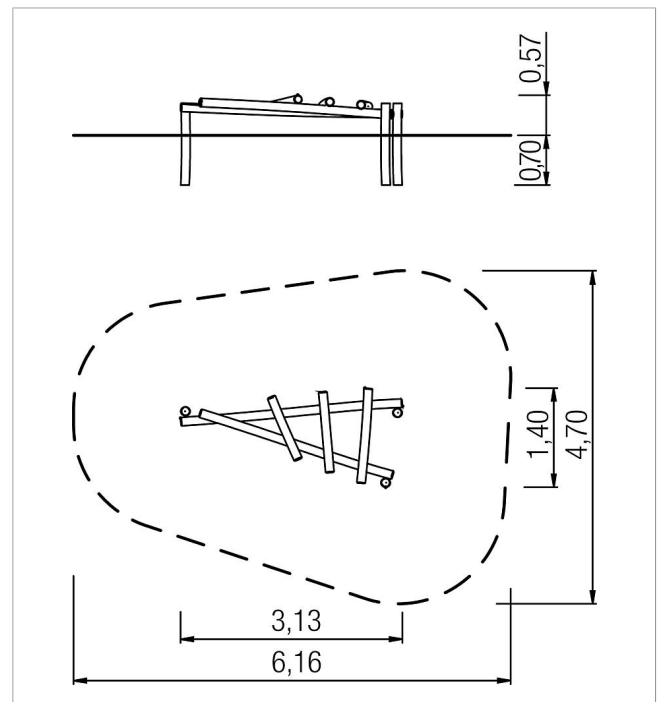
## paradiso balancing station Eira

made in germany



### Scope of delivery

3x post construction: robinia  
1x balancing element ladder bridge: robinia  
fittings: stainless steel (V2A)



	Material	Robinia natural
	Foundation level	FL 3
	Minimum space	6,16x4,70x2,37 m
	Free falling height	57 cm
	Impact protection net	-
	Foundations	3x CF
	Largest section	315x140x127 cm