

5 45 432 063 00

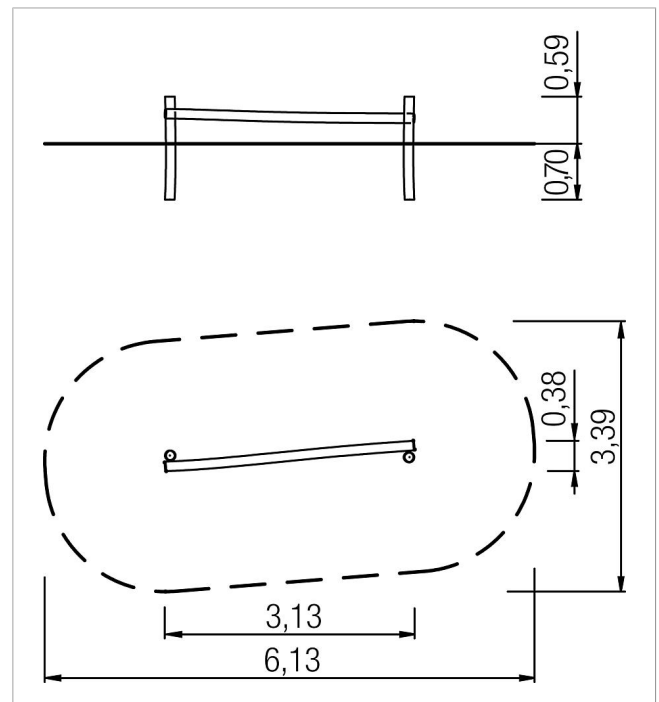
## paradiso balancing beam Bjarne





made in germany



### Scope of delivery

2x post construction: robinia  
1x balancing beam: robinia  
fittings: stainless steel (V2A)



	Material	Robinia natural
	Foundation level	FL 3
	Minimum space	6,13x3,39x2,25 m
	Free falling height	45 cm
	Impact protection net	-
	Foundations	2x CF
	Largest section	14x14x313 cm