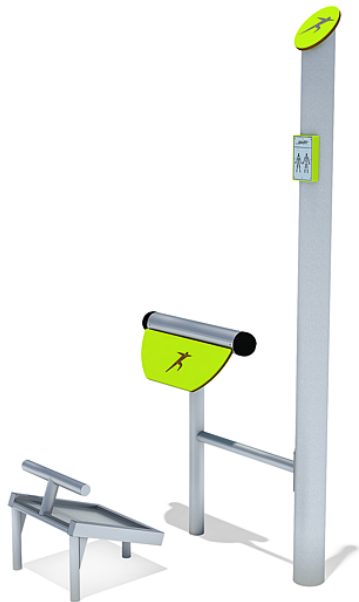


5 54 040 0

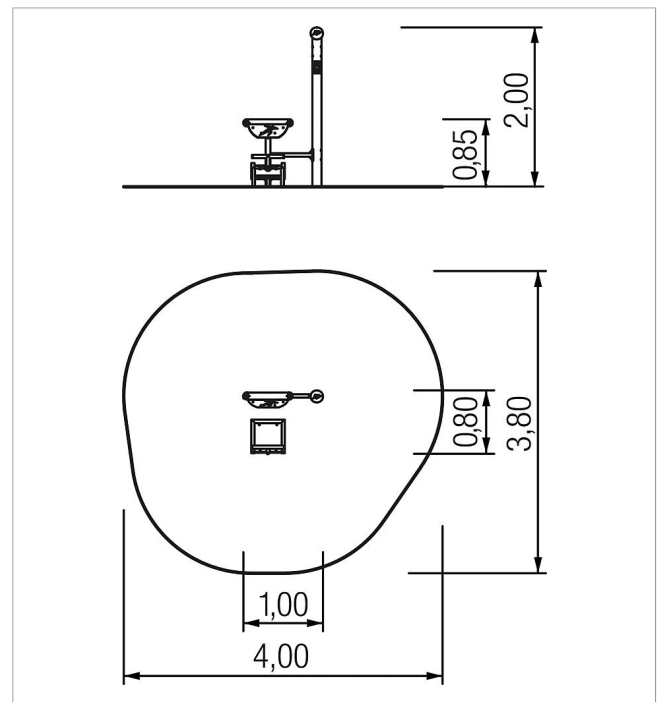
fit active-stationback back trainer





made in germany



Scope of delivery

1x active-station: stainless steel, powder-coated steel, HDPE



| | | |
|---|-----------------------|--------------------|
|  | Material | VA, HPL, HDPE |
|  | Foundation level | FL 2 |
|  | Minimum space | 3,80x4,00x3,80 m |
|  | Free falling height | 40 cm |
|  | Impact protection net | 3,0 m ² |
|  | Foundations | 1x CF |
|  | Heaviest section | 90 kg |