

5 54 032 0

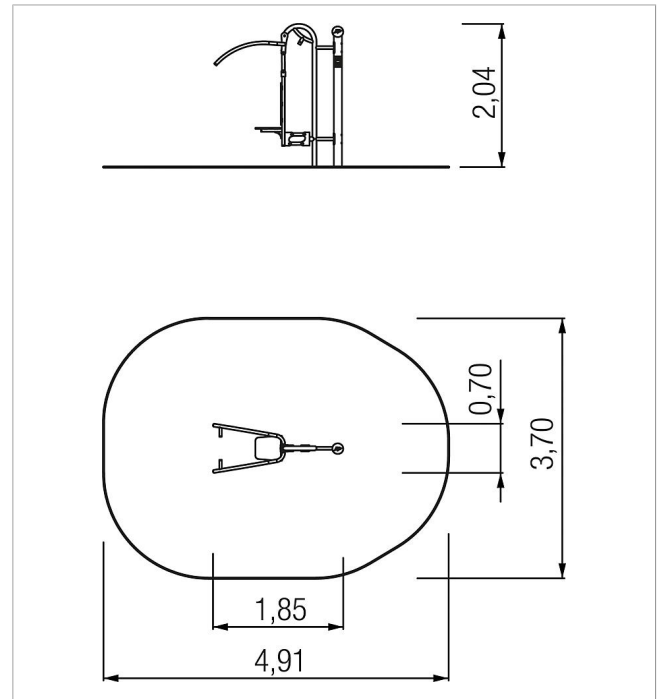
fit active-station pull down



made in germany



Scope of delivery

1x active-station: stainless steel, HDPE



	Material	Stainless steel, HDPE
	Foundation level	FL 2
	Minimum space	4,91x3,70x3,80 m
	Free falling height	72 cm
	Impact protection net	1,5 m ²
	Foundations	1x CF