

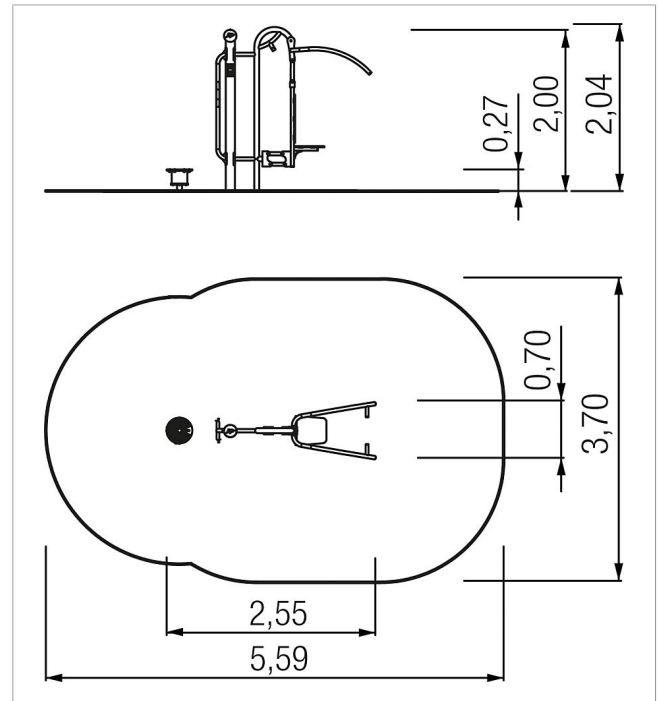
5 54 052 0



**fit active-station  
combination VI pull  
down & twist**  
made in germany



**Scope of delivery**

1x active-station combination: stainless steel, high pressure laminate (HPL), HDPE



|   |                       |                    |
|---|-----------------------|--------------------|
|  | Material              | VA, HPL, HDPE      |
|  | Foundation level      | FL 2               |
|  | Minimum space         | 5,59x3,70x3,80 m   |
|  | Free falling height   | 72 cm              |
|  | Impact protection net | 2,5 m <sup>2</sup> |
|  | Foundations           | 1x CF              |