

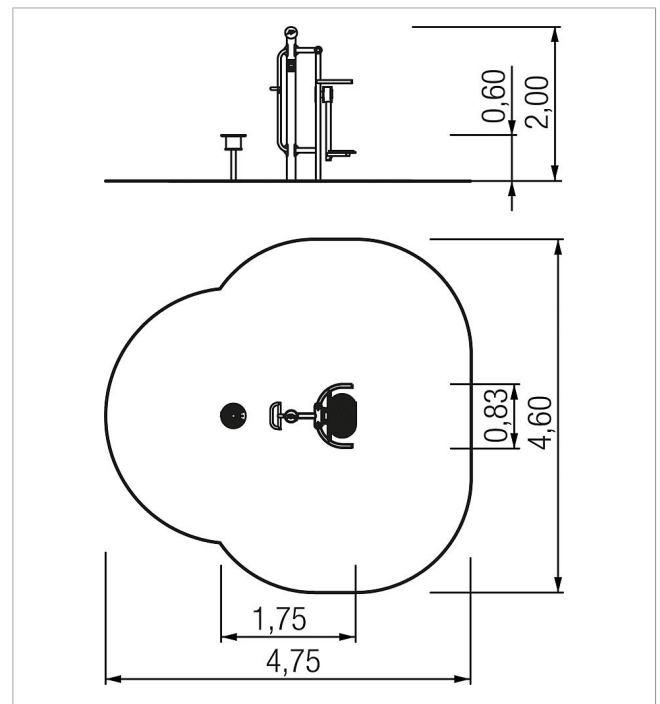
5 54 047 0

**fit active-station
combination I hips &
twist**
made in germany



Scope of delivery

1x active-station combination: stainless steel, high pressure laminate (HPL), powder-coated steel



	Material	VA, HPL, steel powder.
	Foundation level	FL 2
	Minimum space	4,75x4,60x3,80 m
	Free falling height	64 cm
	Impact protection net	2,0 m ²
	Foundations	1x CF