

5 54 044 0

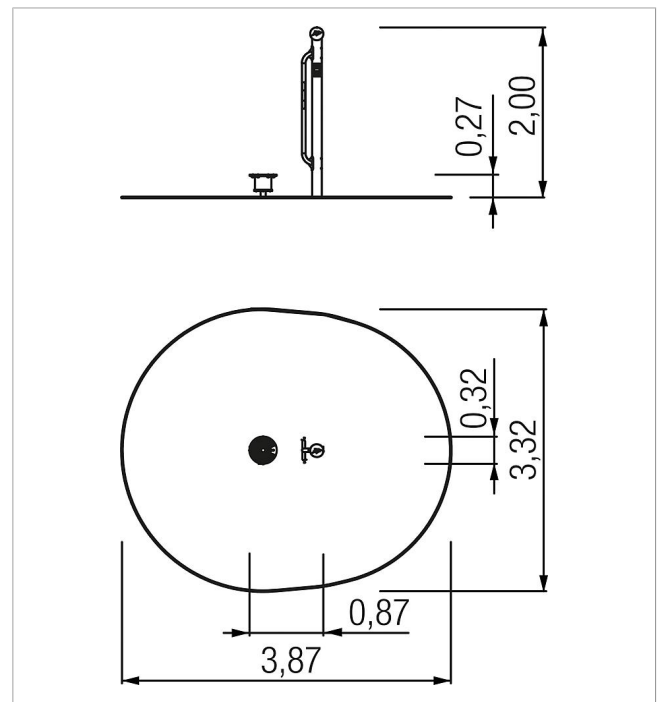
**fit active-station  
abdominal twist  
standing**

made in germany



**Scope of delivery**

1x active-station: stainless steel, HPL, powder-coated steel



|   |                       |                        |
|---|-----------------------|------------------------|
|  | Material              | VA, HPL, steel powder. |
|  | Foundation level      | FL 2                   |
|  | Minimum space         | 3,87x3,32x3,80 m       |
|  | Free falling height   | 27 cm                  |
|  | Impact protection net | 1,5 m <sup>2</sup>     |
|  | Foundations           | 1x CF                  |