

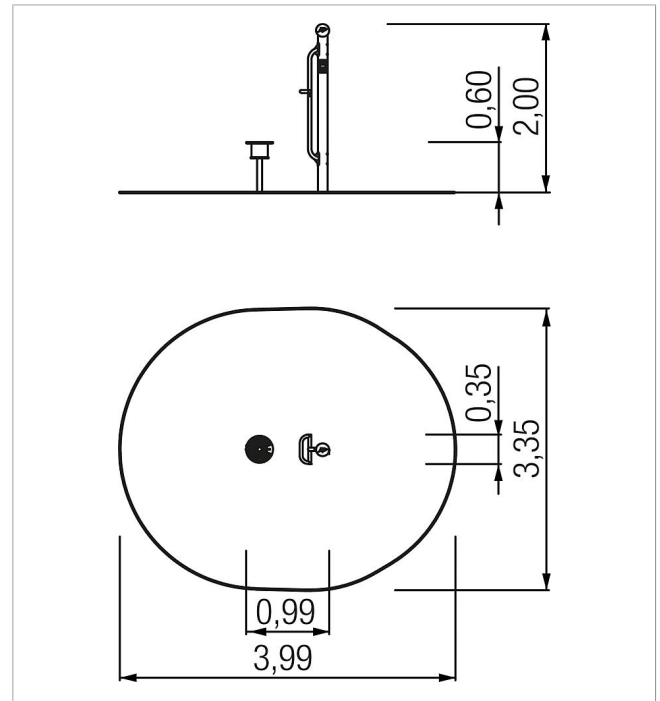
5 54 045 0

**fit active-station  
abdominal twist  
seated**  
made in germany



**Scope of delivery**

1x active-station: stainless steel, HPL, powder-coated steel



	Material	VA, HPL, steel powder.
	Foundation level	FL 2
	Minimum space	3,99x3,35x3,80 m
	Free falling height	64 cm
	Impact protection net	1,5 m <sup>2</sup>
	Foundations	1x CF