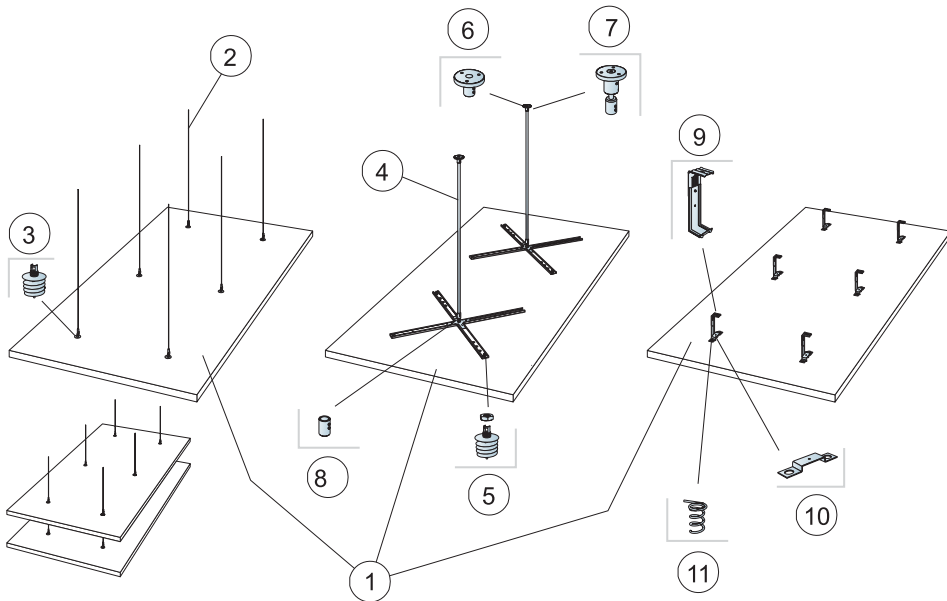
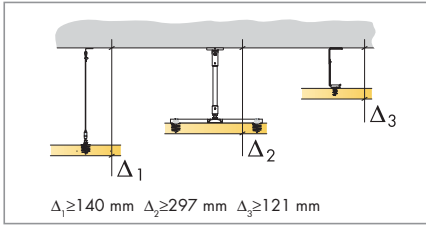


Ecophon Solo[™] Rectangle

2400x1200
M281



1. Ecophon Solo Rectangle 2400x1200

2. Connect Adjustable wire hanger

3. Connect Absorber anchor

4. Connect Rigid hanger

5. Connect Absorber anchor

6. Connect Soffit fixing

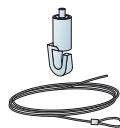
7. Connect Adjust soffit fixing

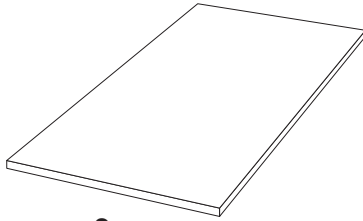
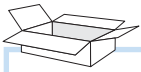
8. Connect Panel fixing

9. Connect Adjust bracket

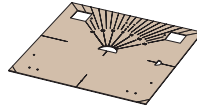
10. Connect Fixing plate

11. Connect Spiral anchor flat





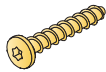
x2



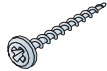
x1



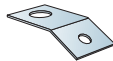
Connect Anchor screw with eye



Connect Anchor screw



Connect Installation screw MWL



Connect Fixing plate C3



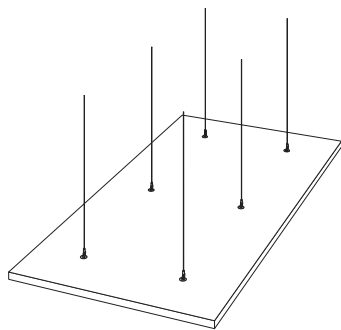
Connect Covering cup

Ecophon[®]
SAINT-GOBAIN

A SOUND EFFECT ON PEOPLE

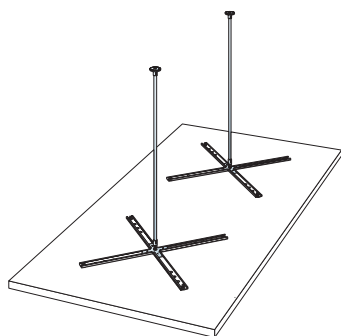
www.ecophon.com

Alt 1



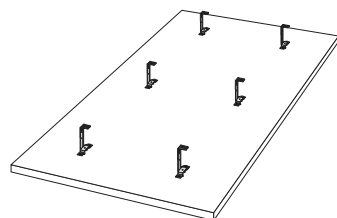
→ 1

Alt 2

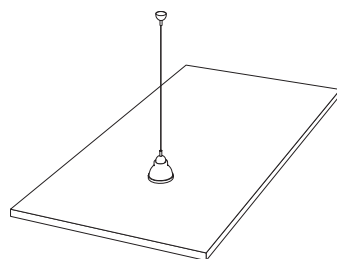


→ 11

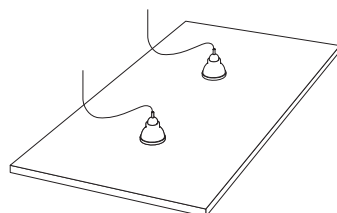
Alt 3



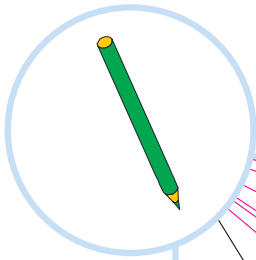
→ 21



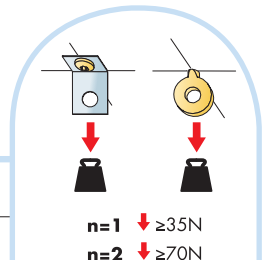
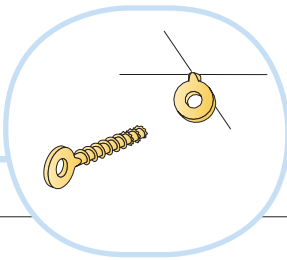
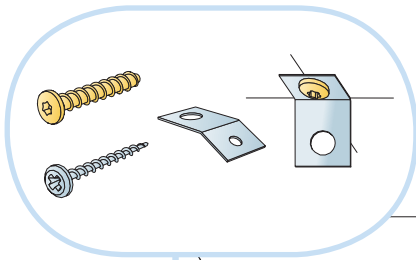
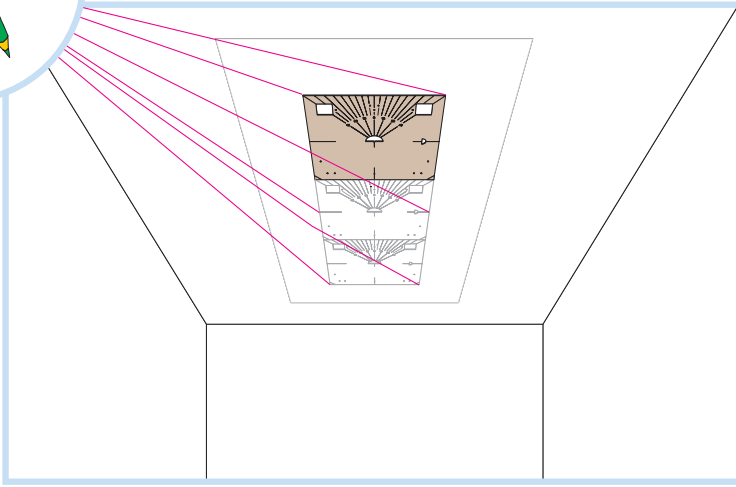
→ 27



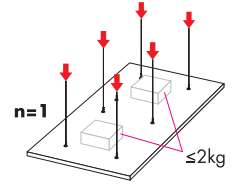
→ 31



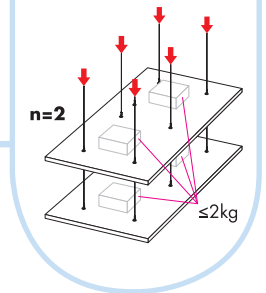
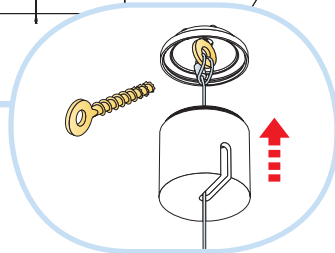
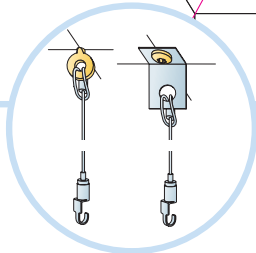
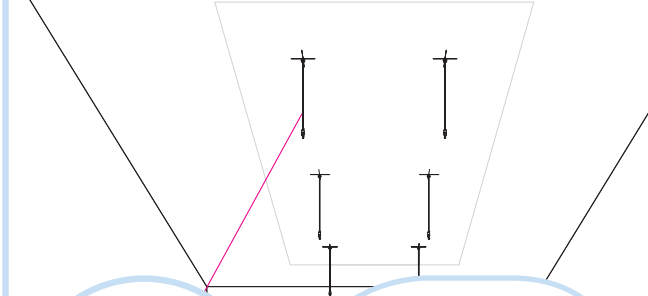
1



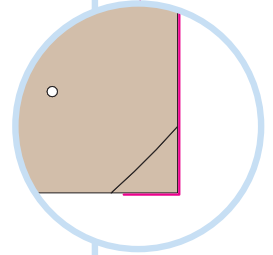
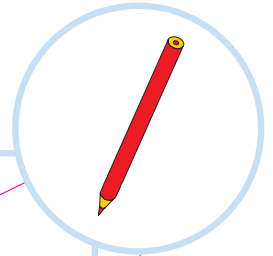
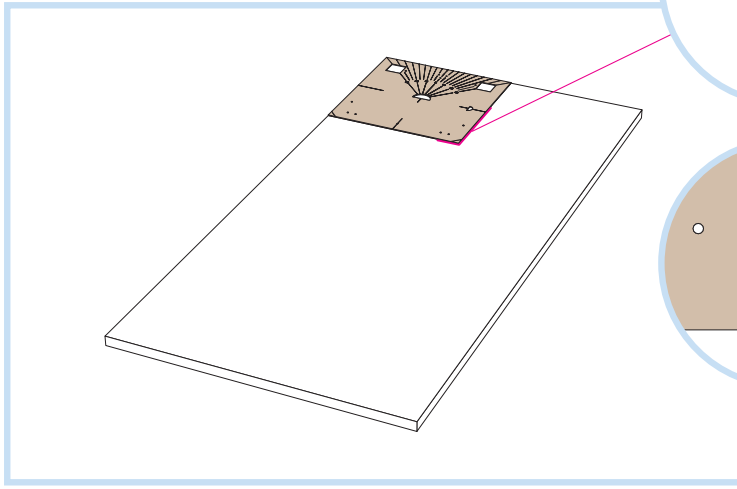
n=1 ↓ ≥35N
n=2 ↓ ≥70N
n=3 ↓ ≥105N



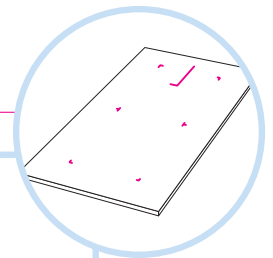
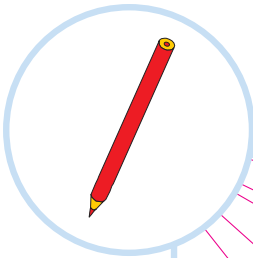
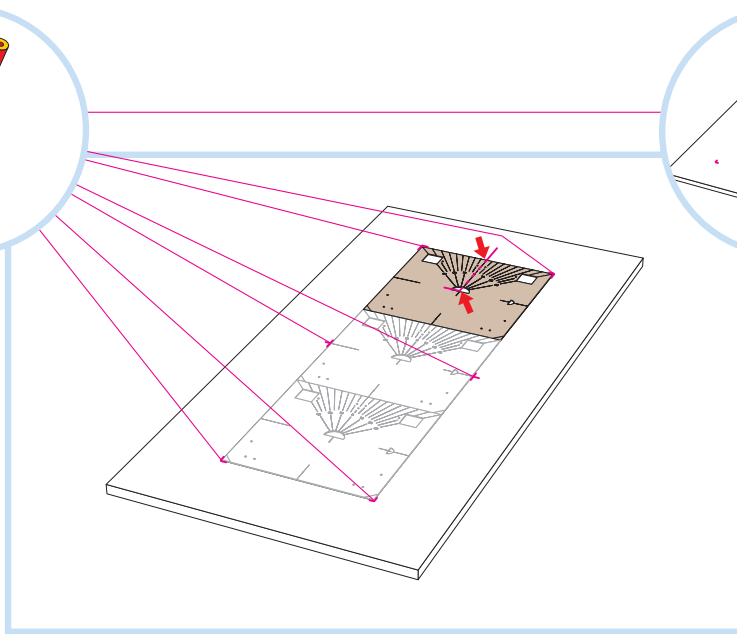
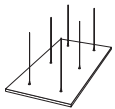
2

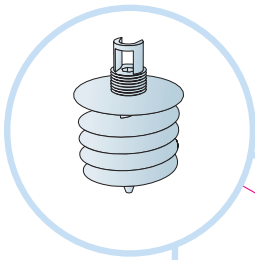


3

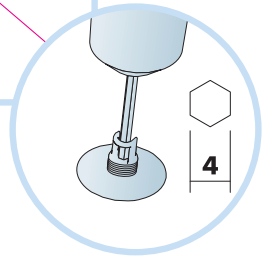
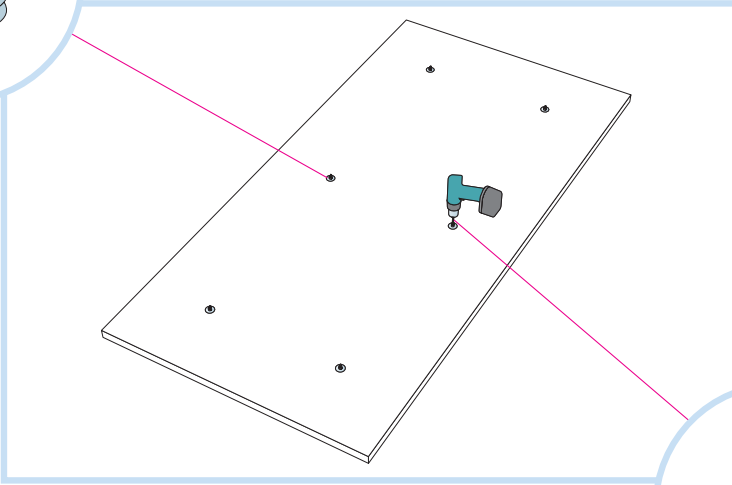


4

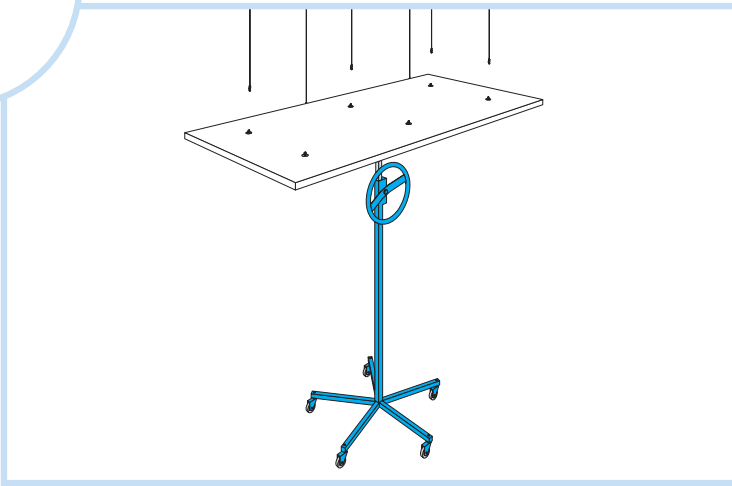
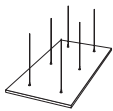


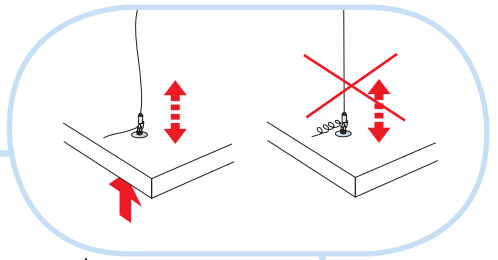
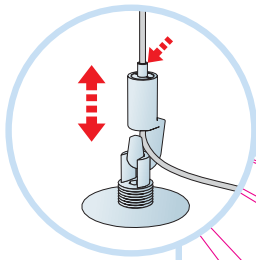


5

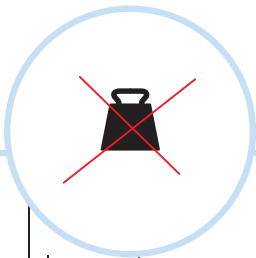
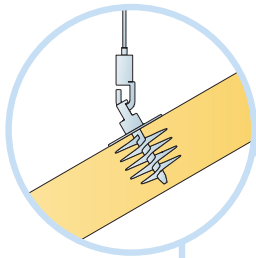
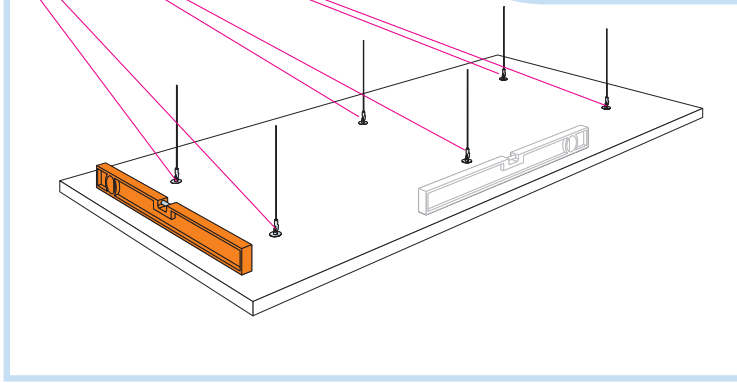


6



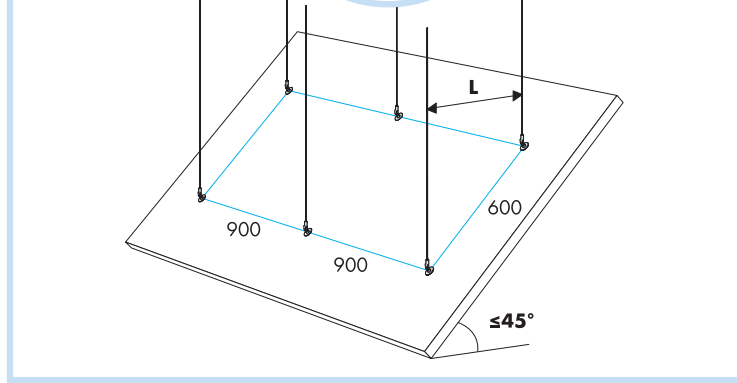


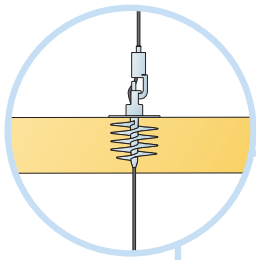
7



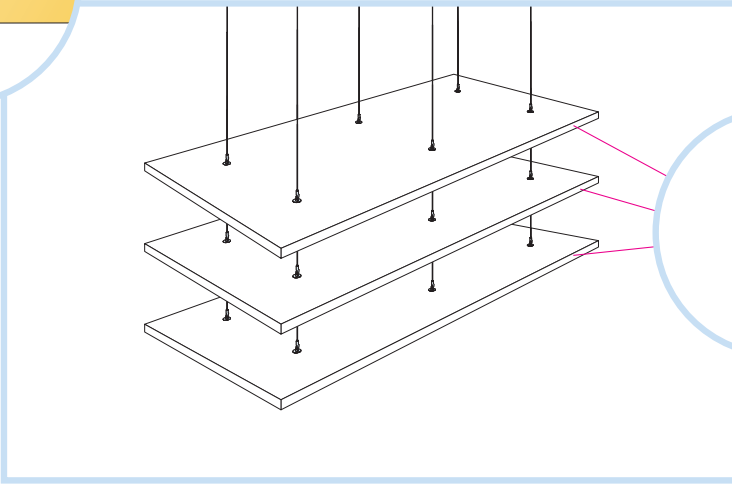
α	L
15°	580
30°	520
45°	425

8

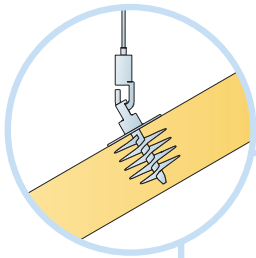




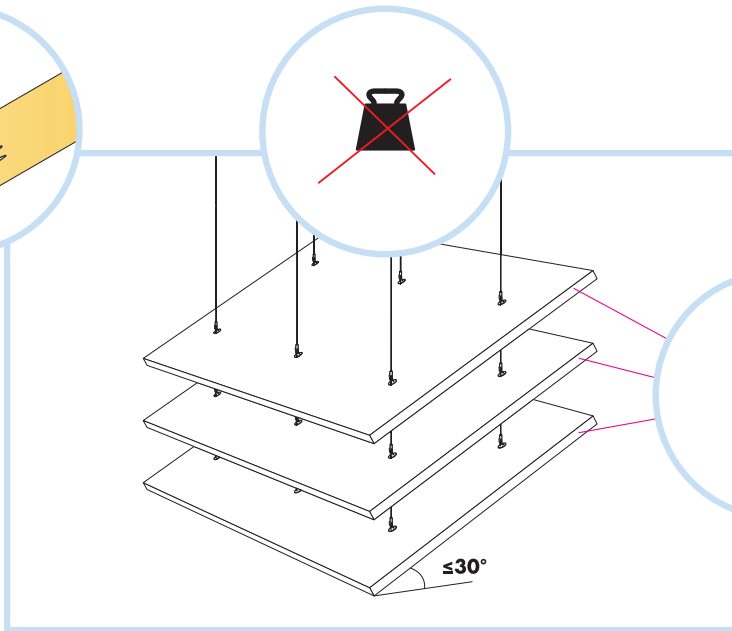
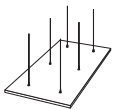
9



≤ 3

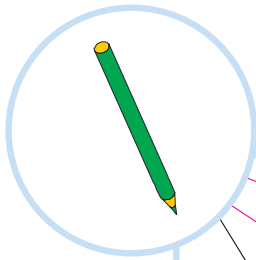


10

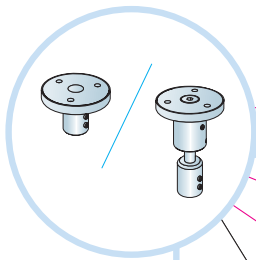
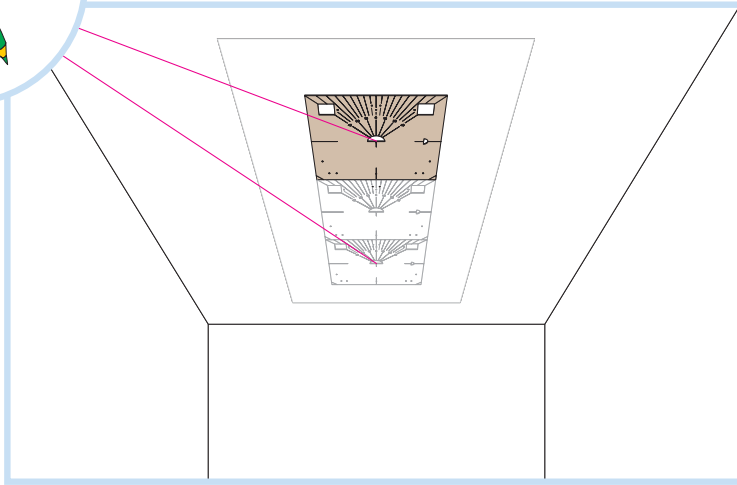


≤ 3

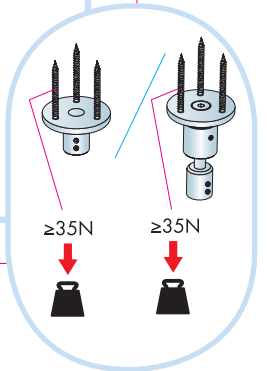
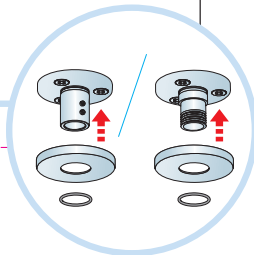
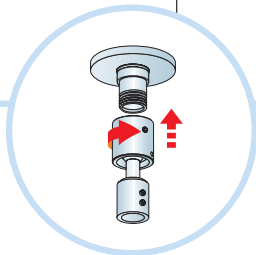
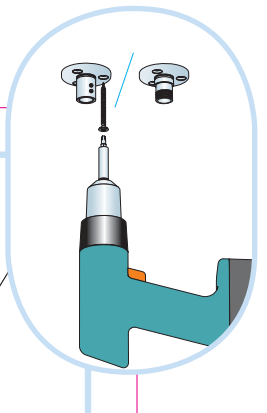
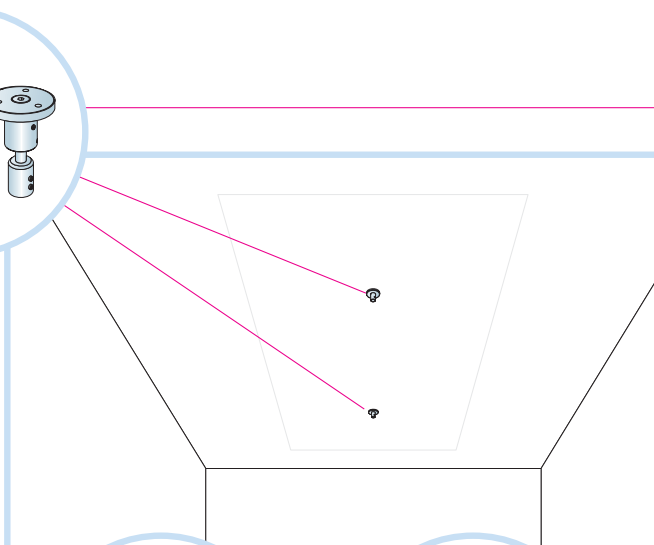
≤ 30°

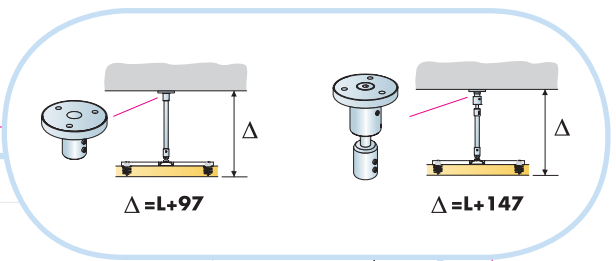
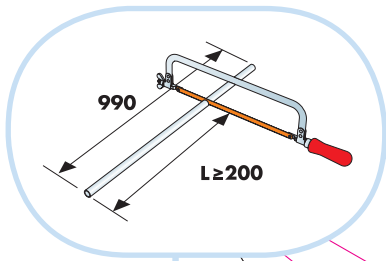


11

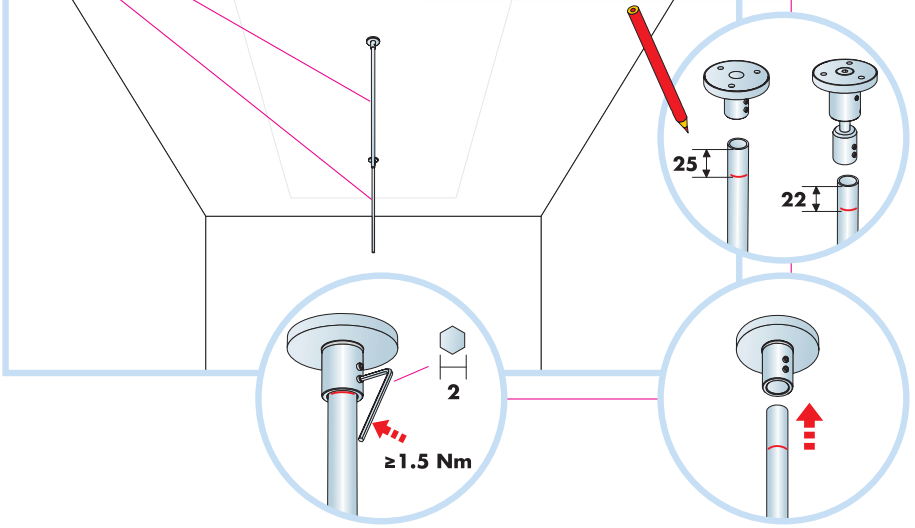


12

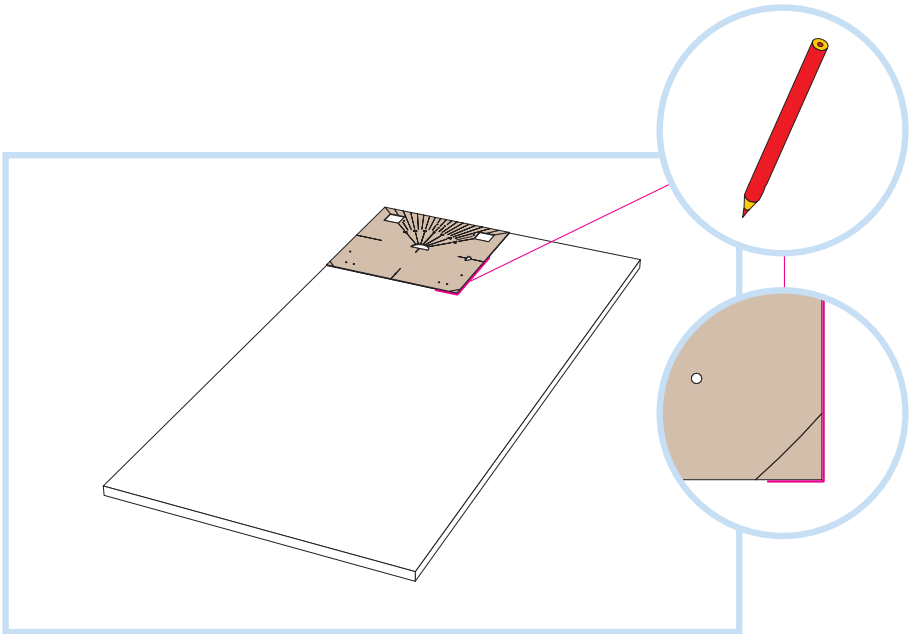


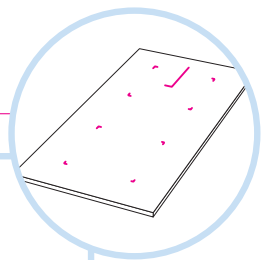
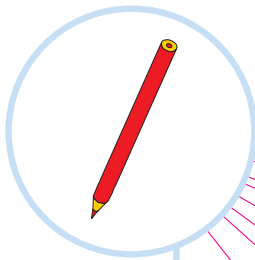


13

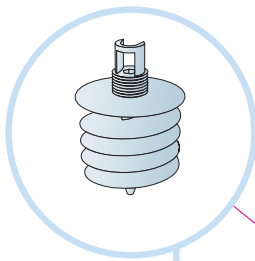
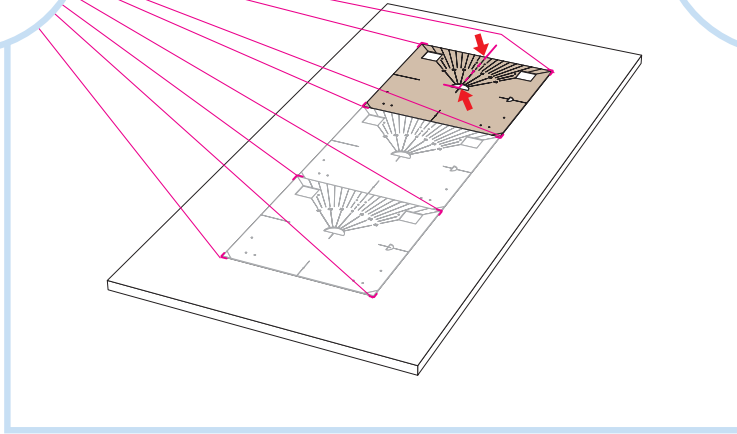


14

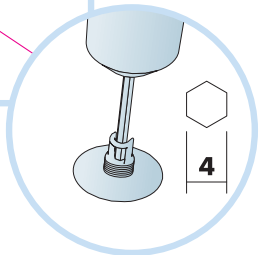
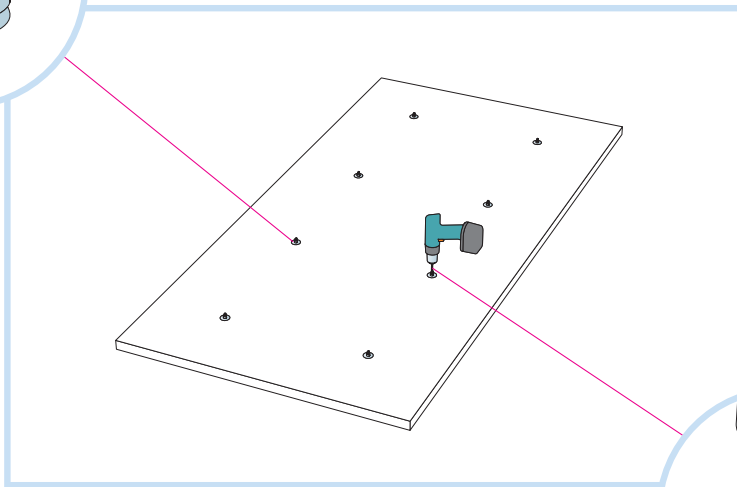


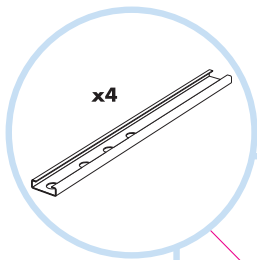


15

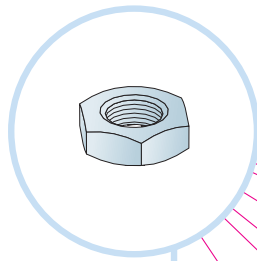
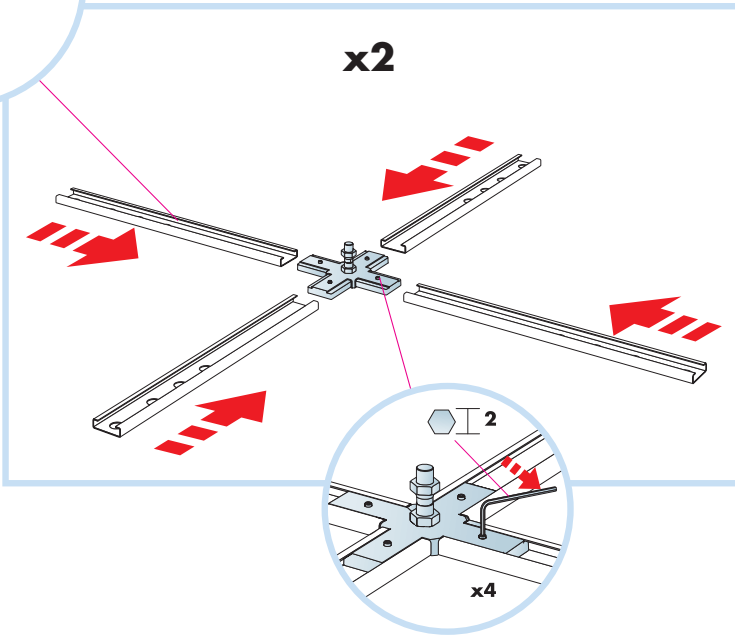


16

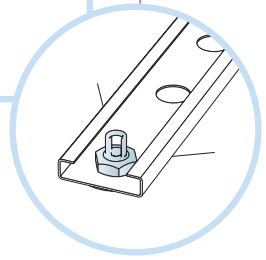
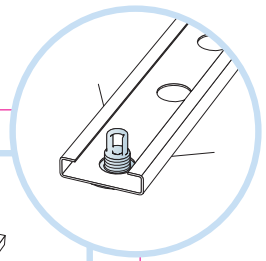
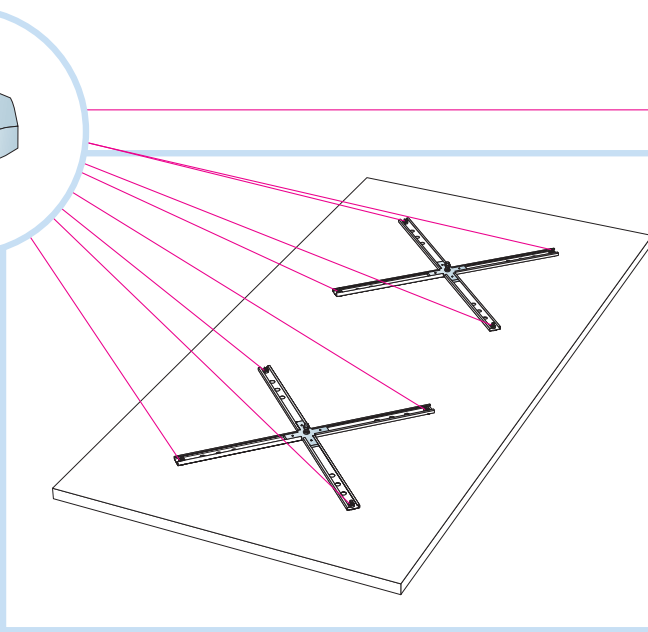


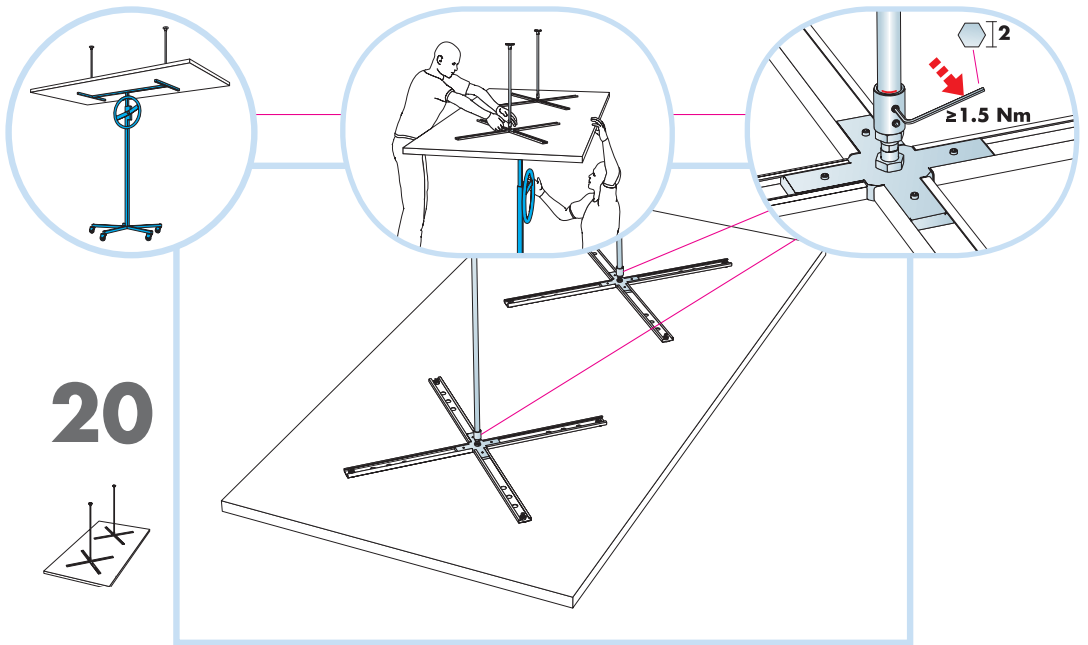
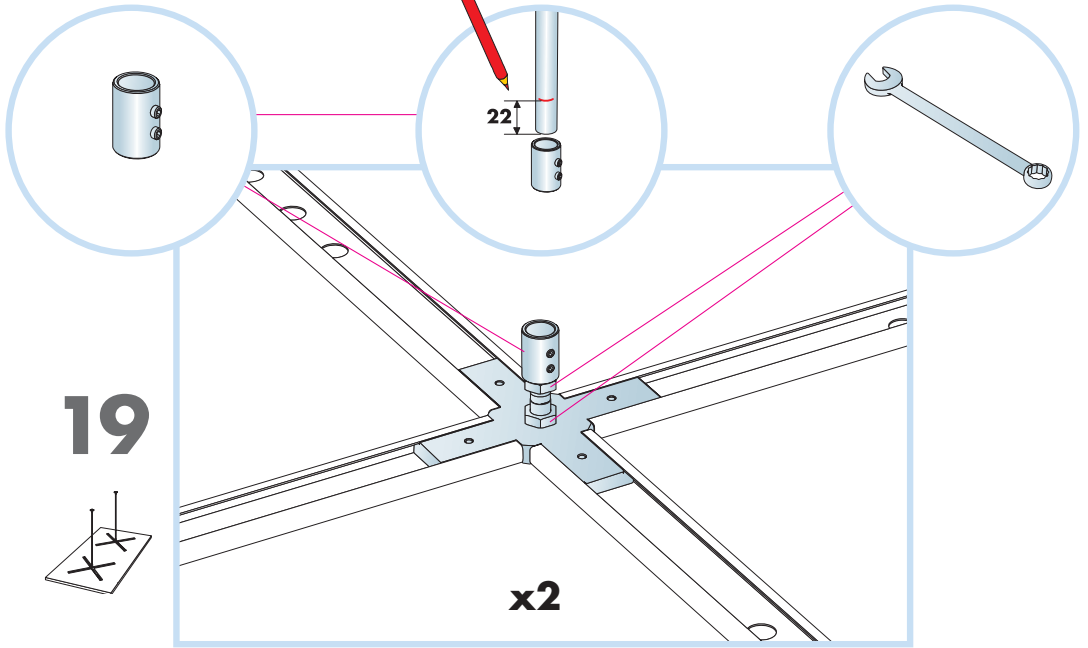


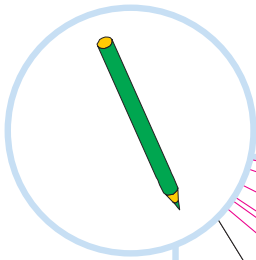
17



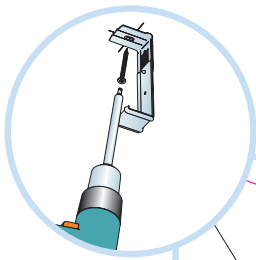
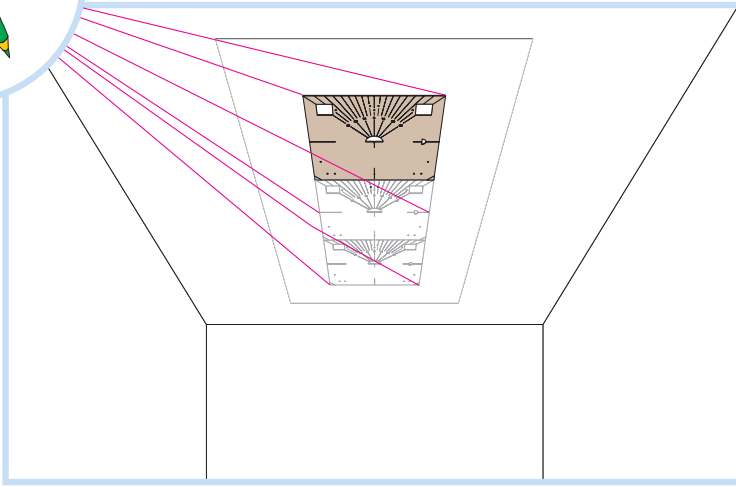
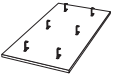
18



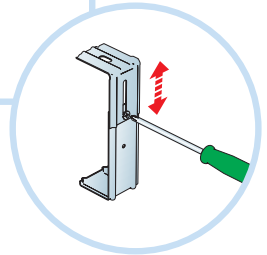
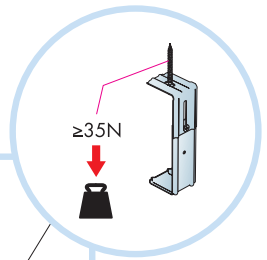
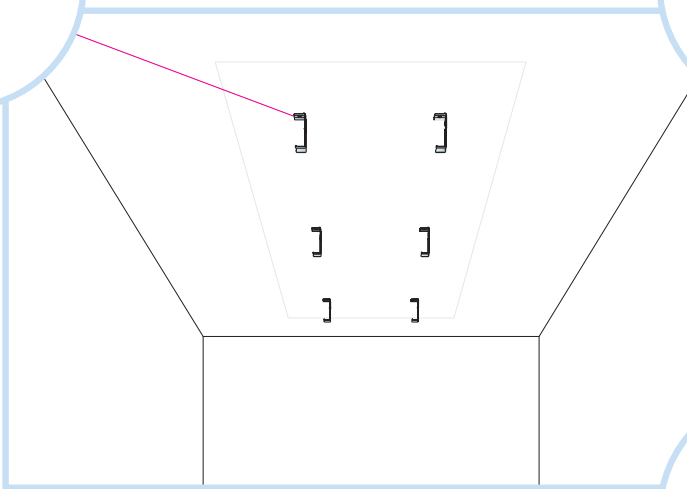
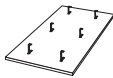




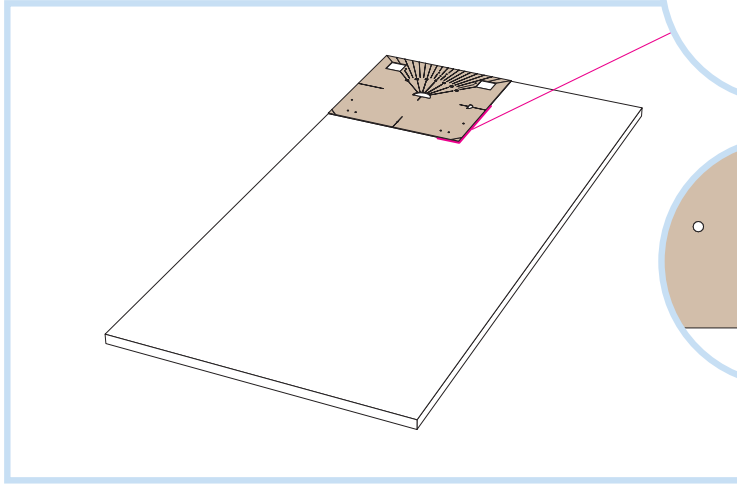
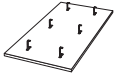
21



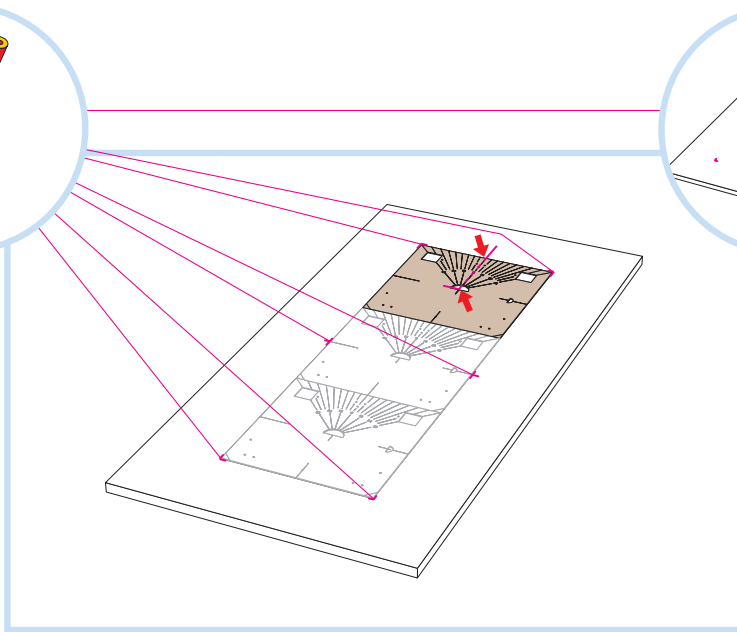
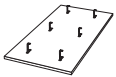
22

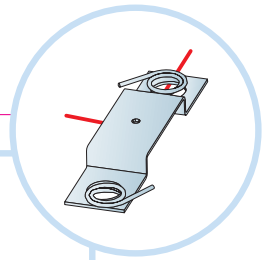
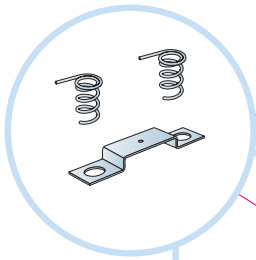


23

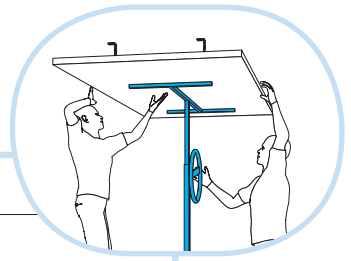
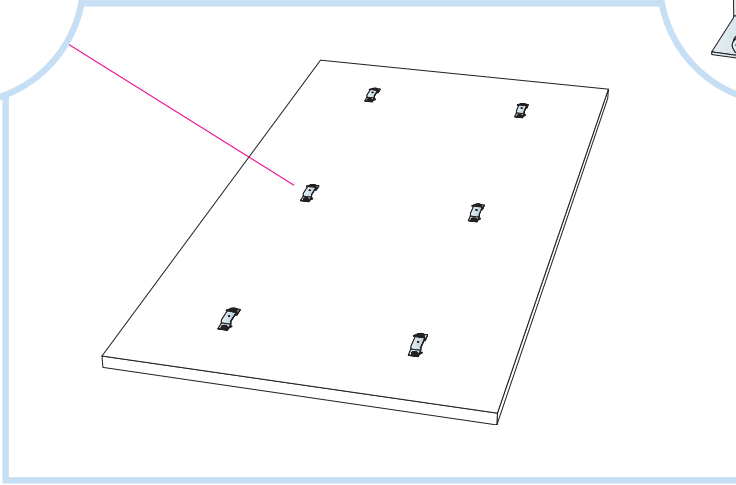
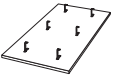


24

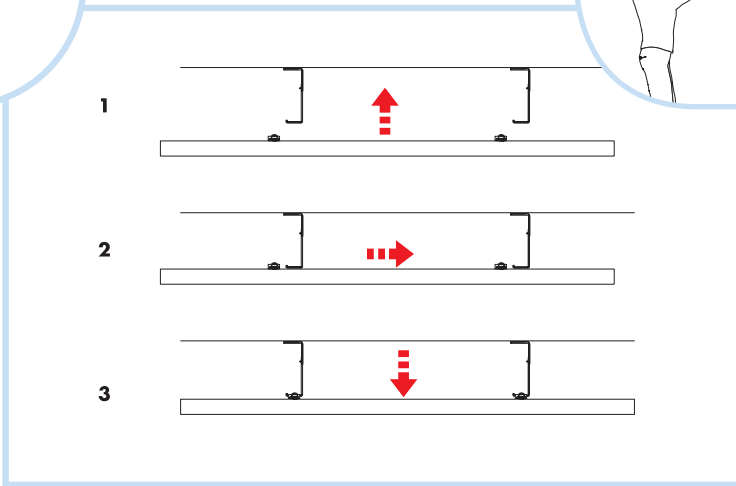
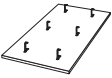


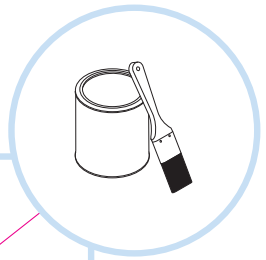
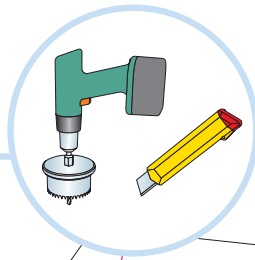
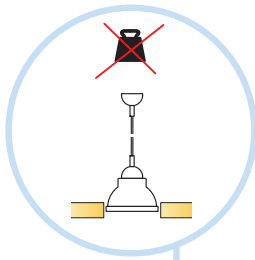


25

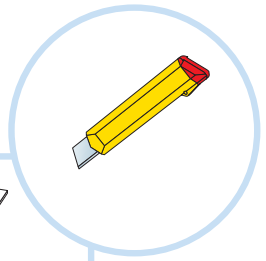
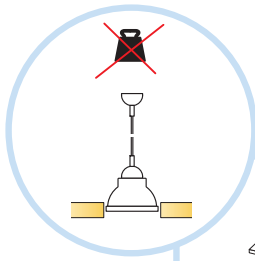
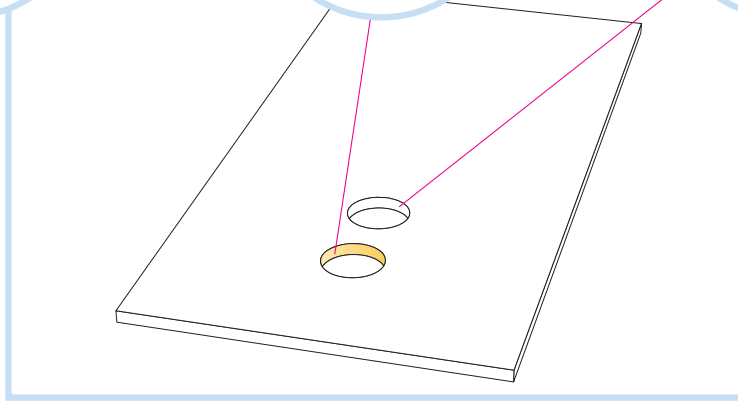


26

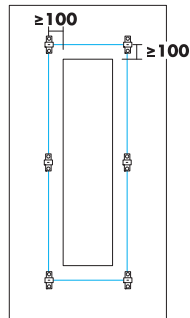
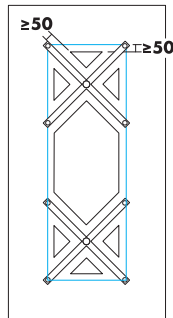
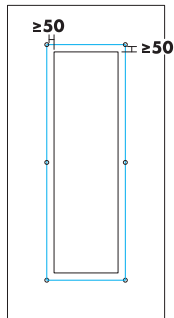
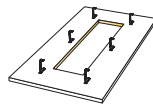
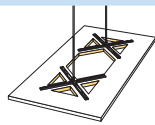
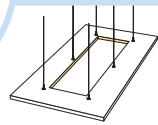


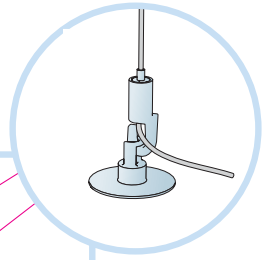
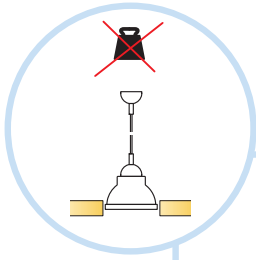


27

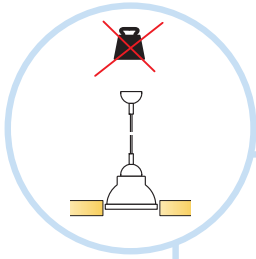
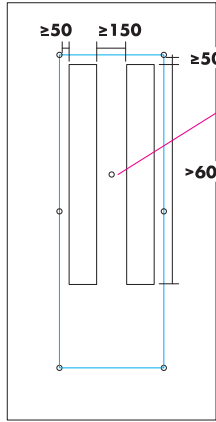


28

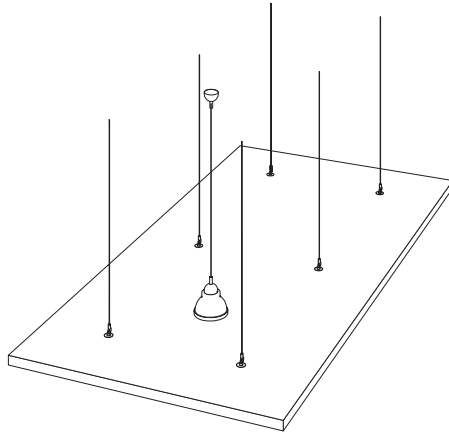


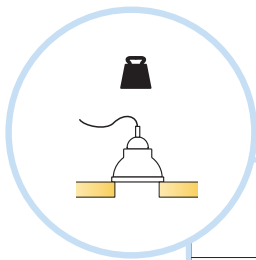


29



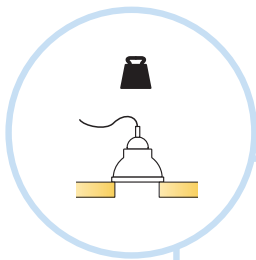
30



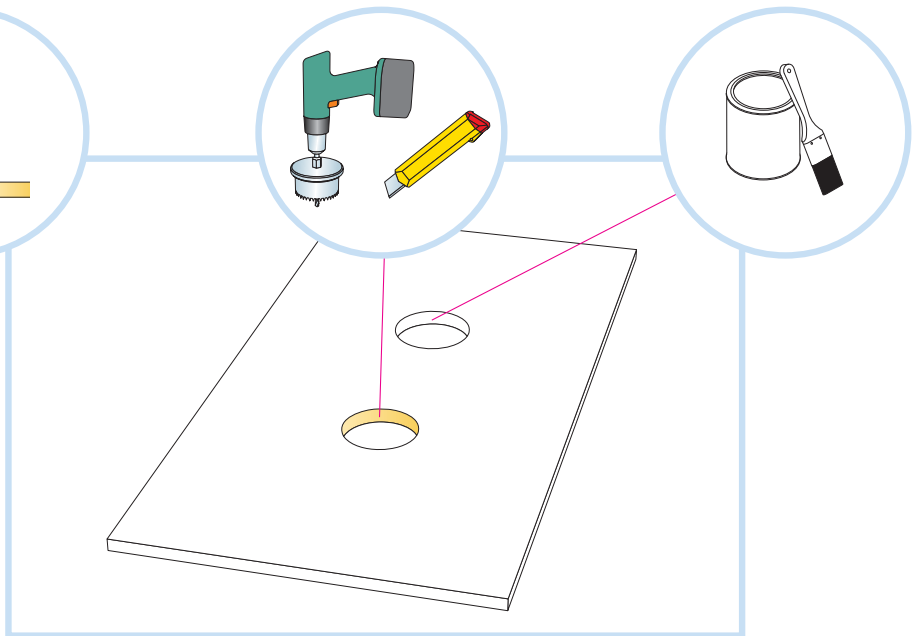


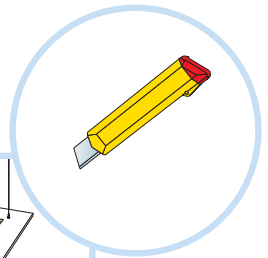
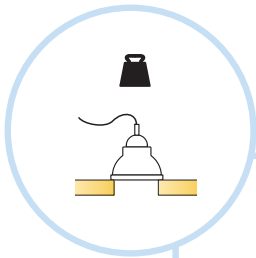
31

	$\leq 100\text{mm}$	$101-300\text{mm}$	$301-500\text{mm}$
	$\geq 150\text{mm}$	$\geq 150\text{mm}$	$\geq 400\text{mm}$
	$\leq 0,5\text{kg}$	$\leq 2,0\text{kg}$	$\leq 2,0\text{kg}$
	$\leq 4,5\text{kg}$	$\leq 4,5\text{kg}$	$\leq 4,5\text{kg}$

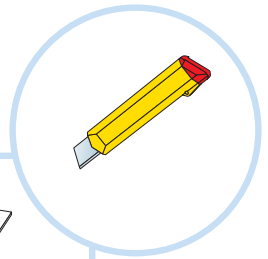
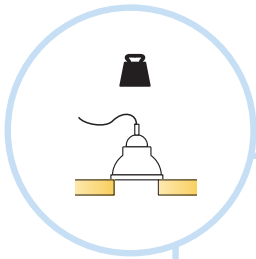
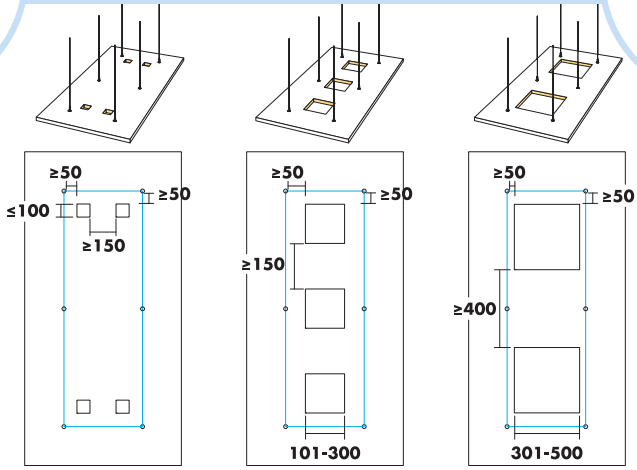


32

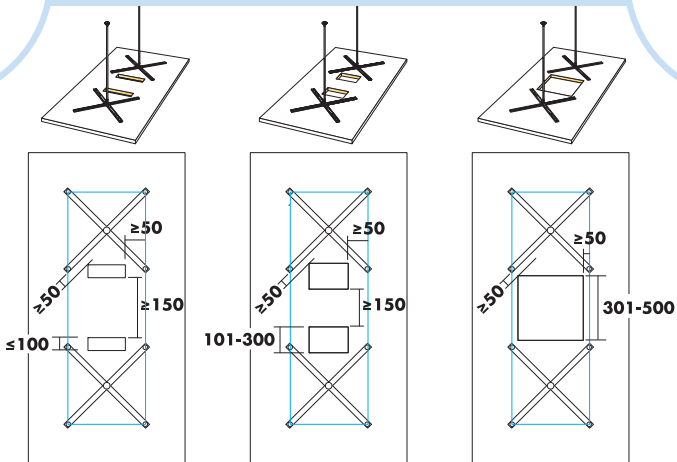


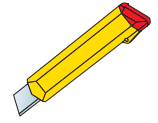
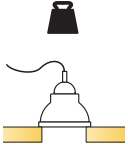


33

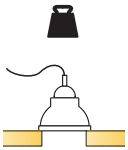
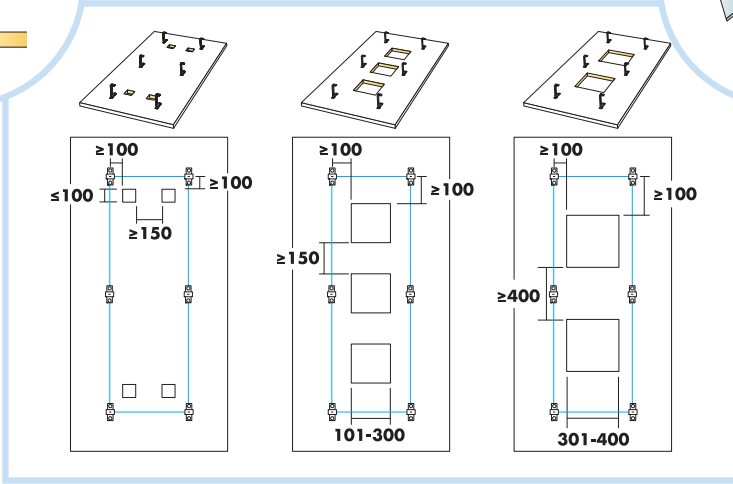


34





35



36

