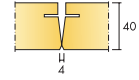




# Ecophon Akusto™ Wall C



For use as wall absorbers together with, or instead of, a sound absorbing ceiling, to achieve excellent acoustic properties in the room. Ecophon Akusto™ Wall C has a concealed grid and the bevelled edges create a narrow groove between each panel. The system provides extensive design possibilities.

The system consists of Ecophon Akusto™ Wall C panels and Ecophon Connect profile systems with an approximate weight of 5 kg/m<sup>2</sup>. The panels are manufactured from high density glass wool utilizing the 3RD Technology. The visible surface has a glass fibre fabric (Texona) or an impact resistant glass fibre fabric (Super G), and is also available with a painted surface (Akutex™ FT). The back of the panel is covered with glass tissue. The edges are painted, and the front surface is partly covering the long edges. Akusto™ Wall C panels are 2700x600x40mm

For best performance and system quality, use Ecophon Connect profiles and accessories, which give a lot of design possibilities. The profiles are manufactured from extruded aluminium.



Akusto Wall C



Section of Akusto Wall C System



Akusto Wall C system with Connect WP profile and external corner



Akusto Wall system with Connect Thinline profiles

## SYSTEM RANGE

Size, mm	2400 x 600	2700 x 600
Thinline Profile	•	•
WP Profile	•	•
Thickness	40	40
Inst. Diagr.	M354, M355, M303, M356	M354, M355, M235, M303, M356

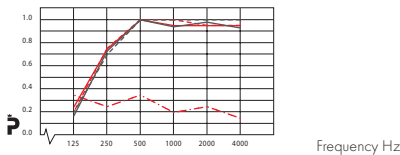
## TECHNICAL PROPERTIES

### ACOUSTIC

Sound Absorption: Test results according to EN ISO 354.

Classification according to EN ISO 11654, and the single value ratings for NRC and SAA according to ASTM C 423.

$\alpha_p$  Practical sound absorption coefficient



--- Ecophon Akusto™ Wall C/Texona 40 mm o.d.s  
 - - - Ecophon Akusto™ Wall C/Super G 40 mm o.d.s  
 - Ecophon Akusto™ Wall C/Akutex FT 40 mm o.d.s  
 - Ecophon Akusto™ Wall C/Muralis 50 mm o.d.s  
 - - - Ecophon Akusto™ Wall C/Texona gamma 40 mm o.d.s  
 o.d.s = overall depth of system

Product	Akutex FT	Super G	Texona	Muralis	Texona/gamma
o.d.s mm	40	40	40	50	40
absorption class	A	A	A	A	E
$\alpha_{wv}$	1,00	1,00	1,00	0,95	0,25

Sound Insulation: Not applicable.

Sound Privacy: AC=240 according to ASTM E 1376 and E 1110



**ACCESSIBILITY** The tiles are not demountable except in selected installation diagrams. See quantity specification for more information.



**CLEANABILITY** Daily dusting, vacuum cleaning and weekly wet wiping (Super G and Akutex FT surface). Weekly dusting and vacuum cleaning (Texona) as required.



**VISUAL APPEARANCE** Akusto Wall in white has high light reflectance. Light reflectance and nearest NCS colour sample for all the different colours: See Ecophon Colours and surfaces.



**INFLUENCE OF CLIMATE** The panels withstand a permanent ambient RH up to 95% at 30°C (Super G and Akutex FT surfaces) and RH up to 75% at 30°C (Texona) without sagging, warping or delaminating (EN 13964). Thermal resistance for the panels,  $R_p=1,0 \text{ m}^2\text{C/W}$ . Since a wall absorber mounted on an external wall serves as additional insulation, the need for a vapour barrier should be investigated.



**INDOOR CLIMATE** Certified by the Indoor Climate Labelling, emission class M1 for building materials and recommended by the Swedish Asthma and Allergy Association.



**ENVIRONMENTAL INFLUENCE** Glass wool core utilising 3RD Technology. Granted the Nordic Swan eco-label. Fully recyclable.



**FIRE SAFETY** The glass wool core of the tiles is tested and classified as non-combustible according to EN ISO 1182.

Reaction-to-fire classification

Country	Standard	Class
Europe	EN 13501-1	A2-s1,d0

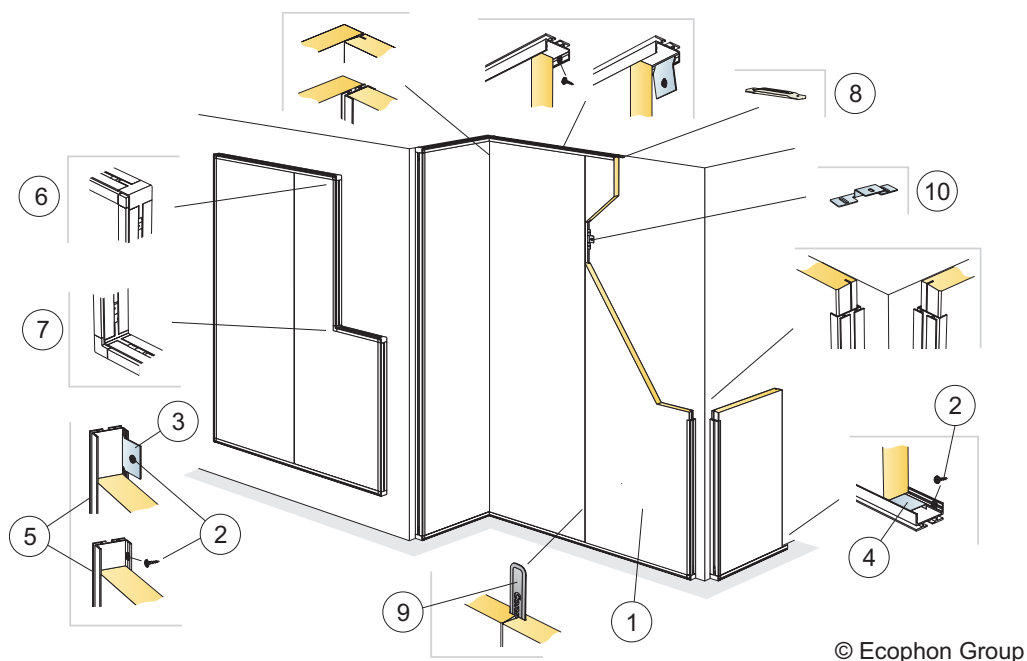


**MECHANICAL PROPERTIES** M354 and M355 with Super G surface are tested according to EN 13964 annex D and DIN 18032 part 3 and fulfils the demands corresponding to class 1A. Please note: Where the panels are subjected to frequent blows and impacts e.g. behind goal mouths, protection in form of e.g. restraining nets or wooden slats is required. No additional live load is allowed.



**INSTALLATION** Installed according to installation diagrams, installation guides and drawing aid. For information regarding minimum overall depth of system see quantity specification. The systems should not be placed behind goals or similar areas where they are likely to be hit regularly. In such cases a protective net in front of the system is recommended.

## INSTALLATION DIAGRAM (M354) FOR ECOPHON AKUSTO WALL C VERTICAL INSTALLATION

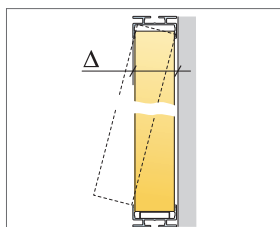


© Ecophon Group

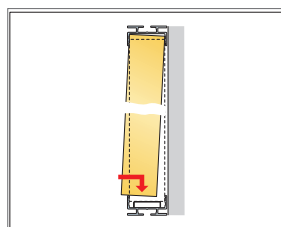
### QUANTITY SPECIFICATION (EXCL. WASTAGE)

	Size, mm	
	2400x600	2700x600
1 Akusto Wall C	0,69/m <sup>2</sup>	0,62/m <sup>2</sup>
2 Connect Installation screw MVL (for use in plasterboard or timber)	as required	as required
3 Alt. Connect Fixing bracket, fixed at 400 mm centres.	as required	as required
4 Connect WP Space bar, L=2400 mm	as required	as required
5 Connect WP Profile, L=2687 mm, fixed at 400 mm centres	as required	as required
6 Connect WP External corner mounted in Connect WP Profile	as required	as required
7 Connect WP Internal corner mounted in Connect WP Profile	as required	as required
8 Connect WP Profile splice, used to extend WP profiles where needed.	as required	as required
9 Connect Spline	as required	as required
10 Connect Fixing plate is mounted at 500 mm centres	as required	as required

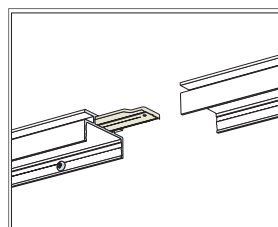
Δ Min. overall depth of system: 44 mm



See Quantity specification



Detail of installation

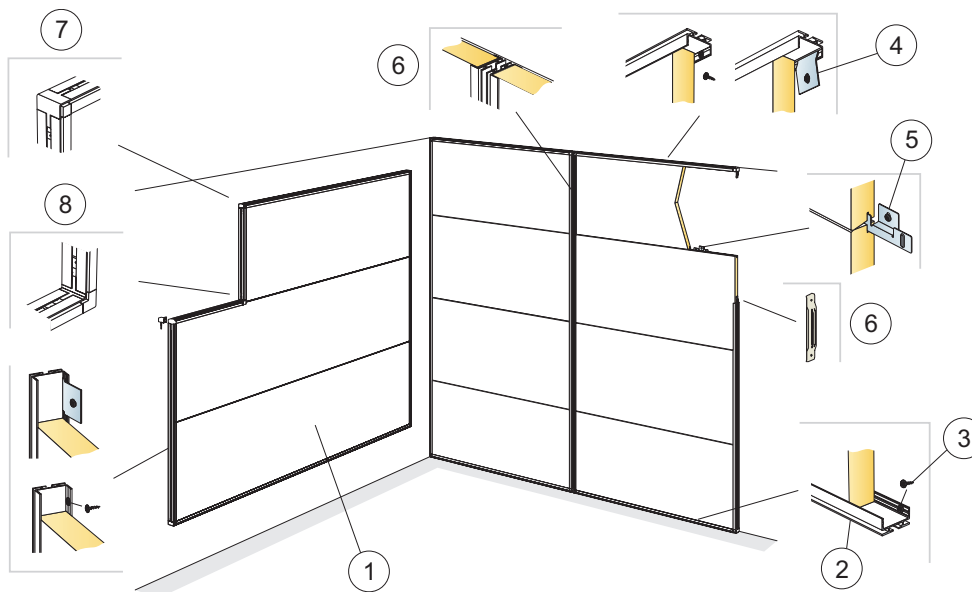


Detail of WP Profile splice

Size, mm	Max live load [N]	Min load bearing capacity [N]
2400x600	0	-
2700x600	0	-

Live load/load bearing capacity

INSTALLATION DIAGRAM (M355) FOR ECOPHON AKUSTO WALL C HORIZONTAL INSTALLATION

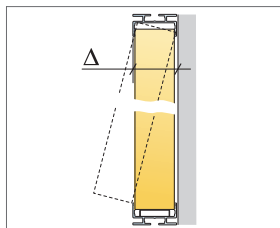


© Ecophon Group

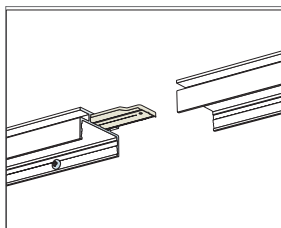
QUANTITY SPECIFICATION (EXCL. WASTAGE)

		Size, mm	
		2400x600	2700x600
1	Akusto Wall C	0,69/m <sup>2</sup>	0,62/m <sup>2</sup>
2	Connect WP Profile, L=2687 mm, fixed at 400 mm centres	as required	as required
3	Connect Installation screw MVL (for use in plasterboard or timber)	as required	as required
4	Alt. Connect Fixing bracket, fixed at 400 mm centres.	as required	as required
5	Connect Fixing plate is mounted at 500 mm centres	as required	as required
6	Connect WP Profile splice. used to extend WP profiles where needed.	as required	as required
7	Connect WP External corner mounted in Connect WP Profile	as required	as required
8	Connect WP Internal corner mounted in Connect WP Profile	as required	as required

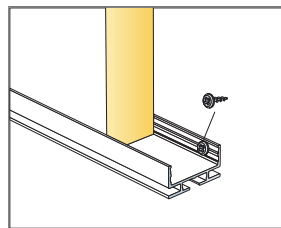
Δ Min. overall depth of system: 44 mm



See Quantity specification



Detail of WP Profile splice

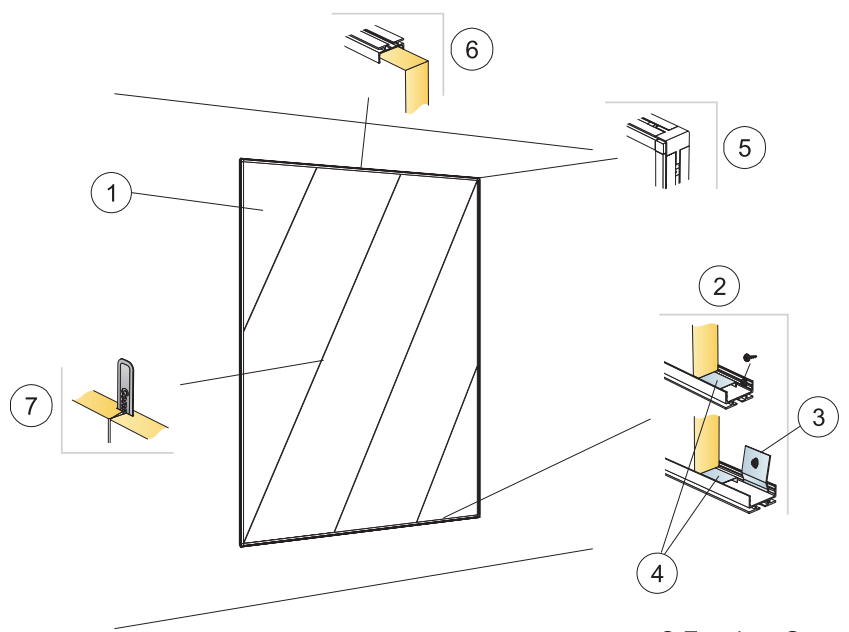


Detail of lower connection

Size, mm	Max live load [N]	Min load bearing capacity [N]
2400x600	0	-
2700x600	0	-

Live load/load bearing capacity

## INSTALLATION DIAGRAM (M235) FOR ECOPHON AKUSTO WALL C DIAGONAL INSTALLATION

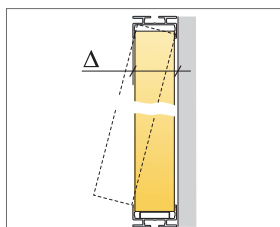


© Ecophon Group

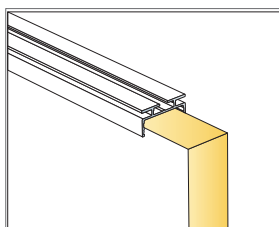
### QUANTITY SPECIFICATION (EXCL. WASTAGE)

		<b>Size, mm</b>
		<b>2700x600</b>
1	Akusto Wall C	0,62/m <sup>2</sup>
2	Connect WP Profile, L=2687 mm, fixed (alt. with Connect Fixing bracket), at 400 mm centres, with Connect WP Space bar, L=2400 mm	as required
3	Alt. 1: Connect Fixing bracket, fixed at 400 mm centres.	as required
4	Connect WP Space bar, L=2400 mm	as required
5	Connect WP External corner mounted in Connect WP Profile	as required
6	Connect WP Profile, L=2687 mm, fixed at 400 mm centres	as required
7	Joint between panels (Connect Spline can be used to secure the panels)	as required

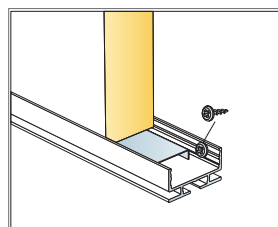
Δ Min. overall depth of system: 44 mm



See Quantity specification



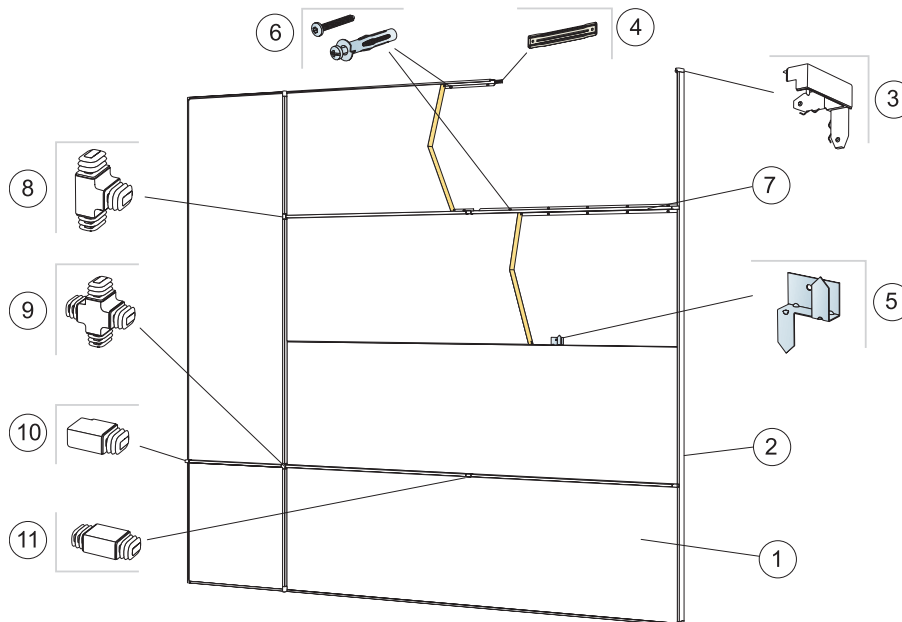
Detail of upper connection



Detail of lower connection

Size, mm	Max live load [N]	Min load bearing capacity [N]
2700x600	0	-

Live load/load bearing capacity

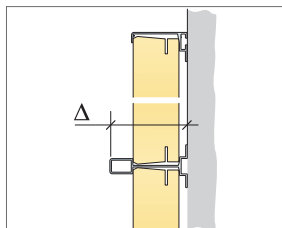


© Ecophon Group

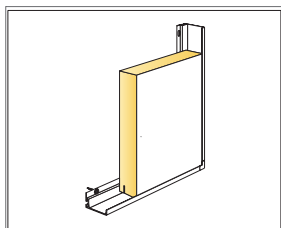
QUANTITY SPECIFICATION (EXCL. WASTAGE)

	Size, mm	
	2400x600	2700x600
1 Akusto Wall C	0,69/m <sup>2</sup>	0,62/m <sup>2</sup>
2 Connect Thinline profile, L=2678 mm	as required	as required
3 Connect Thinline corner	as required	as required
4 Connect Thinline splice. used to extend Thinline profiles where needed.	as required	as required
5 Connect Ambient fixing, for panel support every 1000 mm	as required	as required
6 Installation screw, installed at 200 mm centres (select fastener according to wall material)	as required	as required
7 Connect Structure profile, used to highlight or divide into patterns (optional), L=2700 mm	as required	as required
8 Connect Structure T-junction, used to create a meeting between 3 structure profiles (optional)	as required	as required
9 Connect Structure X-junction, used to create a meeting between 4 structure profiles (optional)	as required	as required
10 Connect Structure ending, used at the ends of the Structure profiles (optional)	as required	as required
11 Connect Structure I-junction, used to extend Structure profiles (optional)	as required	as required

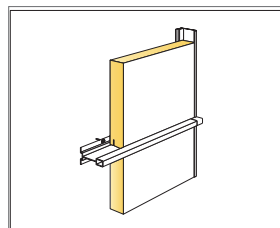
Δ Overall depth of system: 67 mm



See Quantity specification



Detail of panel with Thinline frame

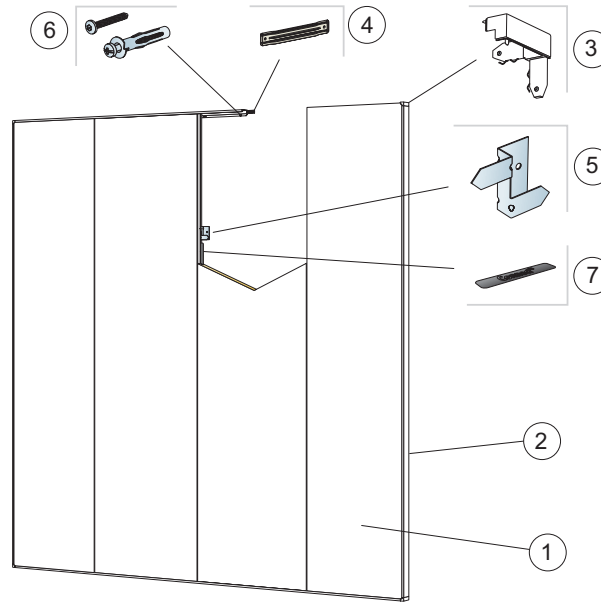


Detail of panel with Structure profile

Size, mm	Max live load [N]	Min load bearing capacity [N]
2400x600	0	-
2700x600	0	-

Live load/load bearing capacity

## INSTALLATION DIAGRAM (M356) FOR ECOPHON AKUSTO WALL C VERTICAL INSTALLATION WITH CONNECT THINLINE PROFILES.

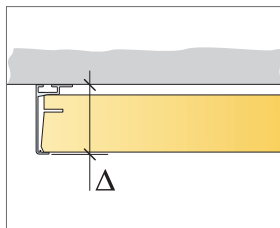


© Ecophon Group

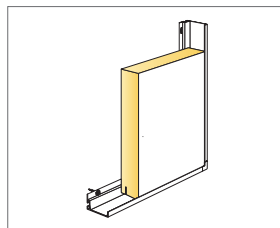
### QUANTITY SPECIFICATION (EXCL. WASTAGE)

	Size, mm	
	2400x600	2700x600
1 Akusto Wall C	0,69/m <sup>2</sup>	0,62/m <sup>2</sup>
2 Connect Thinline profile, L=2678 mm	as required	as required
3 Connect Thinline corner	as required	as required
4 Connect Thinline splice. used to extend Thinline profiles where needed.	as required	as required
5 Connect Ambit fixing, for panel support every 1000 mm	as required	as required
6 Installation screw, installed at 200 mm centres (select fastener according to wall material)	as required	as required
7 Connect Spline	as required	as required

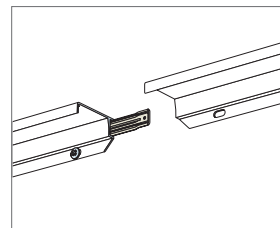
Δ Overall depth of system: 67 mm



See Quantity specification



Detail of panel with Thinline frame



Detail of Thinline splice

Size, mm	Max live load [N]	Min load bearing capacity [N]
2400x600	0	-
2700x600	0	-

Live load/load bearing capacity