

Uniclass L7522	EPIC L22
CI/SfB (56.84)	X



Wireless Heating Systems

RADIANT CEILING HEATER SYSTEMS

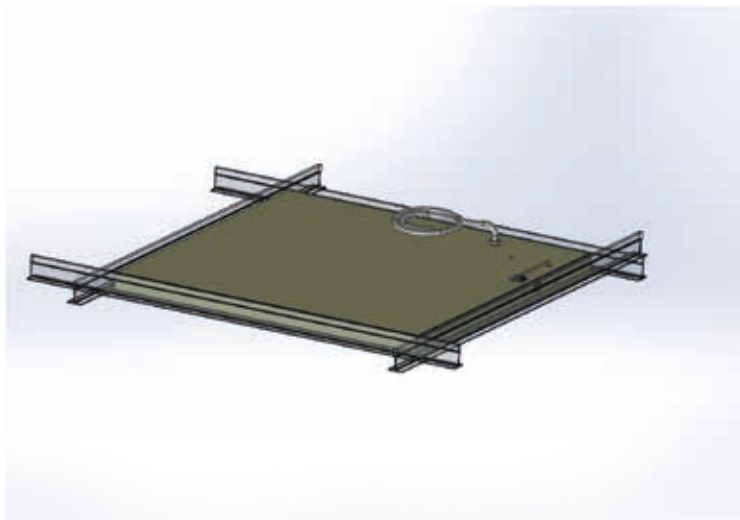
with Wireless Time and Temperature Control



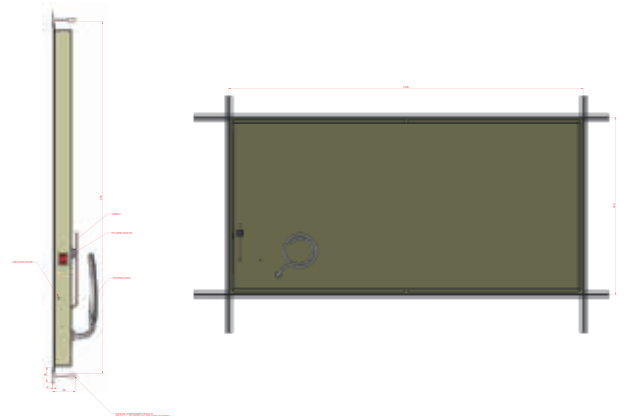
Radiant heat is directional heat, so radiant panels will project heat in a straight line from the heater and warm anyone or anything in its path whichever direction its pointed in.

Ceiling radiators will project heat straight down and will warm people under the heaters. Hence the attraction of energy efficient radiant electric heating panels.

T-BAR SUSPENDED RADIANT PANEL SYSTEM



ECO 300/70/FF/RP/PC/RX
595x595mm 'T' Grid



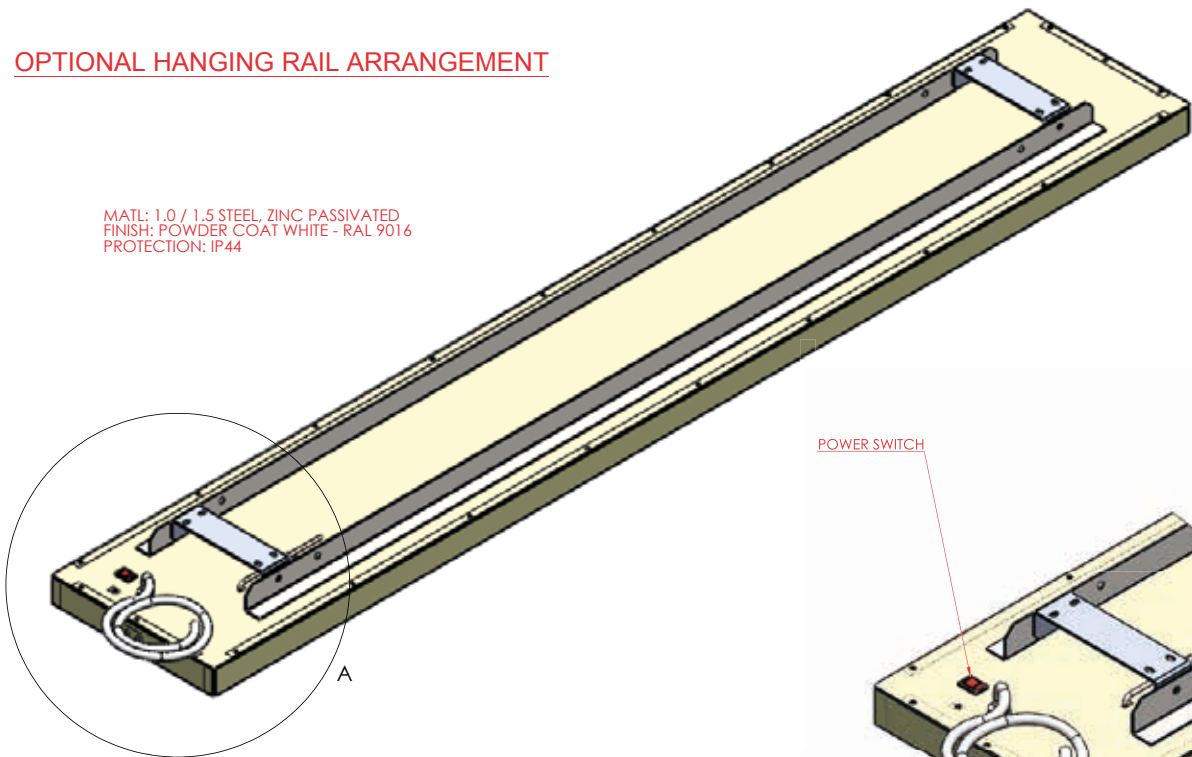
ECO 600/70/FF/RP/PC/RX
595x1195mm 'T' Grid

LINEAR RADIANT PANEL SYSTEM



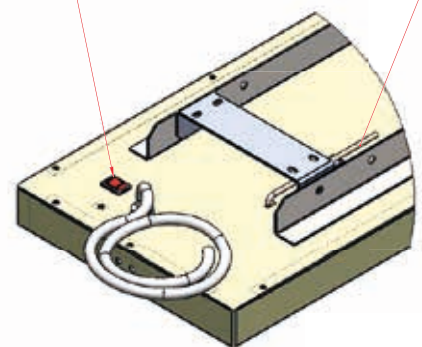
OPTIONAL HANGING RAIL ARRANGEMENT

MATL: 1.0 / 1.5 STEEL ZINC PASSIVATED
FINISH: POWDER COAT WHITE - RAL 9016
PROTECTION: IP44



POWER SWITCH

RECEIVER AERIAL



LINEAR RADIANT PANEL SYSTEM

OPTIONAL HANGING WIRE ARRANGEMENT

APPROX WEIGHT 9Kg

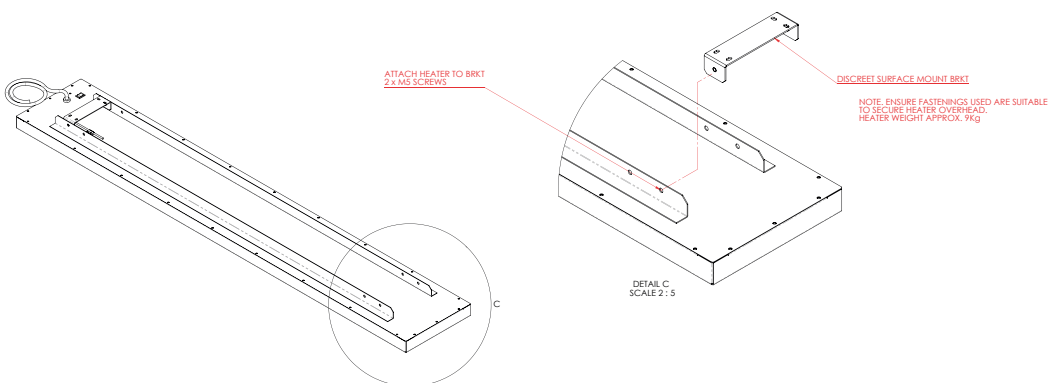
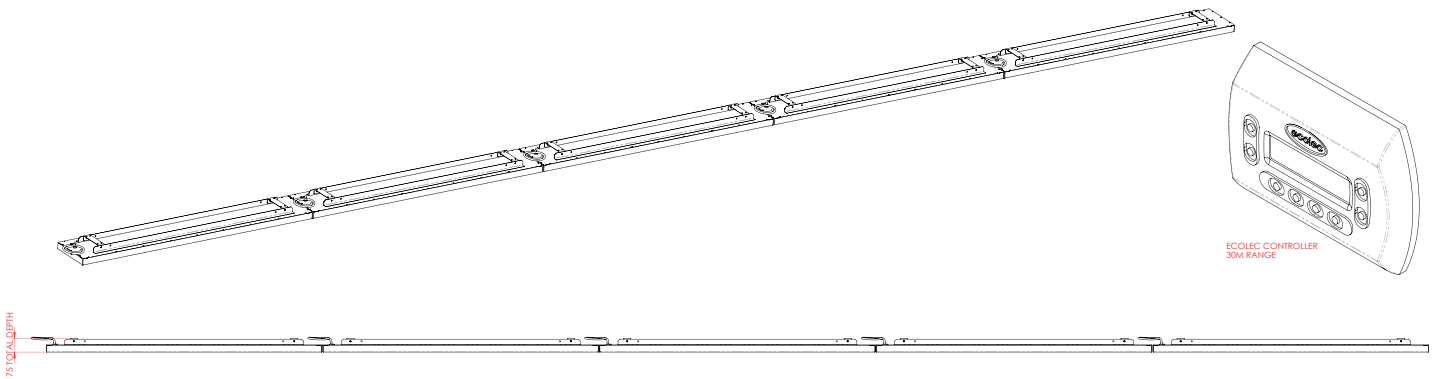
GRIPPLE TYPE
CEILING FASTENING

POWER SWITCH

RECEIVER AERIAL

B

ECO 500/CE/RP/PC/RX



WALL MOUNTED RADIANT PANEL SYSTEM



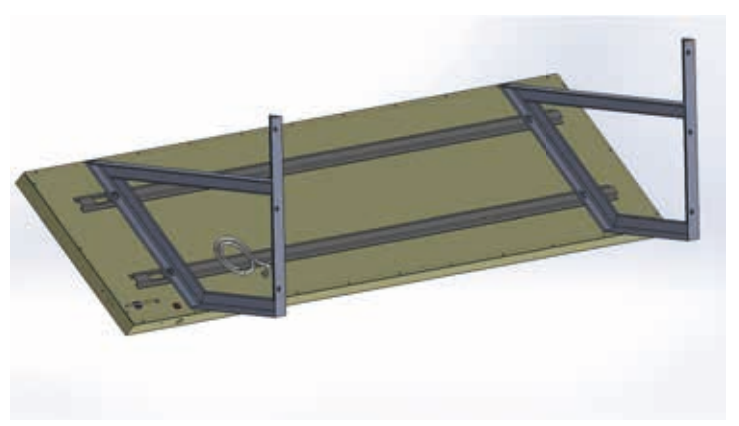
ECO 750/CE/RP/PC/RX - With 90° wall bracket



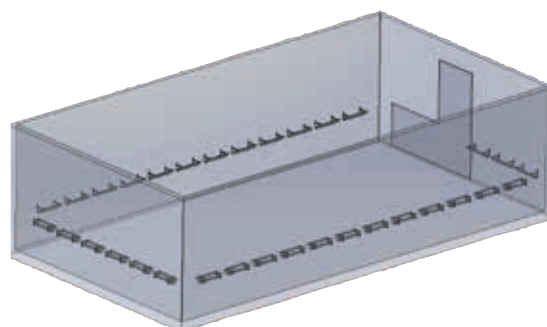
ECO 750/CE/RP/PC/RX - With 45° wall bracket



Sportshall Bracket allows for Basketball clearance

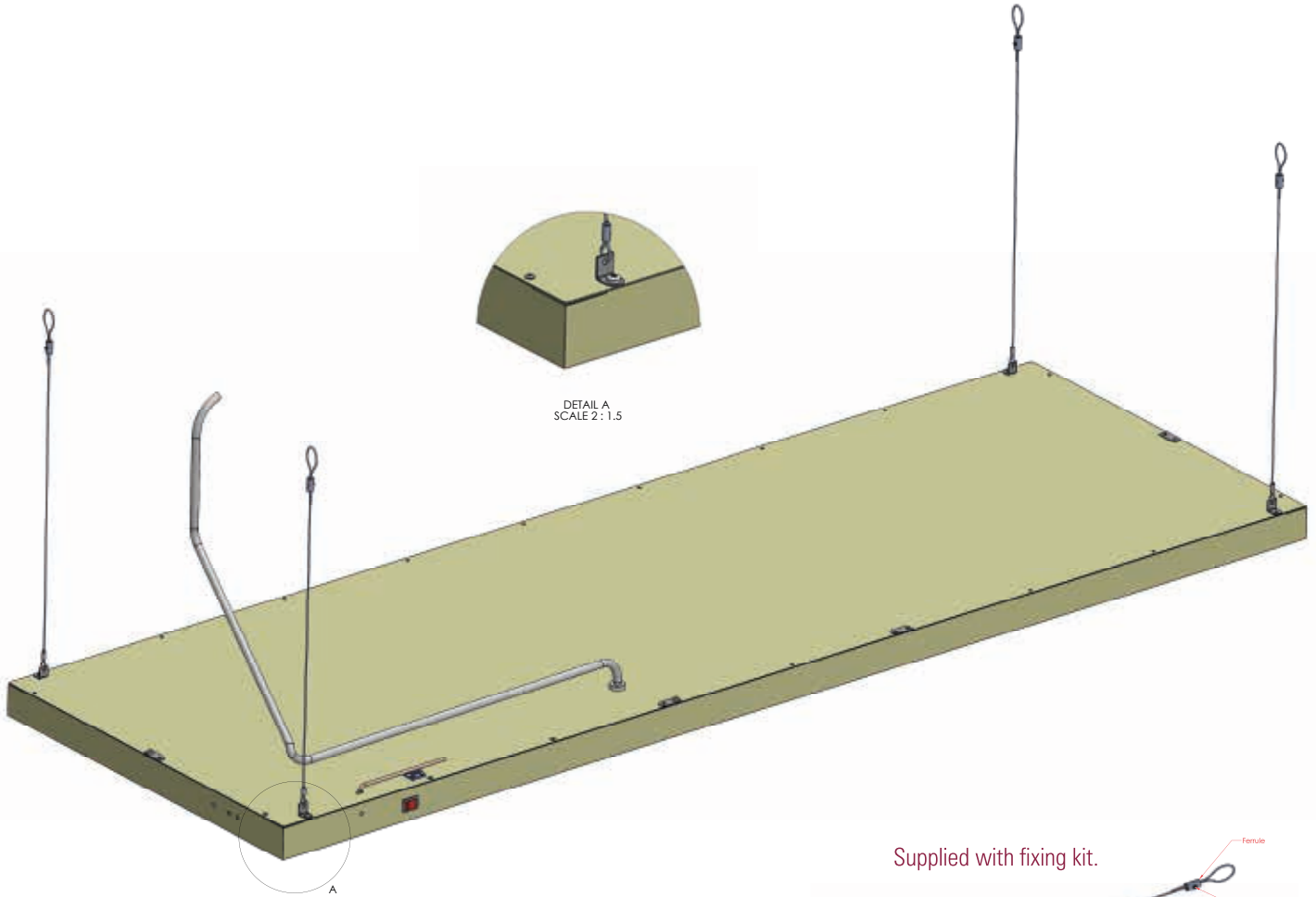


Sportshall Bracket allows for Basketball clearance



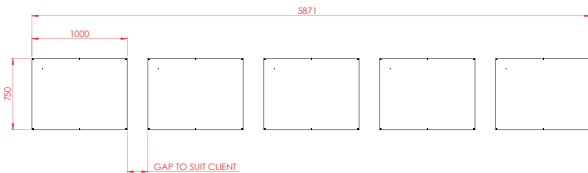
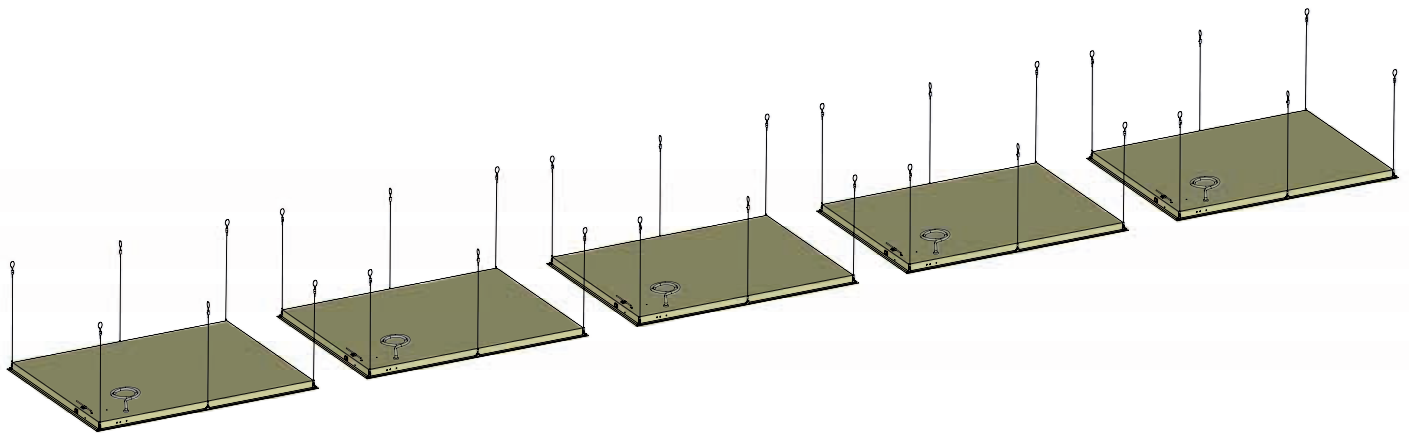
Sports Hall configuration

SUSPENDED RADIANT PANEL SYSTEM

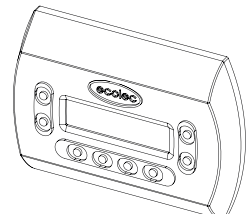


ECO 750X/CE/RP/PC/RX

Supplied with fixing kit.



ECOLEC CONTROLLER
1 CONTROLLER FOR
MULTIPLE HEATERS
30m RANGE



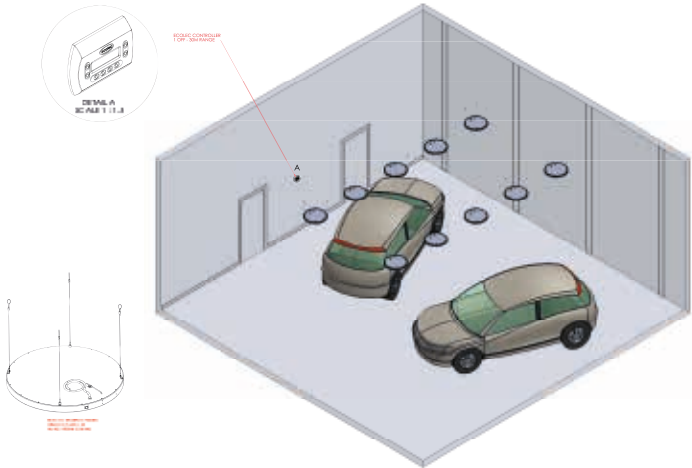
240V MAINS
OR BATTERY POWERED
MODELS AVAILABLE

ECO 750X/CE/RP/PC/RX

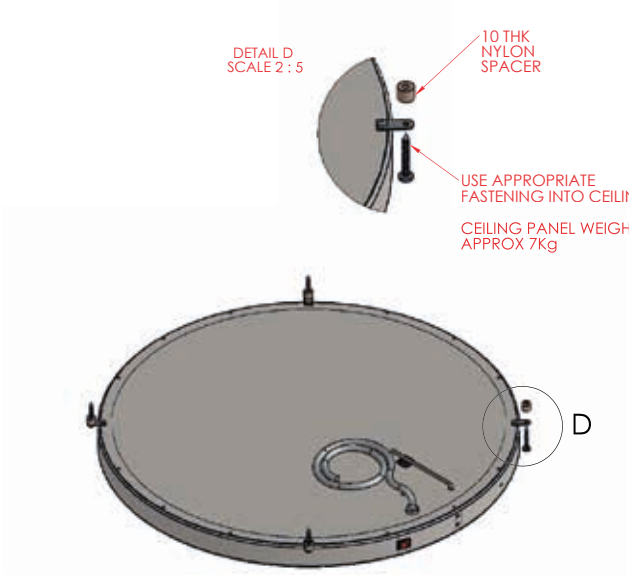
DISC HEAT™ CEILING MOUNTED RADIANT PANEL SYSTEM



ECO 250/CIR/RP/PC/RX



Showroom configuration



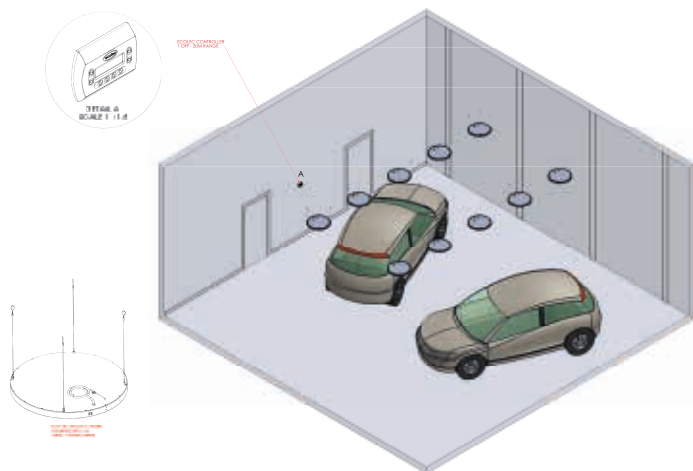
DISC HEAT™ CEILING SUSPENDED RADIANT PANEL SYSTEM



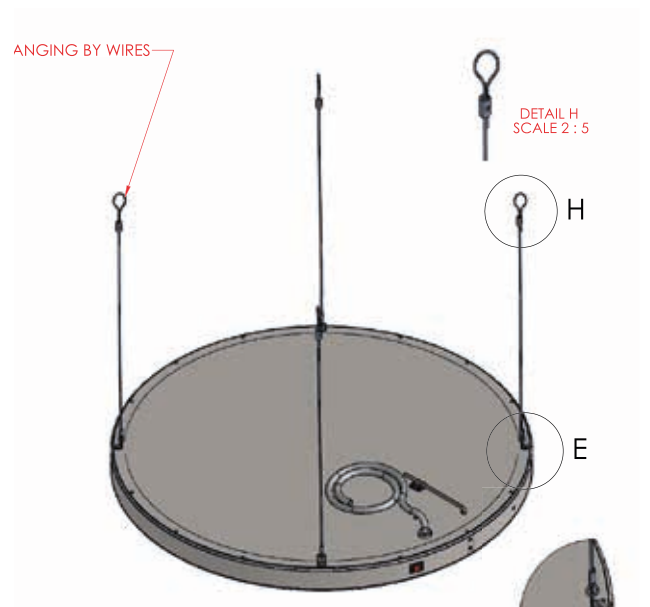
ECO 250/CIR/RP/PCS/RX



ECO 250/CIR/RP/PC/RX



Showroom configuration



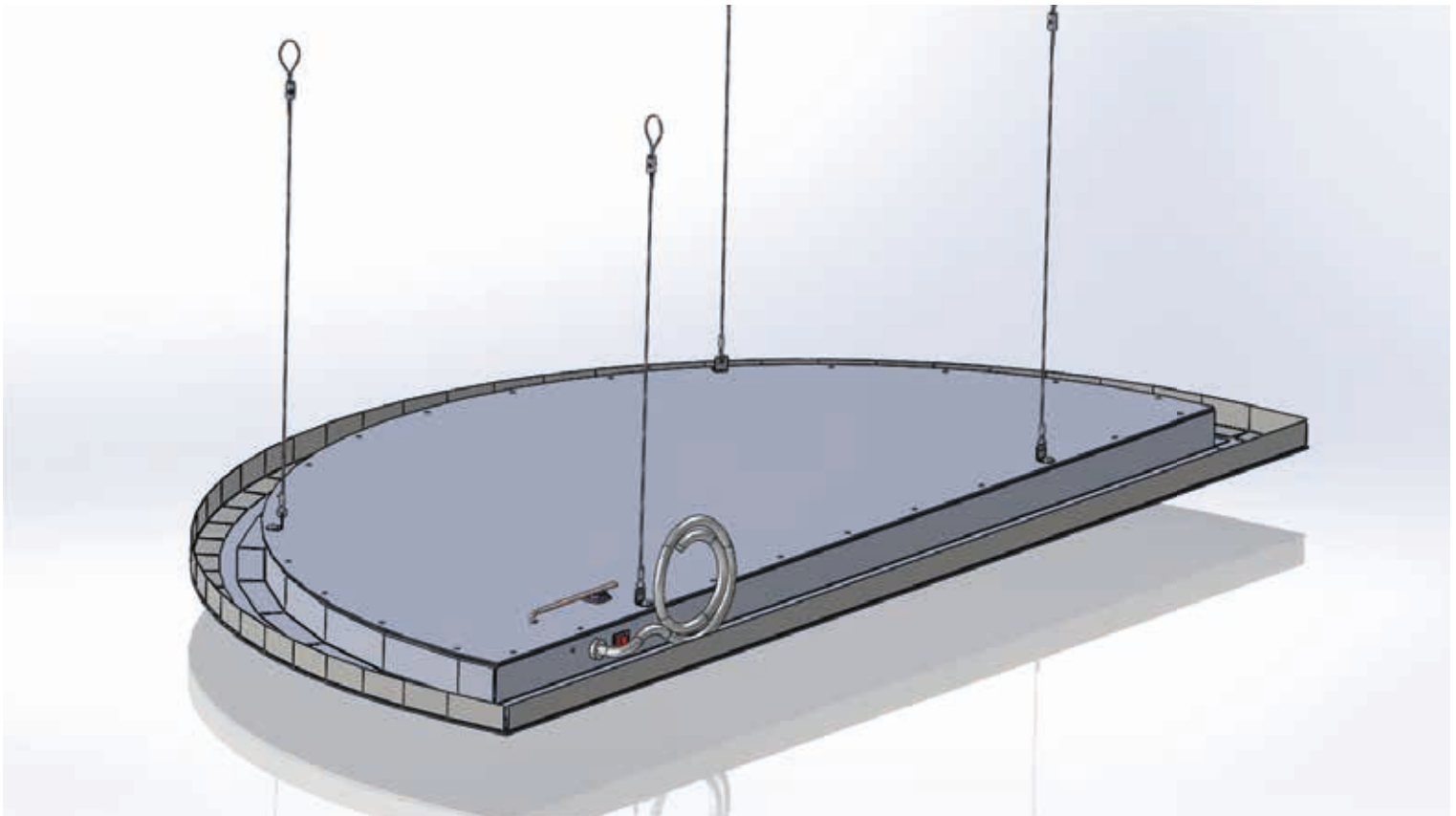
SUSPENDED HALF MOON RADIANT PANEL SYSTEM



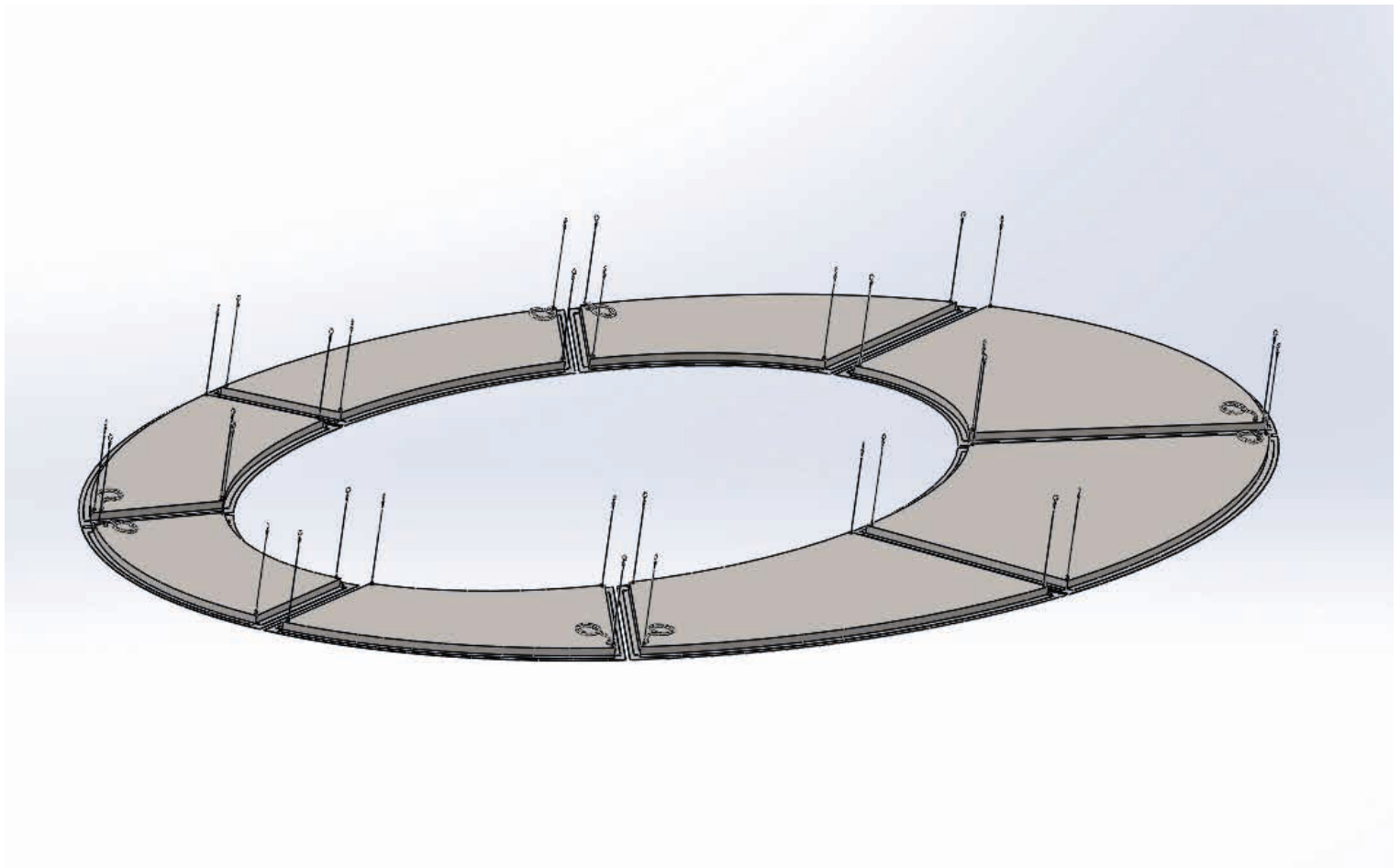
ECO 500/HM/RP/PC/RX (x2 units)



ECO 500/HM/RP/PC/RX (x2 units)



BESPOKE SUSPENDED ELLIPTICAL RADIANT PANEL SYSTEM TO IP44 AND IP65 STANDARDS



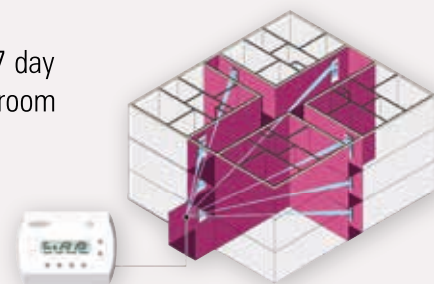
RADIATOR (RECEIVER) KEY FEATURES:

Simply wire the heater to a fuse spur / Hidden wiring / No need to manually switch heaters "on" or "off"

WIRELESS CONTROLLER (TRANSMITTER) KEY FEATURES:

Keylock mode / Simple to Programme / Up to 6 temperature settings per day / 7 day clock / Advance mode / Economy mode / Holiday mode / Boost Mode / Inbuilt room temperature sensor / Frost protection / Powered by 2 x 1.5v Alkaline batteries

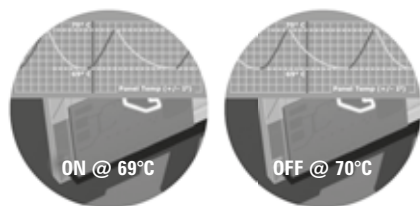
The TX control unit sends a 433MHz radio signal to each "registered" heater within a radius of 30 metres. Each RX panel heater has an inbuilt receiver designed to respond to a signal from the WCT 100/RX.



SPECIFICATION:

LINE REF	CODE	DIMENSIONS (H X W X D) MM	ELEMENT (WATTS)	OUTPUT (WATTS)	OUTPUT (BTU'S)
Powder Coated White					
14.1	ECO 300/80/FF/RP/PC/RX	595 x 595 x 40	300	200	682
14.2	ECO 600/80/FF/RP/PC/RX	1195 x 595 x 40	600	400	1364
14.2a	ECO 750/80/FF/RP/PC/RX	1195 x 595 x 40	750	600	2047
14.3	ECO 1000/CE/RP/PC/RX	2000 x 500 x 40	1000	800	2729
14.4	ECO 750/CE/RP/PC/RX	1500 x 500 x 40	750	600	2047
14.5	ECO 500/CE/RP/PC/RX	1000 x 500 x 40	500	400	1365
14.6	ECO 750X/CE/RP/PC/RX	1000 x 750 x 40	750	600	2047
14.7	ECO 500/CE/RP/PC/RX	2000 x 250 x 40	500	400	1365
Powder Coated Black					
14.8	ECO 1000/CE/RP/PCB/RX	2000 x 500 x 40	1000	800	2729
14.9	ECO 750/CE/RP/PCB/RX	1500 x 500 x 40	750	600	2047
14.10	ECO 500/CE/RP/PCB/RX	1000 x 500 x 40	500	400	1365
Powder Coated Silver					
14.11	ECO 1000/CE/RP/PCS/RX	2000 x 500 x 40	1000	800	2729
14.12	ECO 750/CE/RP/PCS/RX	1500 x 500 x 40	750	600	2047
14.13	ECO 500/CE/RP/PCS/RX	1000 x 500 x 40	500	400	1365
DISC HEAT CIRCLE					
Powder Coated White					
14.14	ECO 250/CIR/RP/PC/RX	620mm Diameter	250	200	682
Powder Coated Black					
14.15	ECO 250/CIR/RP/PCB/RX	620mm Diameter	250	200	682
Powder Coated Silver					
14.16	ECO 250/CIR/RP/PCS/RX	620mm Diameter	300	200	682
HALF MOON					
Powder Coated White					
14.17	ECO 500/HM/RP/PC/RX (x2 units)	1200mm Diameter Total	1000	800	2729

TEMPERATURE RANGE: STANDARD 70°C



Sharrocks Street, Wolverhampton WV1 3RP

Tel: 01902 457575 Fax: 01902 457797 Email: sales@ecolec.co.uk Website: www.ecolec.co.uk