

Multiple Layers of Foil, Wadding & Foam To Create  
A Reflective Thermal Insulation Barrier



# Eco-Quilt *Expert*

**Technical Data Sheet and Fitting/Installation  
Guide.**

**Insulation Fitting Instructions for  
Floors.**



**[Ecohome-Insulation.com](http://Ecohome-Insulation.com)**

**Tel: 0844 991 9949**

**E-Mail: [Sales@Ecohome-Insulation.com](mailto:Sales@Ecohome-Insulation.com)**

# Eco-Quilt *Expert*

## Contents & Introduction

[Click Here For Suspended Floor](#)

[Click Here For Crawl Space Floor](#)

[Click Here For Floating Floor](#)

### **Introduction**

#### **General Fixing Instructions**

Installation of EcoQuilt for Floor applications should be in accordance with the fixing instructions and current good building practice.

EcoQuilt must be installed with a 50mm overlap.

EcoQuilt can be cut with a EcoQuilt cutter, craft knife or a sharp pair of scissors.

EcoQuilt can be easily fixed with staples at regular intervals. Minimum 14mm stainless steel or galvanised staples are recommended.

No protective clothing/handling required.

#### **P/A Ratio**

The heat loss in a floor is greater at the exposed perimeter edge of the floor. To calculate the U-value, the exposed perimeter edge to area ratio needs to be worked out e.g. - a 100m<sup>2</sup> area, semi-detached house with 3 external walls of 10m each has a perimeter to area ratio 0.3(i.e. 30m : 100m<sup>2</sup> = 0.3).



**Ecohome-Insulation.com**

Tel: **0844 991 9949**

E-Mail: **Sales@Ecohome-Insulation.com**

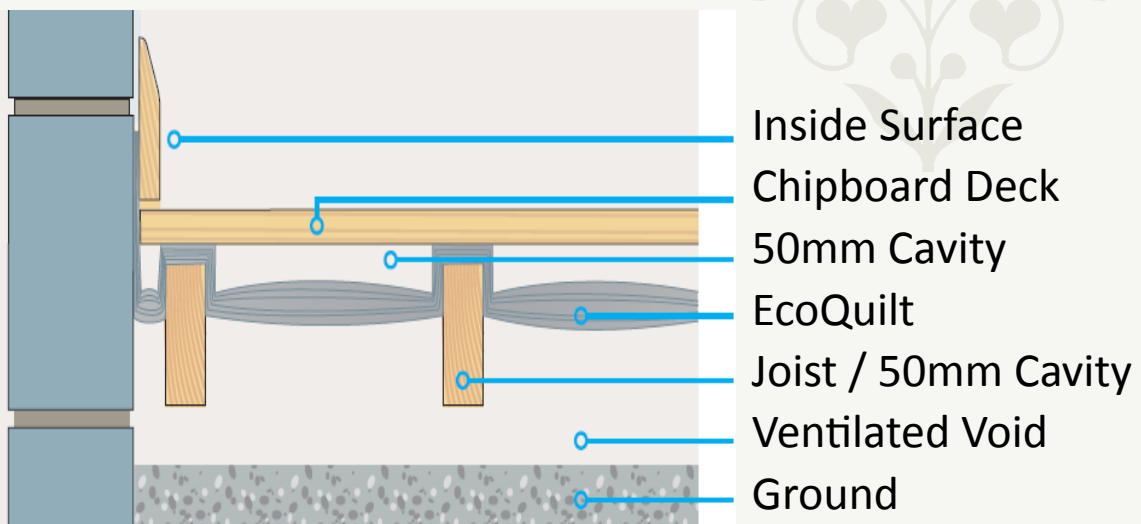
# Eco-Quilt *Expert*

## Suspended Timber Floor

### Fixing Instructions

EcoQuilt is rolled out over the joists, then stapled in place to create required airspace or nailed in place through the saddle clips to maintain the required 50mm airspace (4 saddle clips per m<sup>2</sup>). The horizontal joints are tightly overlapped and left open to allow any moisture accumulation to dissipate.

EcoQuilt should be sealed around the perimeter or brought up above the floor deck. The decking is then fixed at 200mm centres with screws 37mm into the joists.



[Ecohome-Insulation.com](http://Ecohome-Insulation.com)

Tel: 0844 991 9949

E-Mail: [Sales@Ecohome-Insulation.com](mailto:Sales@Ecohome-Insulation.com)

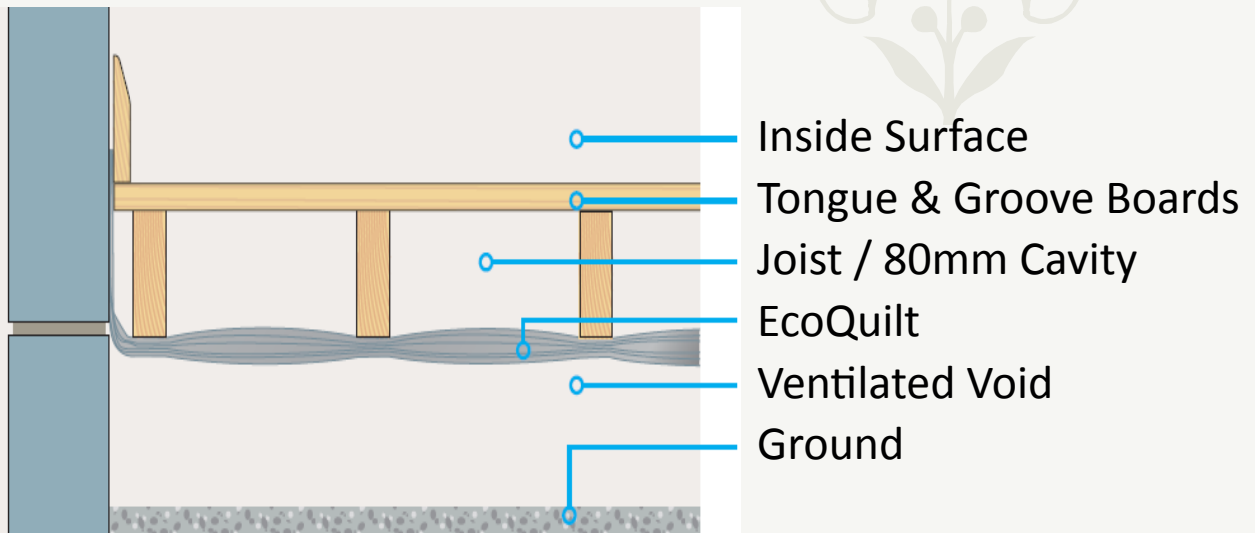
# Eco-Quilt *Expert*

## Crawl Space Floor

### Fixing Instructions

EcoQuilt is rolled out under the floor joists then stapled in place. Access is gained using the under floor crawl space.

The horizontal joints are tightly overlapped and left open to allow any moisture accumulation to dissipate. EcoQuilt should be sealed around the perimeter or brought up above the floor deck.



[Ecohome-Insulation.com](http://Ecohome-Insulation.com)

Tel: 0844 991 9949

E-Mail: [Sales@Ecohome-Insulation.com](mailto:Sales@Ecohome-Insulation.com)

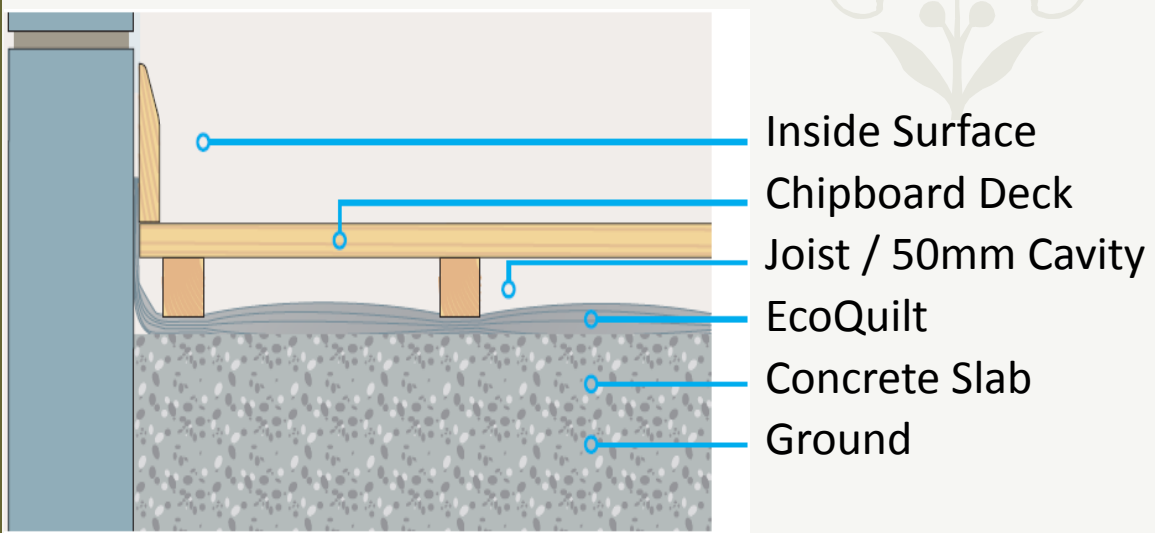
# Eco-Quilt *Expert*

## Floating Timber Floor

### Fixing Instructions

EcoQuilt is rolled out onto the concrete floor leaving enough edge overlap to protrude above the floor deck.

Timber joists/battens are then laid on top of the EcoQuilt, spaced at centres to suit the particular flooring. The deck is then fixed at 200mm centres with screws 37mm into the joists/battens.



[Ecohome-Insulation.com](http://Ecohome-Insulation.com)

Tel: 0844 991 9949

E-Mail: [Sales@Ecohome-Insulation.com](mailto:Sales@Ecohome-Insulation.com)

# Eco-Quilt *Expert*

## Technical Data for EcoQuilt Multi-Foil Insulation.

R-Value Thermal Rating	2.272 m <sup>2</sup> ·K/W
Emissivity	0.35
Number of Layers	6 Layers of Thermo-Wadding, Breather Foam, and Reflective Foil
Roll Length	10m
Roll Width(s)	750mm / 75cm 1500mm / 150cm
Thickness	15mm loose 5mm when Fitted/Stapled
Fibre Glass/ Loft Wool Equivalent Thickness	120mm



**Ecohome-Insulation.com**

Tel: **0844 991 9949**

E-Mail: **Sales@Ecohome-Insulation.com**