

Easy Drain[®]
by ess

Modulo TAF High

Easy Drain Modulo TAF High linear shower drain, the perfect solution for all your bathroom wishes. The subtle stainless frame provides an elegant look and fits seamlessly into your bathroom floor. Furthermore, the revolutionary TAF-technology and Water Protection System (WPS) guarantee easy installation and a waterproof finish.

FEATURES

- Available lengths - 500 - 1200 mm
- Water Protection System - 10-year warranty
- Siphon - Easy to clean
- Tile Adjustable Frame - Height adjustable 17 - 28 mm
- Supplied as - Complete set



Manufacturer

Easy Sanitary Solutions
Nijverheidsstraat 60 | 7575 BK Oldenzaal | The Netherlands
T. +31 (0)541 200 800 | F. +31 (0)541 200 899
info@esspost.com | www.easydrain.com

Contact

Easy Sanitary Solutions
Nijverheidsstraat 60 | 7575 BK Oldenzaal | The Netherlands
T. +31 (0)541 200 800 | F. +31 (0)541 200 899
sales@esspost.com | www.easydrain.com

Page 1 / 3

GENERAL

Serie	Modulo TAF High
Name	Modulo TAF High
Model	Linear shower drain
Length (mm)	500, 600, 700, 800, 900, 1000, 1100, 1200
Product type	Complete
Application	New construction, Renovation
Certification	ETAG-022, DIN 18534

INSTALLATION

Substrate	Concrete / Sand Cement, Wooden floors, Lewis sheets
Floor finish	Natural stone
Height adjustable feet	Included
Installation option	Floor, Wall
Outlet	Horizontal (Vertical outlet optional)
Connection (mm)	40
Min. installation depth (mm) (built-in set)	70
Min. installation depth (mm) (incl. grate)	87

DRAINAGE

Max. drainage capacity entrance (l/min)	28
Max. drainage capacity wall (l/min)	33
Max. drainage capacity (l/min)	33

BUILT-IN SET

Pre-assembled sealing membrane (WPS)	Included
Siphon features	Cleanable
Water seal height (mm)	28
Outlet	Horizontal (Vertical outlet optional)
Material siphon	ABS

DESIGN

Grate finish	Brushed stainless steel / Tile
Grate pattern	Zero / Closed
Grate width (mm)	45
Grate tile insert (mm)	12
Adjustable grate	No
Frame type	TAF High (High Tile Adjustable Frame)
TAF Frame material	Stainless steel (304)
Design frame finish	N.A.
Frame width (mm)	62
Wheelchair accessible	Yes
Extension set available	No



Manufacturer

Easy Sanitary Solutions
 Nijverheidsstraat 60 | 7575 BK Oldenzaal | The Netherlands
 T. +31 (0)541 200 800 | F. +31 (0)541 200 899
 info@esspost.com | www.easydrain.com

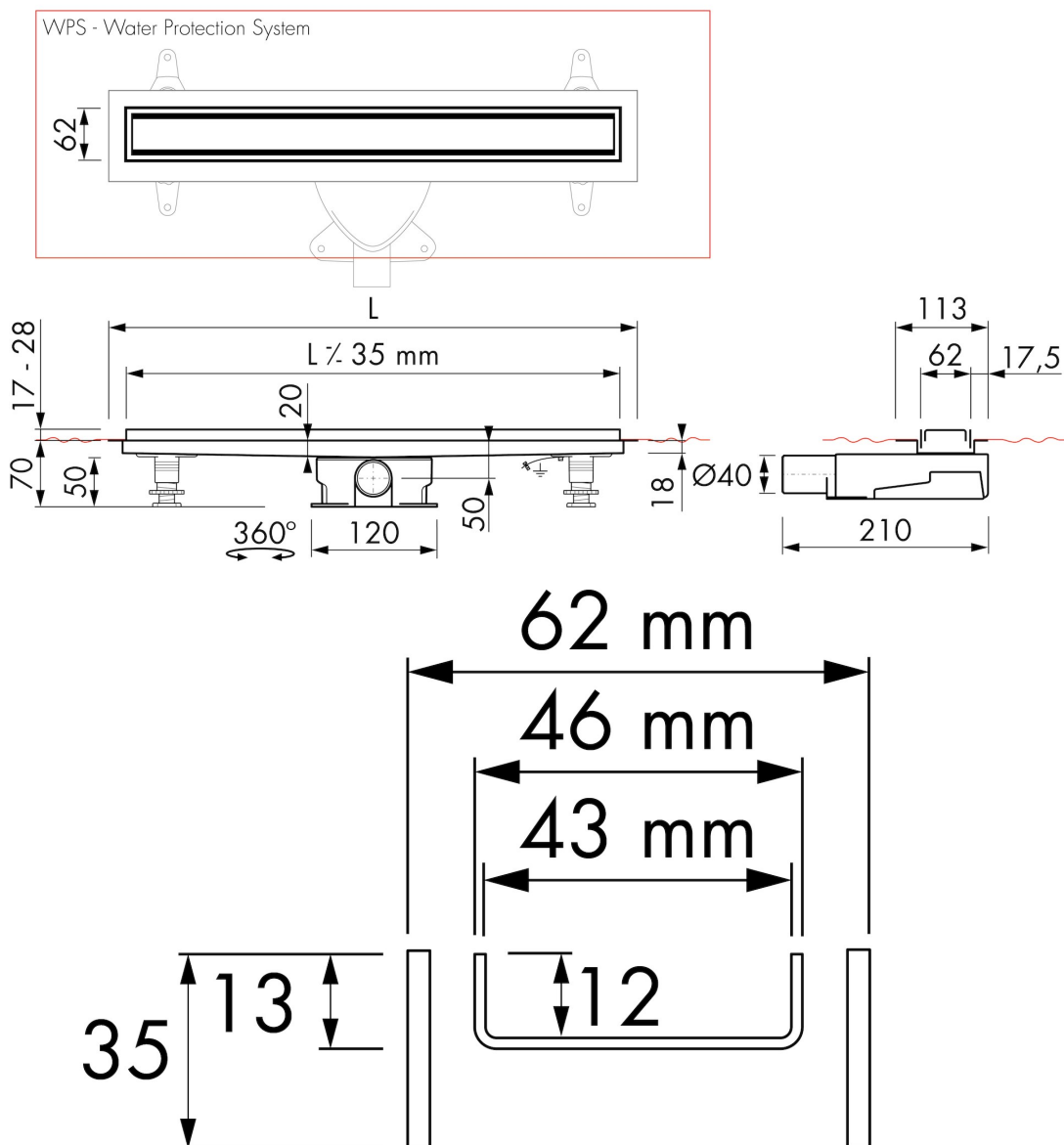
Contact

Easy Sanitary Solutions
 Nijverheidsstraat 60 | 7575 BK Oldenzaal | The Netherlands
 T. +31 (0)541 200 800 | F. +31 (0)541 200 899
 sales@esspost.com | www.easydrain.com

ARTICLE CODE

500 mm	MTAFHOOG-500-ZT / EDM2 500-35		
600 mm	MTAFHOOG-600-ZT / EDM2 600-35		
700 mm	MTAFHOOG-700-ZT / EDM2 700-35		
800 mm	MTAFHOOG-800-ZT / EDM2 800-35		
900 mm	MTAFHOOG-900-ZT / EDM2 900-35		
1000 mm	MTAFHOOG-1000-ZT / EDM2 1000-35		
1100 mm	MTAFHOOG-1100-ZT / EDM2 1100-35		
1200 mm	MTAFHOOG-1200-ZT / EDM2 1200-35		

TECHNICAL DRAWINGS



Manufacturer

Easy Sanitary Solutions
 Nijverheidsstraat 60 | 7575 BK Oldenzaal | The Netherlands
 T. +31 (0)541 200 800 | F. +31 (0)541 200 899
 info@esspost.com | www.easydrain.com

Contact

Easy Sanitary Solutions
 Nijverheidsstraat 60 | 7575 BK Oldenzaal | The Netherlands
 T. +31 (0)541 200 800 | F. +31 (0)541 200 899
 sales@esspost.com | www.easydrain.com