



Easy Drain[®]

by ess

Modulo Stone

Easy Drain Modulo stone is a unique frameless shower drain with tileable grate that is developed for natural stone floors of any thickness. The frameless design makes it completely invisible and fits harmoniously into any bathroom floor.

FEATURES

- Available lengths - 500 - 1200 mm
- Grate - Height adjustable grate
- Water Protection System - 10-year warranty
- Siphon - Easy to clean
- Certified - EN 1253
- Supplied as - Complete set



Manufacturer

Easy Sanitary Solutions
Nijverheidsstraat 60 | 7575 BK Oldenzaal | The Netherlands
T. +31 (0)541 200 800 | F. +31 (0)541 200 899
info@esspost.com | www.easydrain.com

Contact

Easy Sanitary Solutions
Nijverheidsstraat 60 | 7575 BK Oldenzaal | The Netherlands
T. +31 (0)541 200 800 | F. +31 (0)541 200 899
sales@esspost.com | www.easydrain.com

Page 1 / 3

GENERAL

Serie	Modulo Stone
Name	Modulo Stone
Model	Linear shower drain
Length (mm)	500, 600, 700, 800, 900, 1000, 1100, 1200
Product type	Complete
Application	New construction, Renovation
Certification	EN 1253, ETAG-022, DIN 18534

INSTALLATION

Substrate	Concrete / Sand Cement, Wooden floors, Lewis sheets
Floor finish	Natural stone
Height adjustable feet	Included
Installation option	Wall, Floor
Outlet	Horizontal (Vertical outlet optional)
Connection (mm)	50 (Global) / 56 (UK)
Min. installation depth (mm) (built-in set)	87
Min. installation depth (mm) (incl. grate)	87

DRAINAGE

Max. drainage capacity entrance (l/min)	33
Max. drainage capacity wall (l/min)	41
Max. drainage capacity (l/min)	41

BUILT-IN SET

Pre-assembled sealing membrane (WPS)	Included
Siphon features	Cleanable, Pivotal & adjustable, Height adjustable
Water seal height (mm)	50
Outlet	Horizontal (Vertical outlet optional)
Material siphon	Polypropylene (PP)

DESIGN

Grate finish	Tile
Grate pattern	N.A.
Grate width (mm)	59
Grate tile insert (mm)	Any thickness
Adjustable grate	Yes
Frame type	N.A.
TAF Frame material	N.A.
Design frame finish	N.A.
Frame width (mm)	N.A.
Wheelchair accessible	Yes
Extension set available	No



Manufacturer

Easy Sanitary Solutions
 Nijverheidsstraat 60 | 7575 BK Oldenzaal | The Netherlands
 T. +31 (0)541 200 800 | F. +31 (0)541 200 899
 info@esspost.com | www.easydrain.com

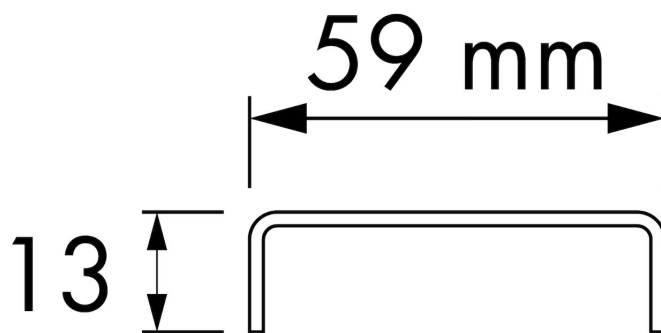
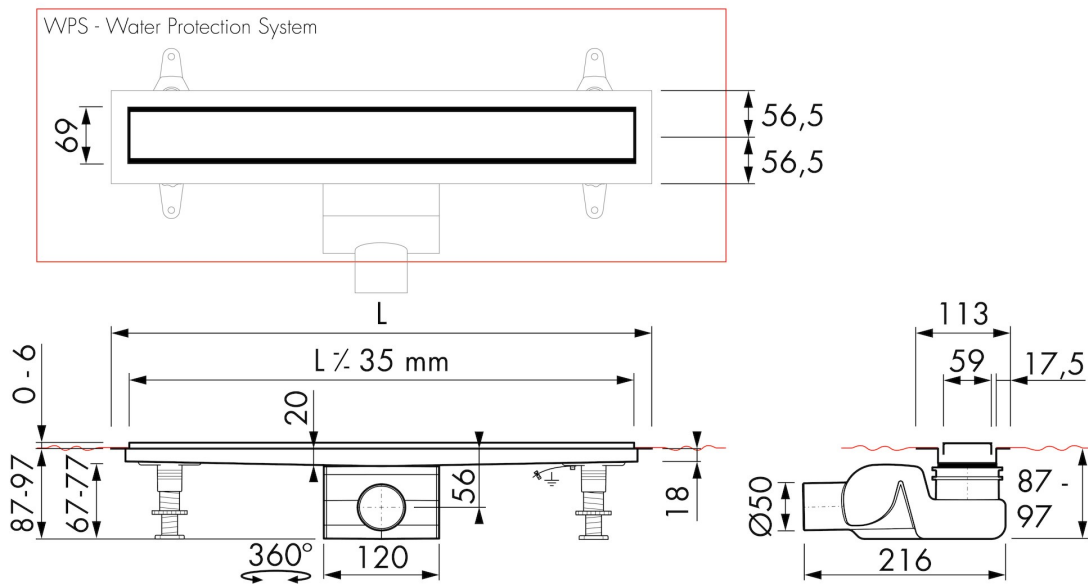
Contact

Easy Sanitary Solutions
 Nijverheidsstraat 60 | 7575 BK Oldenzaal | The Netherlands
 T. +31 (0)541 200 800 | F. +31 (0)541 200 899
 sales@esspost.com | www.easydrain.com

ARTICLE CODE

500 mm	MB-NAT-500 / EDM2 500-50		
600 mm	MB-NAT-600 / EDM2 600-50		
700 mm	MB-NAT-700 / EDM2 700-50		
800 mm	MB-NAT-800 / EDM2 800-50		
900 mm	MB-NAT-900 / EDM2 900-50		
1000 mm	MB-NAT-1000 / EDM2 1000-50		
1100 mm	MB-NAT-1100 / EDM2 1100-50		
1200 mm	MB-NAT-1200 / EDM2 1200-50		

TECHNICAL DRAWINGS



Manufacturer

Easy Sanitary Solutions
 Nijverheidsstraat 60 | 7575 BK Oldenzaal | The Netherlands
 T. +31 (0)541 200 800 | F. +31 (0)541 200 899
 info@esspost.com | www.easydrain.com

Contact

Easy Sanitary Solutions
 Nijverheidsstraat 60 | 7575 BK Oldenzaal | The Netherlands
 T. +31 (0)541 200 800 | F. +31 (0)541 200 899
 sales@esspost.com | www.easydrain.com