

Easy Drain[®]

by ess

Flex

Easy Drain Flex linear shower drain offers a solution to design your bathroom in absolute freedom. The Flex linear shower drain has a variable length from 50-120 cm, meaning that it can easily be shortened in length on site. This shower drain is supplied as complete set including: grate, trap body, drainage siphon, height adjustable legs and sealing membrane.

FEATURES

- Available size - 1200 mm
- Connection - 360° rotatable
- Siphon - Easy to clean
- Suitable for - New construction and renovation
- Supplied as - Complete set
- Size sizeable - Can be shortened on site



Manufacturer

Easy Sanitary Solutions
Nijverheidsstraat 60 | 7575 BK Oldenzaal | The Netherlands
T. +31 (0)541 200 800 | F. +31 (0)541 200 899
info@esspost.com | www.easydrain.com

Contact

Easy Sanitary Solutions
Nijverheidsstraat 60 | 7575 BK Oldenzaal | The Netherlands
T. +31 (0)541 200 800 | F. +31 (0)541 200 899
sales@esspost.com | www.easydrain.com

Page 1 / 3

GENERAL

Serie	Flex
Name	Flex
Model	Linear shower drain
Length (mm)	1200
Product type	Complete
Application	New construction
Certification	N.A.

INSTALLATION

Substrate	Concrete / Sand Cement, Lewis sheets, Synthetic, Wooden floors
Floor finish	N.A.
Height adjustable feet	Included
Installation option	Floor
Outlet	Horizontal (Vertical outlet optional)
Connection (mm)	40
Min. installation depth (mm) (built-in set)	75
Min. installation depth (mm) (incl. grate)	82

DRAINAGE

Max. drainage capacity entrance (l/min)	28
Max. drainage capacity wall (l/min)	33
Max. drainage capacity (l/min)	33

BUILT-IN SET

Pre-assembled sealing membrane (WPS)	Excluded
Siphon features	Cleanable, Pivotal & adjustable
Water seal height (mm)	28
Outlet	Horizontal (Vertical outlet optional)
Material siphon	ABS

DESIGN

Grate finish	Brushed stainless steel
Grate pattern	Zero / Closed
Grate width (mm)	22
Grate tile insert (mm)	N.A.
Adjustable grate	Yes
Frame type	N.A.
TAF Frame material	N.A.
Design frame finish	N.A.
Frame width (mm)	N.A.
Wheelchair accessible	Yes
Extension set available	No



Manufacturer

Easy Sanitary Solutions
 Nijverheidsstraat 60 | 7575 BK Oldenzaal | The Netherlands
 T. +31 (0)541 200 800 | F. +31 (0)541 200 899
 info@esspost.com | www.easydrain.com

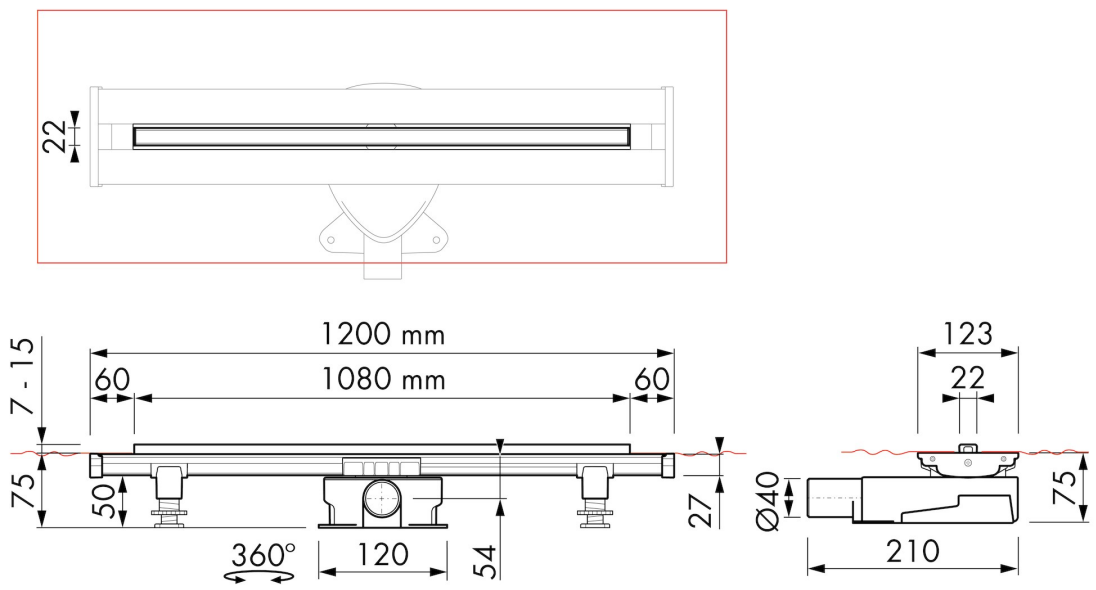
Contact

Easy Sanitary Solutions
 Nijverheidsstraat 60 | 7575 BK Oldenzaal | The Netherlands
 T. +31 (0)541 200 800 | F. +31 (0)541 200 899
 sales@esspost.com | www.easydrain.com

ARTICLE CODE

1200 mm	EDFLEX-1200-28		

TECHNICAL DRAWINGS



Manufacturer

Easy Sanitary Solutions
 Nijverheidsstraat 60 | 7575 BK Oldenzaal | The Netherlands
 T. +31 (0)541 200 800 | F. +31 (0)541 200 899
 info@esspost.com | www.easydrain.com

Contact

Easy Sanitary Solutions
 Nijverheidsstraat 60 | 7575 BK Oldenzaal | The Netherlands
 T. +31 (0)541 200 800 | F. +31 (0)541 200 899
 sales@esspost.com | www.easydrain.com