

Container®  
by ess

## Container BOX 10 (Anthracite)

Container Box Wall Niche offers unique space-saving opportunities. This product is made of high-quality stainless steel and comes in various sizes. The Wall Niche can conveniently stow all your shampoos, shower gel's and other bathroom items. Container Box Wall Niche is easy and quick to install with uncomplicated sealing and tiling. The design is simple, sleek and looks harmonious in every bathroom. Needless to say is that all products of this serie meet the high-quality standard set by ESS.

### FEATURES

- Suitable for - Drywall and solid wall
- Material - High-quality stainless steel
- Installation - Time-saving
- Installation - Easy sealing



#### Manufacturer

Easy Sanitary Solutions  
Nijverheidsstraat 60 | 7575 BK Oldenzaal | The Netherlands  
T. +31 (0)541 200 800 | F. +31 (0)541 200 899  
info@esspost.com | www.easydrain.com

#### Contact

Easy Sanitary Solutions  
Nijverheidsstraat 60 | 7575 BK Oldenzaal | The Netherlands  
T. +31 (0)541 200 800 | F. +31 (0)541 200 899  
sales@esspost.com | www.easydrain.com

Page 1 / 3

## GENERAL

---

Serie	BOX
Name	Container BOX 10 (Anthracite)
Wall niche model	Wall niche
Dimensions (mm)	600x300x100

## DESIGN

---

Colour / finish	Anthracite / DB703
Material	Stainless steel (304)
Frame finish	Stainless steel (304)
Tileable door	N.A.
Lumen (lm)	N.A.
Color temperature led (K)	N.A.

## INSTALLATION

---

Installation depth (mm)	100
Variable installation depth	No
Built in element and sealing set included	Yes
Material built-in element	Polystyreen (PS)
Wall type	Drywall construction;Solid wall construction
Tile insert door (mm)	N.A.

## ARTICLE CODE

---

600x300x100 mm	BOX-60x30x10-PA
----------------	-----------------

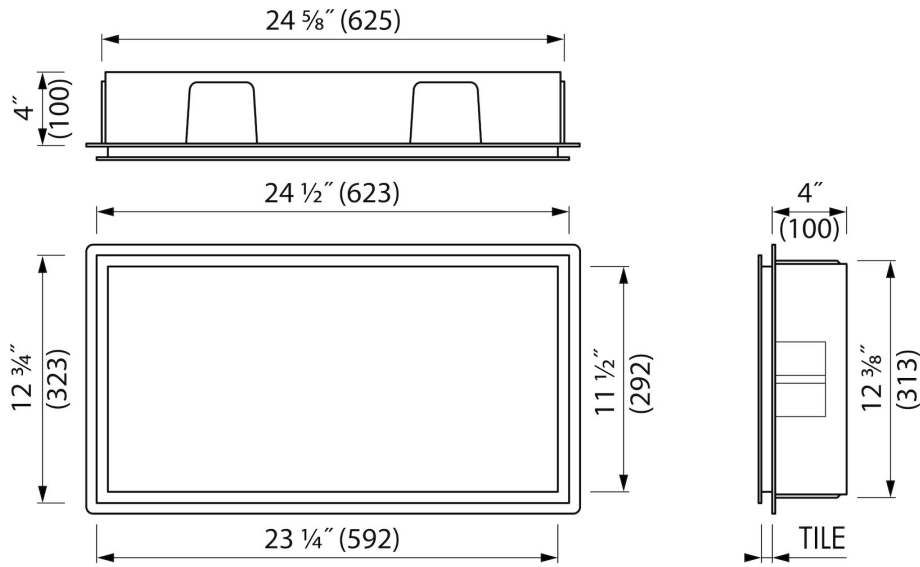
**Manufacturer**

Easy Sanitary Solutions  
Nijverheidsstraat 60 | 7575 BK Oldenzaal | The Netherlands  
T. +31 (0)541 200 800 | F. +31 (0)541 200 899  
info@esspost.com | www.easydrain.com

**Contact**

Easy Sanitary Solutions  
Nijverheidsstraat 60 | 7575 BK Oldenzaal | The Netherlands  
T. +31 (0)541 200 800 | F. +31 (0)541 200 899  
sales@esspost.com | www.easydrain.com

## TECHNICAL DRAWINGS



**Manufacturer**

Easy Sanitary Solutions  
Nijverheidsstraat 60 | 7575 BK Oldenzaal | The Netherlands  
T. +31 (0)541 200 800 | F. +31 (0)541 200 899  
info@esspost.com | www.easydrain.com

**Contact**

Easy Sanitary Solutions  
Nijverheidsstraat 60 | 7575 BK Oldenzaal | The Netherlands  
T. +31 (0)541 200 800 | F. +31 (0)541 200 899  
sales@esspost.com | www.easydrain.com