

Table of Contents

1.0	Table of Contents	1.370	Screwed connectors, outer thread, weld end
1.1	System description	1.375	Screwed connectors, coupling: equal, reduced
1.100	System description (general)	1.380	Screwed connectors, T-piece
1.105	System description (data)	1.385	Compression connectors, thread, weld end with sliding sleeve
1.106	System description (data)	1.390	Compression connectors, coupling, angle 90° with sliding sleeve
1.110	Long-term behaviour/lifetime calculation	1.395	Compression T-piece, with sliding sleeve
1.115	CALPEX UNO range, heating 6 bar – structure, dimensions, materials, weights and delivery lengths	1.400	Electro-fusion joint
1.116	CALPEX DUO range, heating 6 bar – structure, dimensions, materials, weights and delivery lengths	1.405	End cap, standard, shrinkable
1.120	CALPEX UNO/DUO range, sanitary 10 bar – structure, dimensions, materials, weights and delivery lengths	1.410	Wall sealing ring, for wall openings
1.125	CALPEX QUADRIGA range, heating 6 bar, sanitary 10 bar – structure, dimensions, materials, weights and delivery lengths	1.415	Building entry, wall opening/core bore
1.2	Planning, design engineering	1.420	Wall seal, core bores/cement pipe liners
1.200	Pressure loss chart, heating, 6 bar	1.425	Building entry, core bores/cement pipe liners
1.205	Pressure loss chart, sanitary, 10 bar	1.430	Pipe warning tape
1.210	Heat loss, heating, 6 bar	1.5	Underground construction, installation
1.215	Heat loss, sanitary, 10 bar	1.500	Pipe routing
1.220	Heat loss, heating 6 bar, sanitary 10 bar, QUADRIGA	1.505	Trench dimensions
1.225	Planning and connection technology, heating strip, sanitary, 10 bar	1.510	Connection (rigid/flexible), CALPEX plastic casing pipe
1.3	Components	1.515	House entry, screwed connector, shaft entry, fixed point forces
1.300	House entry bend 90°, heating 6 bar, UNO and DUO	1.520	House connection, compression joint, shaft entry, fixed point forces
1.305	House entry bend 90°, sanitary 10 bar, UNO and DUO	1.525	Installation of house entry
1.310	House entry bend 90°, heating 6 bar, sanitary 10 bar, QUADRIGA	1.530	Installation tool, general and for screwed connector
1.315	CALPEX L-shell	1.535	Installation tool, for joint with sliding sleeves
1.316	CALPEX Big L-shell	1.540	Heating strip, sanitary, 10 bar, drawing in, sensor, joint
1.320	Joint (PE-HD shrink sleeve)		
1.325	CALPEX I-shell		
1.326	CALPEX Big I-shell		
1.330	CALPEX T-shell		
1.335	CALPEX Big T-shell		
1.340	T-joint		
1.345	Y-pipe, heating, 6 bar		
1.350	Distribution chamber		
1.355	Distribution chamber, installation		
1.360	Concrete protective plate for distribution shaft		
1.365	Insulation material, PE foam PUR foam containers		

System description

1. General

CALPEX district heating pipe is the registered trade name for a flexible pipe system from Brugg Pipe Systems, specifically designed for the low temperature use. It is ideal for use in small and midsize district and local heating networks, in industrial and agricultural applications, for drinking water supplies, sewage systems, cooling systems and swimming pool installations.

CALPEX district heating pipe has a carrier pipe made of cross-linked polyethylene, PEXa. This material was selected because of its excellent thermal and mechanical properties. It is a corrosion-proof and chemically resistant material. The product is free of harmful substances, making it exceptionally environment-friendly.

The PEXa pipe in the heating series is equipped with an oxygen diffusion barrier (EVOH).

The thermal insulation is CFC-free flexible rigid polyurethane foam with excellent insulation values.

The bending capability of CALPEX district heating pipe means that it is generally possible to pass over or under existing supply pipes and obstacles can be easily bypassed.

With CALPEX district heating pipe, users can choose the shortest pipe route without the restrictions required by the classical method of pipe construction.

The flexible CALPEX district heating pipe is delivered to the site continuously in coils or on a cable drum. Long delivery lengths enable pipes to be laid in the ground largely without joints. This means that the pipe trench can be considerably narrower. This in turn allows considerable savings on underground work, especially as regards DUO pipes.

Taking account of the very short time required for installation, CALPEX district heating pipe is not only the technically ideal solution but also the key to saving time and expense when setting up district heating networks; less co-ordination is required on site and the pipes are laid simply and quickly.

The physical properties of the PEXa pipe combined with the composite insulation mean that thermal expansion can be ignored when using this product.

Installing the connecting pieces is very simple. The joints are fitted quickly and reliably with conventional screwed connectors, compression joints or electro-fusion joints. The wide range of accessories ensures that solutions can be chosen for every possible situation.

CALPEX district heating pipes are manufactured according to the current standard (EN 15632-1 /-2).

2. Range of applications

Heating, pipe series 5 (SDR 11):

Max. temp. for
continuous operation T_{Bmax} : 80 °C
Max. permitted
operating temp. T_{max} : 95 °C (fluctuating)
Max. permitted
operating pressure p: 6 bar

see sheet CPX 1.110

Sanitary, pipe series 3.2 (SDR 7.4):

Max. temp. for
continuous operation T_{Bmax} : 80 °C
Max. permitted
operating temp. T_{max} : 95 °C (fluctuating)
Max. permitted
operating pressure p: 10 bar

see sheet CPX 1.110

System description

1. Bonded system

Requirements: Factory insulated, flexible pipe systems according EN 15632-1/-2
 Fire behaviour: Building material class B2 (normally inflammable) according to DIN 4102

2. Carrier pipe

Materials: Basic material: High-density polyethylene (PE-HD), peroxide cross-linked (PEXa), colour: natural
 Bonding agent: PE-modified, heat-stabilized, colour: red (heating), silver (sanitary)
 Oxygen barrier layer: Ethylene / vinyl alcohol (EVOH), heat-stabilized, colour: natural
 Requirements: As per DIN 16892 / DIN 16893 and E DIN EN 12318-2, pipes in series 3.2
 as per DVGW worksheet W 544
 Impermeability to oxygen: As per DIN 4729 at 40 °C, oxygen permeability based on the interior pipe volume
 as per DIN 4726 from $\leq 0.10 \text{ g}/(\text{m}^3 \times \text{d})$
 Pipe series DIN 16893: Series 5 (SDR 11): for heating (with EVOH barrier)
 Series 3.2 (SDR 7.4): for sanitary (with EVOH barrier)
 Long-term behaviour: See catalog sheet CPX 1.110
 Properties: Unaffected by aggressive water; low pressure losses; very good chemical and mechanical resistance

PEXa carrier pipe	Reference temperature °C	Value	Test standard
Density	-	932 - 935 kg/m ³	ISO 1183
Thermal conductivity	-	0.38 W/mK	in Anlehnung an ASTM C 1113
Tensile strength	20	min. 18 N/mm ²	ISO 6259
Tensile strength	80	min. 8 N/mm ²	ISO 6259
Modulus of elasticity	20	600 N/mm ²	ISO 527
Modulus of elasticity	80	200 N/mm ²	ISO 527
Linear expansion coefficient	20	$1.4 \cdot 10^{-4} \text{ 1/K}$	-
Linear expansion coefficient	100	$2.0 \cdot 10^{-4} \text{ 1/K}$	-
Crystallite melting range	-	128 - 134 °C	-
Chem. resistance	20 / 40 / 60	-	DIN 8075 B.1

3. Thermal insulation

Materials:

CALPEX heating

CFC-free, cyclopentane-blown polyurethane foam (PUR)

CALPEX sanitary

CFC-free, 100 % CO₂-blown polyurethane foam (PUR)

PUR insulation	Reference temperature °C	CALPEX heating	CALPEX sanitary	Test standard
Density	-	> 50 kg/m ³	> 50 kg/m ³	EN 253
Axial shear strength	-	≥ 90 kPa	-	EN 15632-2
Thermal conductivity flexible systems*	50	≤ 0.0216 W/mK	≤ 0.0234 W/mK	EN 253 and ISO 8497
Thermal conductivity rigid systems	50	≤ 0.0260 W/mK	-	EN 253 and ISO 8497
Percentage of closed cells	-	≥ 90 %	≥ 90 %	EN 253
Water absorption	100	≤ 10 %	≤ 10 %	EN 15632-1

Note:

Due to the planned revision of standards, the heat losses are not shown as specified within EN 15632.

4. Protective casing

Materials:

linear polyethylene, low density (LLD-PE), seamlessly extruded

Purpose:

mechanical protection and moisture resistance

LLD-PE protective casing	Reference temperature °C	Value	Test standard
Density	-	918 - 922 kg/m ³	ISO 1183
Thermal conductivity	-	0.33 W/mK	DIN 52612
Crystallite melting range	-	122 °C	ISO 11357-3

Long-term behaviour

Lifetime calculation

Operating temperature: °C	Heating (pipe series 5 / SDR 11) Operating pressure (bar)					Sanitary (pipe series 3.2 / SDR 7.4) Operating pressure (bar)				
	1 year	5 year	10 year	25 year	50 year	1 year	5 year	10 year	25 year	50 year
10	17.9	17.5	17.4	17.2	17.1	28.3	27.8	27.6	27.3	27.1
20	15.8	15.5	15.4	15.2	15.1	25.1	24.6	24.4	24.2	24.0
30	14.0	13.8	13.7	13.5	13.4	22.3	21.9	21.7	21.4	21.3
40	12.5	12.2	12.1	12.0	11.9	19.8	19.4	19.3	19.1	18.9
50	11.1	10.9	10.8	10.7	10.6	17.7	17.3	17.2	17.0	16.8
60	9.9	9.7	9.7	9.5	9.5	15.8	15.5	15.3	15.2	15.0
70	8.9	8.7	8.6	8.5	8.5	14.1	13.8	13.7	13.6	13.4
80	8.0	7.8	7.7	7.6	-	12.7	12.4	12.3	12.1	-
90	7.2	7.0	6.9	-	-	11.4	11.1	11.0	-	-
95	6.8	6.6	6.6	-	-	10.8	10.6	10.5	-	-

1 MPA = 10 bar

Long-term behaviour: (table)

The values have a safety factor of 1.25 and are based on a series of measurements covering an average of 32,000 hours. They can be compared with Table 5 as per DIN 16893. All values have been tested and confirmed by the competent organizations in various countries. The max. operating temperature is 95 °C but considers a short-term over temperature (fault temperature) of 110 °C.

A typical fluctuating temperature distribution for the flow in a district heating system gives an average temperature/year of approx. 66 °C.

Lifetime calculation using Miner's Rule

Lifetime calculation for fluctuating operating temperatures will be calculated acc. EN ISO 13760.

Example of application

The basis is a typical temperature collective over one year, with fluctuating operation. (gem. EN 15632-2)

1 year = 365 days = 8760 hours.

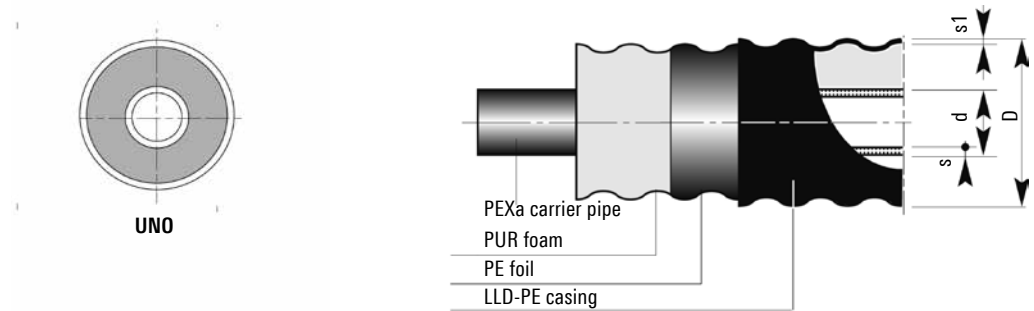
Operating Temperature °C	Example 1 Annual Operating time h	Example 2 Annual Operating time h	Example 3 Annual Operating time h
95	3,3	0	0
90	292	50	50
85	0	100	1000
80	8468	200	3450
75	0	2000	1000
70	0	2410	0
65	0	4000	0
60	0	0	0
total	8763,3	8760	5500

CALPEX UNO range

Heating, 6 bar

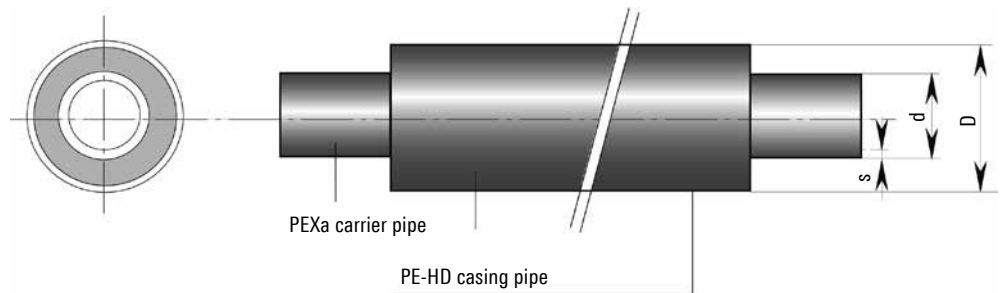
CALPEX in coils:

Dimensions:
CPX 25/76 - 140/202



CALPEX in straight lengths:

Dimensions:
CPX 160/250



CALPEX heating, 6 bar, UNO

Type	PEX carrier pipe d x s mm	Nominal diameter		Outer casing D x s1 mm	Minimum bending radius m	Volume Carrier pipe l/m	Weight kg/m	Maximum delivery lengths*	
		DN	Inches "					Jumbo coil m	Maxi coil m
25/ 76	25 x 2.3	20	¾	78 x 1.9	0.45	0.32	0.90	700	1000
25/ 91 PLUS				93 x 2.1	0.65	0.32	1.00	450	715
32/ 76	32 x 2.9	25	1	78 x 1.9	0.50	0.53	1.00	700	1000
32/ 91 PLUS				93 x 2.1	0.70	0.53	1.38	450	715
40/ 91	40 x 3.7	32	1¼	93 x 2.1	0.55	0.83	1.39	450	715
40/111 PLUS				113 x 2.3	0.75	0.83	1.98	300	450
50/111	50 x 4.6	40	1½	113 x 2.3	0.60	1.30	1.97	300	450
50/126 PLUS				128 x 2.7	1.20	1.30	2.20	192	291
63/126	63 x 5.8	50	2	128 x 2.7	1.00	2.07	2.60	192	291
63/142 PLUS				143 x 2.9	0.85	2.07	3.49	160	260
75/142	75 x 6.8	65	2½	143 x 2.9	0.70	2.96	3.39	160	260
75/162 PLUS				163 x 3.2	0.90	2.96	4.35	92	149
90/162	90 x 8.2	80	3	163 x 3.2	1.00	4.25	4.56	92	149
90/182 PLUS				183 x 3.3	1.20	4.25	4.90	52	86
110/162	110 x 10.0	100	4	163 x 3.2	1.10	6.36	5.10	92	149
110/182				183 x 3.3	1.20	6.36	5.68	52	86
110/202 PLUS**				202 x 3.3	1.40	6.36	6.94	46	80
125/182	125 x 11.4	125	5	183 x 3.3	1.30	8.20	6.37	52	86
125/202 PLUS**				202 x 3.3	1.50	8.20	7.80	46	80
140/202	140 x 12.7	125	5	202 x 3.3	1.40	10.31	7.60	46	80
160/250	160 x 14.6	150	6	250 x 3.9	-	13.43	11.31	12	12

* Supply as section length, as coils and on drums possible. The delivered coil length may vary (+/- 5%)

** Available on request

- We will produce different dimensions or special items on request (> 500 m).
- Larger or smaller delivery lengths can be supplied on drums if requested.
- Coil dimensions: **Jumbo coil** outer diameter 2800 mm x 800 mm (width)
Maxi coil outer diameter 2800 mm x 1200 mm (width)

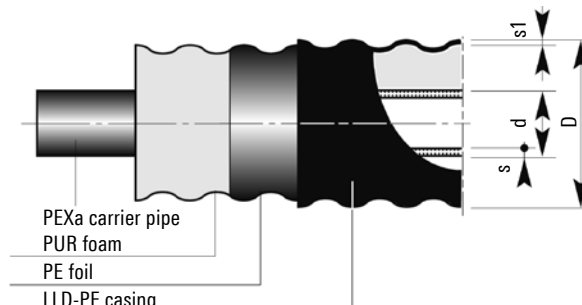
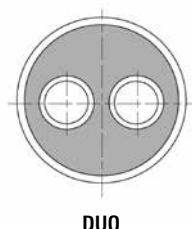
CALPEX DUO range

Heating, 6 bar

CALPEX in coils:

Dimensions:

CPX 25/76 - 140/202



CALPEX heating, 6 bar, DUO

Type	PEX carrier pipe d x s mm	Nominal diameter		Outer casing D x s1 mm	Minimum bending radius m	Volume Carrier pipe l/m	Weight kg/m	Maximum delivery lengths*	
		DN	Inches "					Jumbo coil m	Maxi coil m
25 + 25/ 91	2 x 25 x 2.3	20 + 20	2 x ¾	93 x 2.1	0.55	2 x 0.32	1.34	450	715
25 + 25/111 PLUS				113 x 2.3	0.75	2 x 0.32	1.91	300	450
32 + 32/111	2 x 32 x 2.9	25 + 25	2 x 1	113 x 2.3	0.60	2 x 0.53	1.87	300	450
32 + 32/126 PLUS				128 x 2.7	1.20	2 x 0.53	2.49	192	291
40 + 40/126	2 x 40 x 3.7	32 + 32	2 x 1¼	128 x 2.7	1.00	2 x 0.83	2.48	192	291
40 + 40/142 PLUS				143 x 2.9	0.85	2 x 0.83	3.28	160	260
50 + 50/162	2 x 50 x 4.6	40 + 40	2 x 1½	163 x 3.2	1.10	2 x 1.30	3.96	92	149
50 + 50/182 PLUS				183 x 3.3	1.30	2 x 1.30	5.05	52	86
63 + 63/182	2 x 63 x 5.8	50 + 50	2 x 2	183 x 3.3	1.20	2 x 2.07	5.28	52	86
63 + 63/202 PLUS**				202 x 3.3	1.40	2 x 2.07	5.90	46	80

* Supply as section length, as coils and on drums possible. The delivered coil length may vary (+/- 5%)

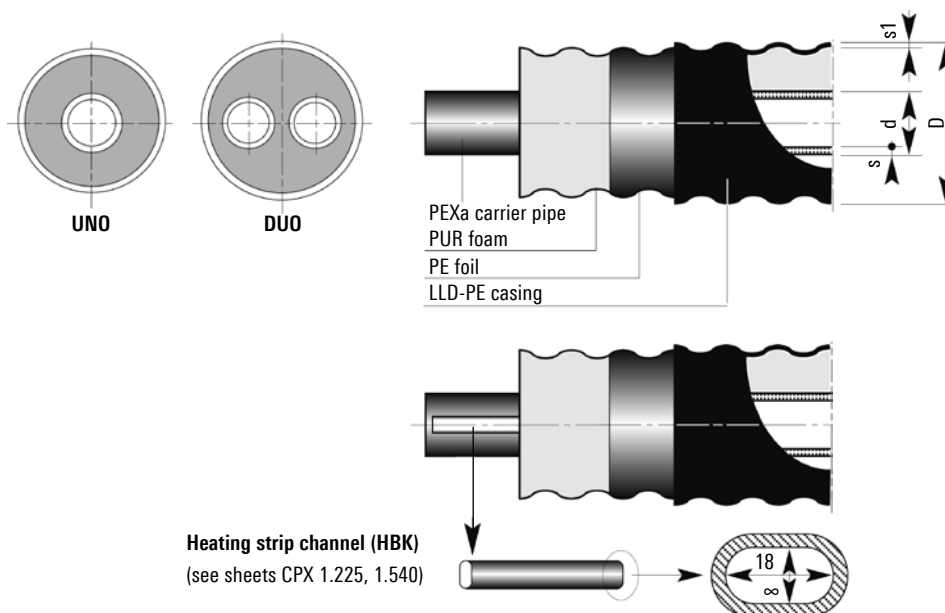
** Available on request

- We will produce different dimensions or special items on request (> 500 m).
- Larger or smaller delivery lengths can be supplied on drums if requested.
- Coil dimensions:

Jumbo coil	outer diameter 2800 mm x 800 mm (width)
Maxi coil	outer diameter 2800 mm x 1200 mm (width)

CALPEX UNO/DUO range

Sanitary, 10 bar



CALPEX sanitary, 10 bar, UNO

Type	Nominal diameter		PEX carrier pipe d x s mm	Outer casing D x s1 mm	Minimum bending radius m	Volume carrier pipe l/m	Weight kg/m	Maximum delivery lengths*	
	DN	Inches "						Jumbo coil m	Maxi coil m
22/ 76	16	5/8	22 x 3.0	78 x 2.0	0.45	0.201	0.96	700	1000
28/ 76	20	3/4	28 x 4.0	78 x 2.0	0.50	0.314	1.06	700	1000
32/ 76	25	1	32 x 4.4	78 x 2.0	0.50	0.423	1.12	700	1000
40/ 91	32	1 1/4	40 x 5.5	93 x 2.2	0.55	0.660	1.56	450	715
50/111	40	1 1/2	50 x 6.9	113 x 2.4	0.60	1.029	2.25	300	450
63/126	50	2	63 x 8.7	128 x 2.7	1.00	1.633	3.06	192	291
32/111 HBK	25	1	32 x 4.4	113 x 2.4	0.60	0.423	1.83	300	450
40/126 HBK	32	1 1/4	40 x 5.5	128 x 2.7	1.00	0.660	2.49	192	291
50/126 HBK	40	1 1/2	50 x 6.9	128 x 2.7	1.00	1.029	2.76	192	291

CALPEX sanitary, 10 bar, DUO

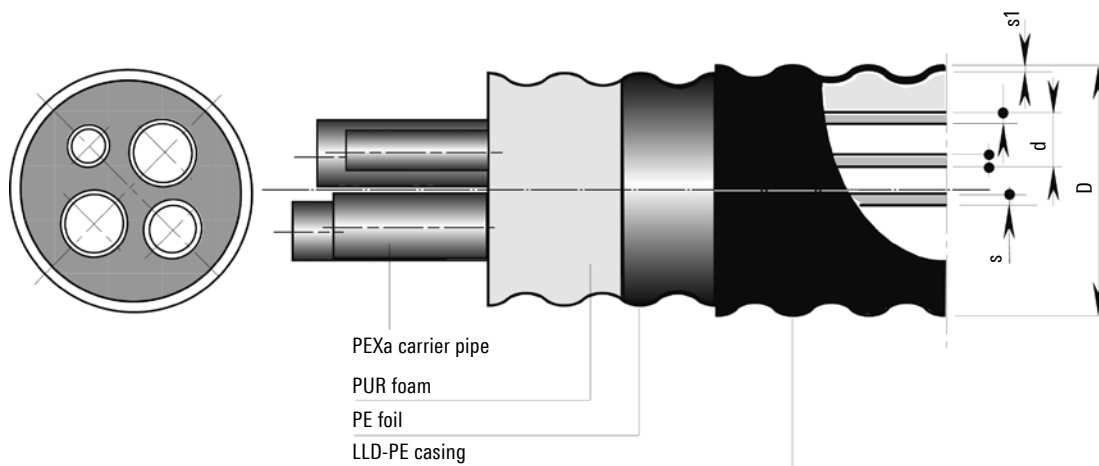
Type	Nominal diameter		PEX carrier pipe d x s mm	Outer casing D x s1 mm	Minimum bending radius m	Volume carrier pipe l/m	Weight kg/m	Maximum delivery lengths*	
	DN	Inches "						Jumbo coil m	Maxi coil m
28 + 22/91	20 + 16	3/4 + 5/8	28 x 4.0 + 22 x 3.0	93 x 2.2	0.55	0.314 + 0.201	1.47	450	715
32 + 22/111	25 + 16	1 + 5/8	32 x 4.4 + 22 x 3.0	113 x 2.4	0.60	0.423 + 0.201	1.95	300	450
40 + 28/126	32 + 20	1 1/4 + 3/4	40 x 5.5 + 28 x 4.0	128 x 2.7	1.00	0.660 + 0.314	2.60	192	291
50 + 32/126	40 + 25	1 1/2 + 1	50 x 6.9 + 32 x 4.4	128 x 2.7	1.00	1.029 + 0.423	2.96	192	291

* Supply as section length, as coils and on drums possible. The delivered coil length may vary (+/- 5%)

- We will produce different dimensions or special items on request (> 500 m).
- Larger or smaller delivery lengths can be supplied on drums if requested.
- Coil dimensions: **Jumbo coil** outer diameter 2800 mm x 800 mm (width)
Maxi coil outer diameter 2800 mm x 1200 mm (width)

CALPEX QUADRIGA range

Heating 6 bar, sanitary 10 bar



CALPEX, heating 6 bar, sanitary 10 bar, QUADRIGA

Type	Nominal diameter		Carrier pipe d x s mm	Outer casing D x s1 mm	Minimum bending radius m	Volume carrier pipe l/m	Weight kg/m	Maximum delivery length*	
	DN	Inches "						Jumbo coil m	Maxi coil m
H25 + 25/S28 + 22/142	20	¾	25 x 2.3	143 x 3.0	0.7	0.327	3.25	110	180
	20	¾	25 x 2.3						
	20	¾	28 x 4.0						
	16	⅝	22 x 3.0						
H32 + 32/S28 + 22/142	25	1	32 x 2.9	143 x 3.0	0.7	0.539	3.39	110	180
	25	1	32 x 2.9						
	20	¾	28 x 4.0						
	16	⅝	22 x 3.0						
H32 + 32/S32 + 22/142	25	1	32 x 2.9	143 x 3.0	0.7	0.539	3.41	110	180
	25	1	32 x 2.9						
	25	1	32 x 4.4						
	16	⅝	22 x 3.0						
H40 + 40/S40 + 28/162	32	1¼	40 x 3.7	163 x 3.2	1.1	0.835	4.15	65	105
	32	1¼	40 x 3.7						
	32	1¼	40 x 5.5						
	20	¾	28 x 4.0						

* Supply as section length, as coils and on drums possible. The delivered coil length may vary (+/- 5%)

- We will produce different dimensions or special items on request (> 500 m).
- Larger or smaller delivery lengths can be supplied on drums if requested.
- Coil dimensions:

Jumbo coil	outer diameter 2800 mm x 800 mm (width)
Maxi coil	outer diameter 2800 mm x 1200 mm (width)

Pressure loss chart

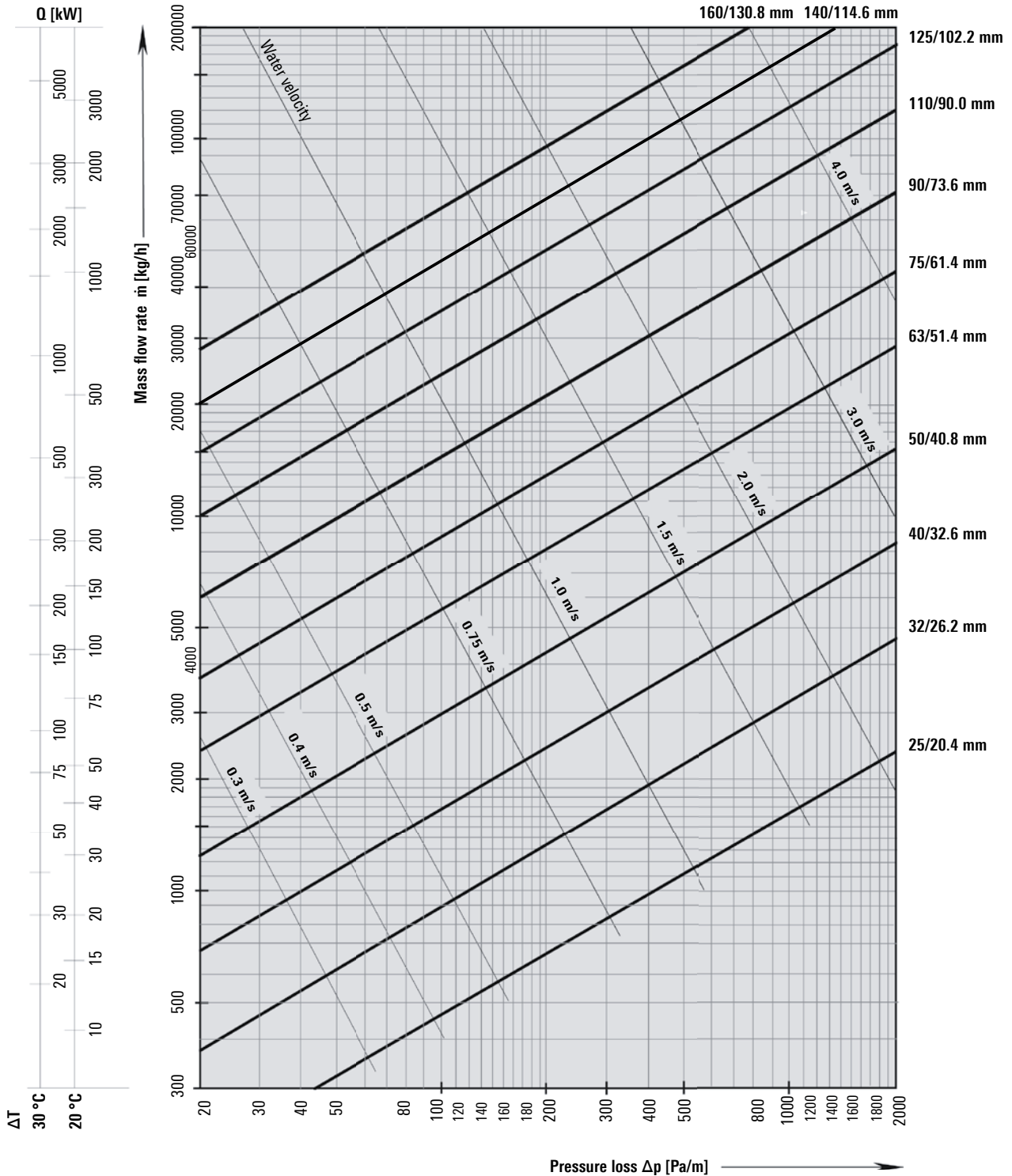
Heating, 6 bar

Water temperature 80 °C

Surface roughness $\epsilon = 0.007$ mm (PEXa)

(1 mmWS = 9.81 Pa)

$\dot{m} \approx \frac{Q \cdot 860}{\Delta T}$	\dot{m} =	Flow rate in kg/h
	Q =	Power requirement in kW
	ΔT =	Temperature difference VL (flow)/RL (return) in °C



Pressure loss chart

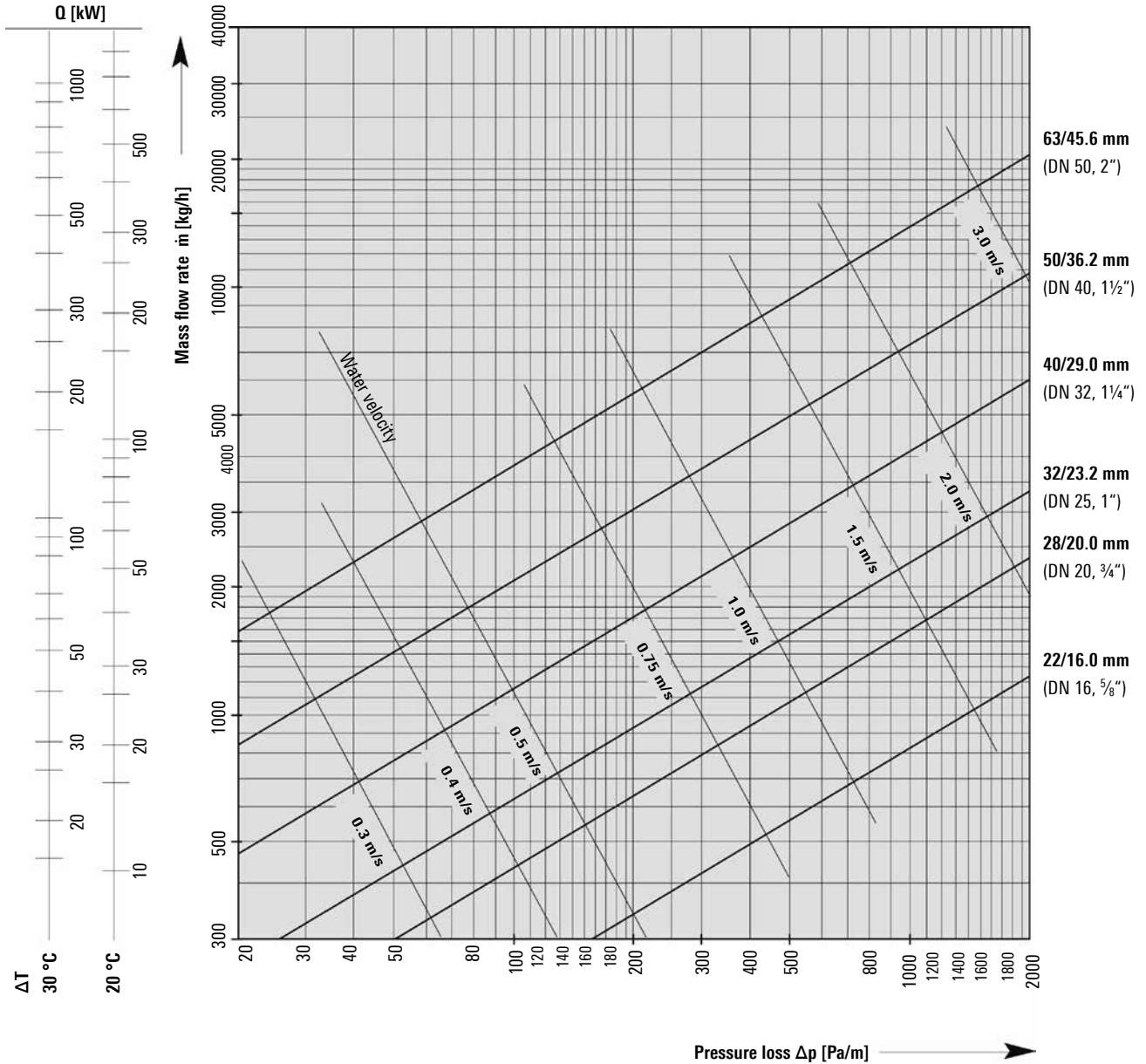
Sanitary, 10 bar

Water temperature 60 °C

Surface roughness $\epsilon = 0.007$ mm (PEXa)

(1 mmWS = 9.81 Pa)

$\dot{m} \approx \frac{Q \cdot 860}{\Delta T}$	\dot{m} =	Flow rate in kg/h
	Q =	Power requirement in kW
	ΔT =	Temperature difference
		VL (flow)/RL (return) in °C

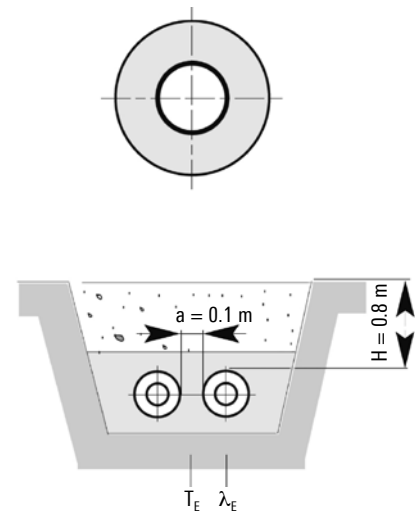


Heat loss

Heating, 6 bar

CALPEX UNO

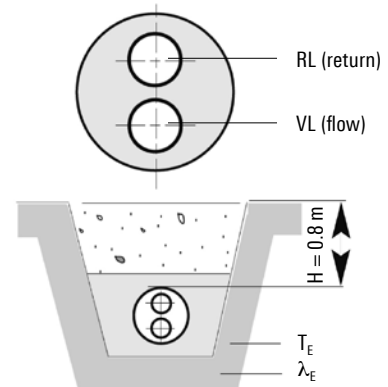
Heat losses q [W/m] for one UNO pipe						
CALPEX UNO	U-value [W/mK]	Average operating temperature T_B [°C]				
		40°	50°	60°	70°	80°
25/ 76	0.1142	3.43	4.57	5.71	6.85	7.99
25/ 91 PLUS	0.0993	2.98	3.97	4.97	5.96	6.95
32/ 76	0.1442	4.33	5.77	7.21	8.65	10.09
32/ 91 PLUS	0.1212	3.64	4.85	6.06	7.27	8.48
40/ 91	0.1510	4.53	6.04	7.55	9.06	10.57
40/111 PLUS	0.1236	3.71	4.94	6.18	7.42	8.65
50/111	0.1551	4.65	6.20	7.76	9.31	10.86
50/126 PLUS	0.1360	4.08	5.44	6.80	8.16	9.52
63/126	0.1767	5.30	7.07	8.84	10.60	12.37
63/142 PLUS	0.1539	4.62	6.16	7.70	9.23	10.77
75/142	0.1908	5.72	7.63	9.54	11.45	13.36
75/162 PLUS	0.1616	4.85	6.46	8.08	9.70	11.31
90/162	0.2057	6.17	8.23	10.29	12.34	14.40
90/182 PLUS	0.1747	5.24	6.99	8.74	10.48	12.23
110/162	0.2957	8.87	11.83	14.79	17.74	20.70
110/182	0.2355	7.07	9.42	11.78	14.13	16.49
110/202 PLUS	0.1992	5.98	7.97	9.96	11.95	13.94
125/182	0.3026	9.08	12.10	15.13	18.16	21.18
125/202 PLUS	0.2771	8.31	11.08	13.86	16.63	19.40
140/202	0.3084	9.25	12.34	15.42	18.50	21.59
160/250*	0.3028	9.08	12.11	15.14	18.17	21.20



CALPEX DUO

(flow and return in one pipe)

Heat losses q [W/m] for one DUO pipe						
CALPEX DUO	U-value [W/mK]	Average operating temperature T_B [°C]				
		40°	50°	60°	70°	80°
25 + 25/ 91	0.1786	5.36	7.14	8.93	10.72	12.50
25 + 25/111 PLUS	0.1392	4.18	5.57	6.96	8.35	9.74
32 + 32/111	0.1829	5.49	7.32	9.15	10.97	12.80
32 + 32/126 PLUS	0.1571	4.71	6.28	7.86	9.43	11.00
40 + 40/126	0.2108	6.32	8.43	10.54	12.65	14.76
40 + 40/142 PLUS	0.1741	5.22	6.96	8.71	10.45	12.19
50 + 50/162	0.1954	5.86	7.82	9.77	11.72	13.68
50 + 50/182 PLUS	0.1662	4.99	6.65	8.31	9.97	11.63
63 + 63/182	0.2381	7.14	9.52	11.91	14.29	16.67
63 + 63/202 PLUS	0.2075	6.23	8.30	10.38	12.45	14.53



Note:

Due to the planned revision of standards, the heat losses are not shown as specified within EN 15632.

- Type of installation, CPX UNO: 2-pipe, laid in the ground
- Type of installation, CPX DUO: 1-pipe, laid in the ground
- Pipe distance: $a = 0.10 \text{ m}$
- Cover above pipe: $H = 0.80 \text{ m}$
- Ground temperature: $T_E = 10 \text{ °C}$
- Soil conductivity: $\lambda_E = 1.0 \text{ W/mK}$
- Conductivity of PUR foam: $\lambda_{PU} = 0.0216 \text{ W/mK}$
- *Conductivity of PUR foam: $\lambda_{PU} = 0.0260 \text{ W/mK}$
- Conductivity of PEX pipe: $\lambda_{PEXa} = 0.38 \text{ W/mK}$
- Conductivity of PE pipe: $\lambda_{PE} = 0.33 \text{ W/mK}$

Heat loss during operation:

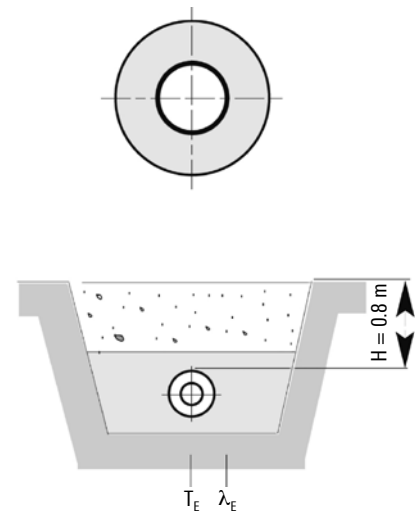
- $q = U (T_B - T_E) \text{ [W/m]}$
- $U = \text{Heat transfer coefficient [W/mK]}$
- $T_B = \text{Average operating temperature [°C]}$
- $T_E = \text{Average ground temperature [°C]}$
- $VL = \text{Flow}$
- $RL = \text{Return}$

Heat loss

Sanitary, 10 bar

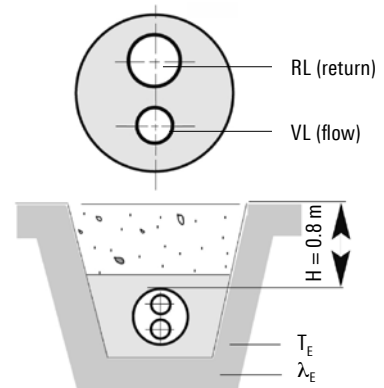
CALPEX UNO

Heat losses q [W/m] for one UNO pipe						
CALPEX UNO	U-value [W/mK]	Average operating temperature T_B [°C]				
		40°	50°	60°	70°	80°
22/ 76	0.1131	3.39	4.52	5.66	6.79	7.92
28/ 76	0.1387	4.16	5.55	6.94	8.32	9.71
32/ 76	0.1588	4.76	6.35	7.94	9.53	11.12
40/ 91	0.1666	5.00	6.66	8.33	10.00	11.66
50/111	0.1713	5.14	6.85	8.57	10.28	11.99
63/126	0.1957	5.87	7.83	9.79	11.74	13.70
32/111 HBK	0.1127	3.38	4.51	5.64	6.76	7.89
40/126 HBK	0.1220	3.66	4.88	6.10	7.32	8.54
50/126 HBK	0.1497	4.49	5.99	7.49	8.98	10.48



CALPEX DUO

Heat losses q [W/m] for one DUO pipe						
CALPEX DUO	U-value [W/mK]	Average operating temperature T_B [°C]				
		40°	50°	60°	70°	80°
28 + 22/91	0.1956	5.87	7.82	9.78	11.74	13.69
32 + 22/111	0.1677	5.03	6.71	8.39	10.06	11.74
40 + 28/126	0.1878	5.63	7.51	9.39	11.27	13.15
50 + 32/126	0.2476	7.43	9.90	12.38	14.86	17.33



Type of installation, CPX UNO: 1-pipe, laid in the ground
 Type of installation, CPX DUO: 1-pipe, laid in the ground
 Cover above pipe: $H = 0.80$ m
 Ground temperature: $T_E = 10$ °C
 Soil conductivity: $\lambda_E = 1.0$ W/mK
 Conductivity of PUR foam: $\lambda_{PU} = 0.0234$ W/mK
 Conductivity of PEX pipe: $\lambda_{PEXa} = 0.38$ W/mK
 Conductivity of PE pipe: $\lambda_{PE} = 0.33$ W/mK

Heat loss during operation:

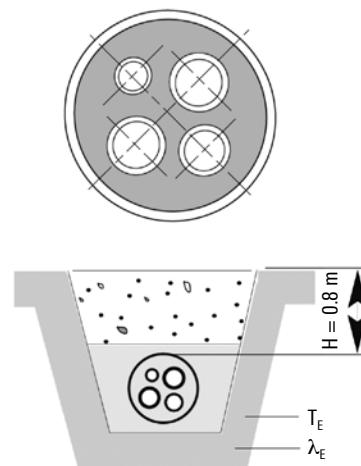
$q = U (T_B - T_E)$ [W/m]
 U = Heat transfer coefficient [W/mK]
 T_B = Average operating temperature [°C]
 T_E = Average ground temperature [°C]

Heat loss

Heating 6 bar, sanitary 10 bar, QUADRIGA

CALPEX QUADRIGA

Heat losses q [W/m] for one QUADRIGA pipe					
CALPEX QUADRIGA	U-value [W/mK]	Average operating temperature T _B [°C]			
		50°	55°	60°	65°
H 25 + 25/S 28 + 22/142	0.159	6.34	7.13	7.93	8.72
H 32 + 32/S 28 + 22/142	0.184	7.34	8.26	9.18	10.10
H 32 + 32/S 32 + 22/142	0.199	7.97	8.96	9.96	10.96
H 40 + 40/S 40 + 28/162	0.235	9.40	10.58	11.75	12.93



Type of installation for QUADRIGA: 1-pipe, laid in the ground

- Cover above pipe: H = 0.80 m
- Ground temperature: T_E = 10 °C
- Soil conductivity: λ_E = 1.0 W/mK
- Conductivity of PUR foam: λ_{PU} = 0.0234 W/mK
- Conductivity of PEXa pipe: λ_{PEX} = 0.38 W/mK
- Conductivity of PE pipe: λ_{PE} = 0.33 W/mK

Heat loss during operation:

- $q = U (T_B - T_E)$ [W/m]
- U = Heat transfer coefficient [W/mK]
- T_B = Average operating temperature [°C]
- T_E = Average ground temperature [°C]

CALPEX QUADRIGA - heat loss during operation

Example of calculation for average operating temperature T_B [°C]

- Flow - heating: 70 °C
- Return - heating: 40 °C
- Flow - sanitary: 60 °C
- Return - sanitary: 50 °C

$$T_B = \frac{70^\circ + 40^\circ + 60^\circ + 50^\circ}{4} = 55^\circ \text{C}$$

Planning and connection technology

Heating strip, sanitary, 10 bar

1. Requirements for heating strip

1.1 Minimum power

Type CALPEX UNO	In relation to a maintained temperature of:		
	40 °C	50 °C	60 °C
32/111	5.8 W/m	7.8 W/m	9.6 W/m
40/126	6.3 W/m	8.3 W/m	10.4 W/m
50/126	7.3 W/m	10.3 W/m	12.8 W/m

1.2 Recommendations for heating strip

Hot water:

HWAT-R from Tyco Thermal Controls N.V. meets the requirement for Ø 50/126, 60 °C
Automatic power adjustment with HWAT-ECO

Frost protection:

FS-B-2X from Tyco Thermal Controls N.V. requires thermostat with temperature sensor, UTR15

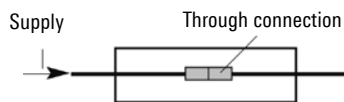
Max. heating circuit length in relation to a cut-in temperature of 12 °C (HWAT) or 0 °C (FS-B-2X)		
Heating strip type	Fuse	Length Lmax
HWAT-R	13 A	60 m
	16 A	80 m
	20 A	100 m
FS-B-2X	10 A	65 m
	16 A	105 m

Fuse protection using automatic cutouts with characteristic C

2. Joint

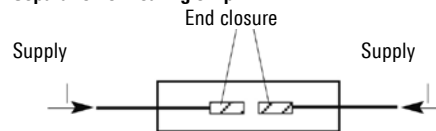
$$L \leq L_{max}^*$$

Through connection

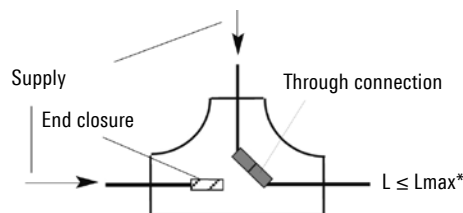
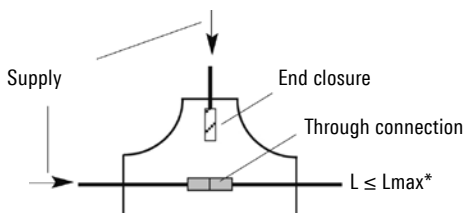


$$L \leq L_{max}^*$$

Separation of heating strip



3. T-branch



For the T-branch, note that the sum of two connected pipes must not be > Lmax*. T-switches **cannot** be supplied.

* Lmax = max. permitted length for heating strip

The heating strip and the accessories are installed by the electrician!

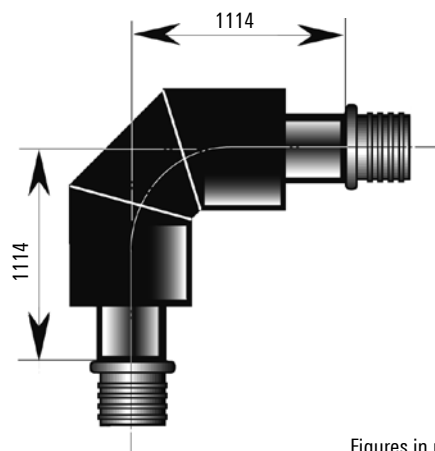
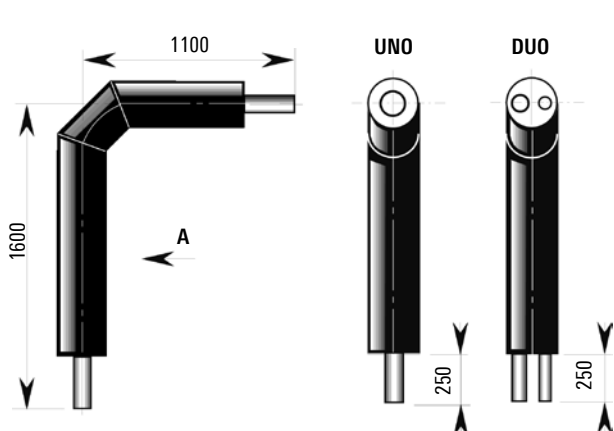
House entry bend, 90°

Heating 6 bar, UNO and DUO

Bend, 90°

Dimensions: CPX 25/76 - 125/182

Bend, 90° DN 150 (St 37.0) With welded-on compression coupling
Dimensions: CPX 140/202 - 160/250



Figures in mm

CALPEX UNO

Type	PEX carrier pipe d x s mm	Outer casing D x s1 mm	Volume carrier pipe l/m	Weight kg/unit
25/ 76	25 x 2.3	75 x 2.9	0.32	2.30
25/ 91 PLUS	25 x 2.3	90 x 3.5	0.32	-
32/ 76	32 x 2.9	75 x 2.9	0.53	2.50
32/ 91 PLUS	32 x 2.9	90 x 3.5	0.53	-
40/ 91	40 x 3.7	90 x 3.5	0.83	3.47
40/111 PLUS	40 x 3.7	110 x 4.3	0.83	-
50/111	50 x 4.6	110 x 4.3	1.30	4.92
50/126 PLUS	50 x 4.6	125 x 4.9	1.30	-
63/126	63 x 5.8	125 x 4.9	2.07	6.50
63/142 PLUS	63 x 5.8	140 x 4.4	2.07	-
75/142	75 x 6.8	140 x 4.4	2.96	8.47
75/162 PLUS	75 x 6.8	160 x 5.0	2.96	-
90/162	90 x 8.2	160 x 5.0	4.25	11.40
90/182 PLUS	90 x 8.2	180 x 5.6	4.25	-
110/162	110 x 10.0	160 x 5.0	6.36	14.23
110/182	110 x 10.0	180 x 5.6	6.36	16.19
110/202 PLUS	110 x 10.0	200 x 6.2	6.36	-
125/182	125 x 11.4	180 x 5.6	8.20	17.20
125/202 PLUS	125 x 11.4	200 x 6.2	8.20	-
140/225	140 x 12.7	225 x 6.9	13.79	40.95
160/250	160 x 14.6	250 x 6.2	20.18	58.40

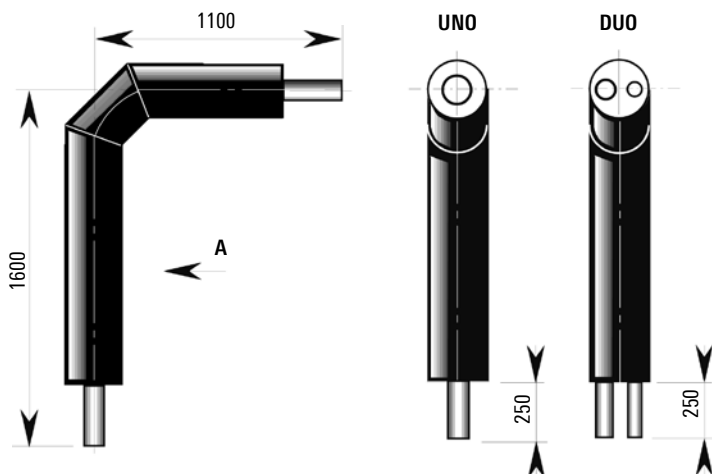
CALPEX DUO

Type	PEX carrier pipe d x s mm	Outer casing D x s1 mm	Volume carrier pipe l/m	Weight kg/unit
25 + 25/ 91	2 x 25 x 2.3	90 x 3.5	2 x 0.32	4.32
25 + 25/111 PLUS	2 x 25 x 2.3	110 x 4.3	2 x 0.32	-
32 + 32/111	2 x 32 x 2.9	110 x 4.3	2 x 0.53	4.67
32 + 32/126 PLUS	2 x 32 x 2.9	125 x 4.9	2 x 0.53	-
40 + 40/126	2 x 40 x 3.7	125 x 4.9	2 x 0.83	7.42
40 + 40/142 PLUS	2 x 40 x 3.7	140 x 4.3	2 x 0.83	-
50 + 50/162	2 x 50 x 4.6	160 x 5.0	2 x 1.30	9.90
50 + 50/182 PLUS	2 x 50 x 4.6	180 x 5.6	2 x 1.30	-
63 + 63/182	2 x 63 x 5.8	180 x 5.6	2 x 2.07	13.96
63 + 63/202 PLUS	2 x 63 x 5.8	200 x 6.2	2 x 2.07	-

House entry bend, 90°

Sanitary, 10 bar, UNO and DUO

Bend, 90° DN 16 - DN 50 (PEXa)



Figures in mm

CALPEX UNO

Type	DN	Inches	PEX carrier pipe d x s mm	Outer casing D x s1 mm	Volume carrier pipe l/m	Weight kg/unit
22/ 76	16	5/8	22 x 3.0	75 x 2.9	0.20	2.40
28/ 76	20	3/4	28 x 4.0	75 x 2.9	0.31	2.65
32/ 76	25	1	32 x 4.4	75 x 2.9	0.42	2.80
40/ 91	32	1 1/4	40 x 5.5	90 x 3.5	0.66	3.90
50/111	40	1 1/2	50 x 6.9	110 x 4.3	1.02	5.62
63/126	50	2	63 x 8.7	125 x 4.9	1.63	7.65

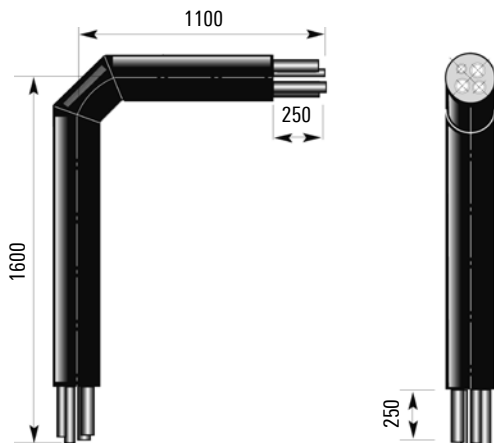
CALPEX DUO

Type	DN	Inches	PEX carrier pipe d x s mm	Outer casing D x s1 mm	Volume carrier pipe l/m	Weight kg/unit
28 + 22/ 91	20 + 16	3/4 + 5/8	28.0 x 4.0 + 22.0 x 3.0	90 x 3.5	0.31 + 0.20	3.67
32 + 22/111	25 + 16	1 + 5/8	32.0 x 4.4 + 22.0 x 3.0	110 x 4.3	0.42 + 0.20	4.87
40 + 28/126	32 + 20	1 1/4 + 3/4	40.0 x 5.5 + 28.0 x 4.0	125 x 4.9	0.66 + 0.31	6.50
50 + 32/126	40 + 25	1 1/2 + 1	50.0 x 6.9 + 32.0 x 4.4	125 x 4.9	1.02 + 0.42	7.30

House entry bend, 90°

Heating 6 bar, sanitary 10 bar, QUADRIGA

Bend, 90° DN 16 - DN 32



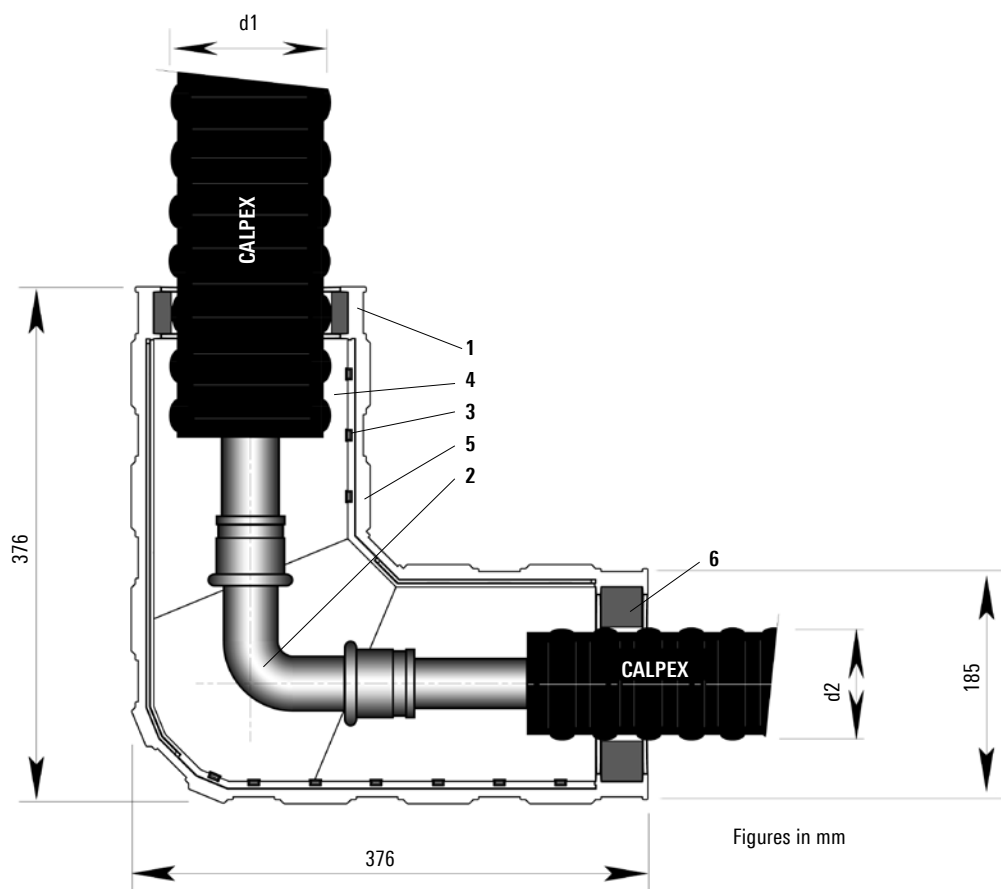
Figures in mm

CALPEX QUADRIGA

Type	DN	Inches	PEX carrier pipe d x s mm	Outer casing D x s1 mm	Volume carrier pipe l/m	Weight kg/unit
H25+25/S28+22/142	20	¾	25 x 2.3	140 x 4.4	0.327	8.12
	20	¾	25 x 2.3		0.327	
	20	¾	28 x 4.0		0.314	
	16	⅝	22 x 3.0		0.201	
H32+32/S28+22/142	25	1	32 x 2.9	140 x 4.4	0.539	8.47
	25	1	32 x 2.9		0.539	
	20	¾	28 x 4.0		0.314	
	16	⅝	22 x 3.0		0.201	
H32+32/S32+22/142	25	1	32 x 2.9	140 x 4.4	0.539	8.52
	25	1	32 x 2.9		0.539	
	25	1	32 x 4.4		0.423	
	16	⅝	22 x 3.0		0.201	
H40+40/S40+28/162	32	1¼	40 x 3.7	160 x 5.0	0.835	10.37
	32	1¼	40 x 3.7		0.835	
	32	1¼	40 x 5.5		0.660	
	20	¾	28 x 4.0		0.314	

CALPEX L-shell

Dimensions Ø 76 - 126 mm



Figures in mm

CALPEX L-shell, UNO/DUO

Outer casing Ø d1	Ø d2			
	76	91	111	126
76	x			
91		x		
111			x	
126				x

CALPEX shells are freely reducible from Ø 126 mm to Ø 76 mm
 CALPEX shells are not suitable for use with CALPEX QUADRIGA (distribution chamber: see CPX 1.350).

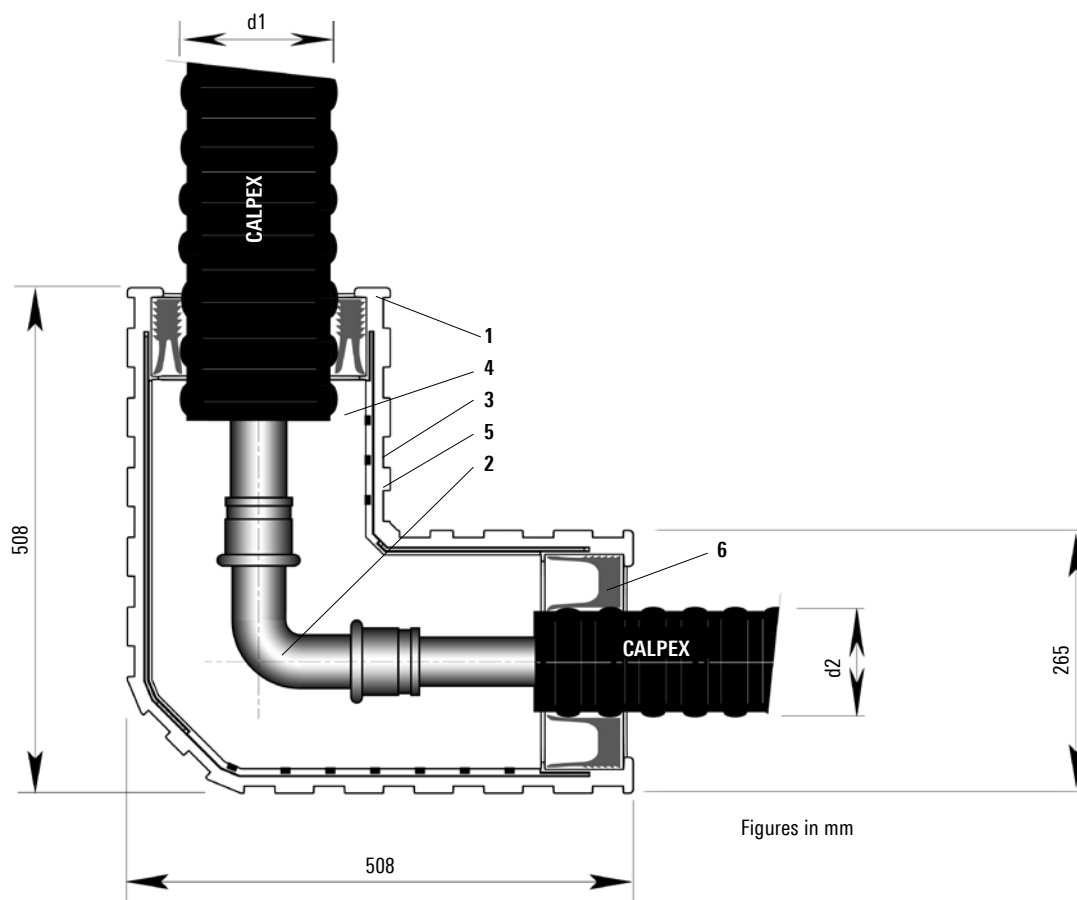
Note: CALPEX shells are not suggested to be installed UV exposed!

Structure of the half-shell

- 1 ABS half-shells
- 2 PEX angle coupling; see CPX 1.390
- 3 Sealing clamps (14 pcs.)
- 4 Insulation material; see CPX 1.365
- 5 Glued surface
- 6 Reduction ring or sealing ring

CALPEX Big L-shell

Dimensions Ø 142 - 182 mm



Figures in mm

CALPEX Big L-shell, UNO/DUO

Outer casing Ø d1	Ø d2		
	142	162	182
142	x		
162		x	
182			x

CALPEX Big-shells are freely reducible from Ø 182 mm to Ø 76 mm
 CALPEX shells are not suitable for use with CALPEX QUADRIGA (distribution chamber: see CPX 1.350).

Structure of the half-shell

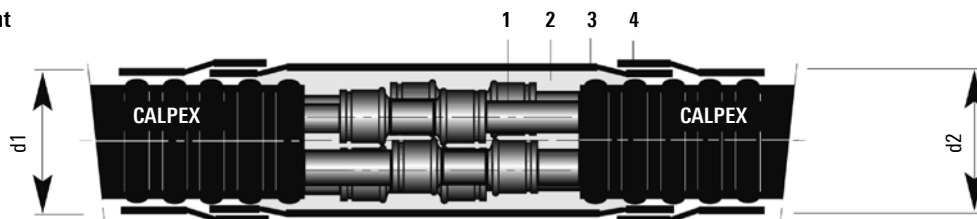
- 1 ABS half-shells
- 2 PEX angle coupling; see CPX 1.390
- 3 Sealing clamps (22 pcs.)
- 4 Insulation material; see CPX 1.365
- 5 Glued surface
- 6 Reduction ring or sealing ring

Note: CALPEX shells are not suggested to be installed UV exposed!

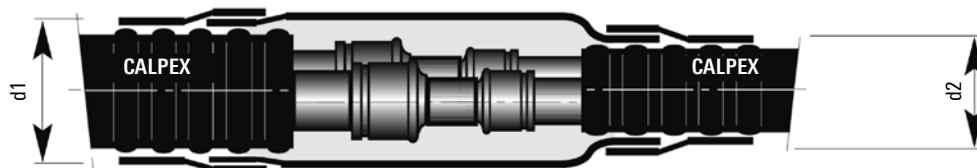
Joint using PE-HD shrink sleeve

Dimensions Ø 76 - 250 mm

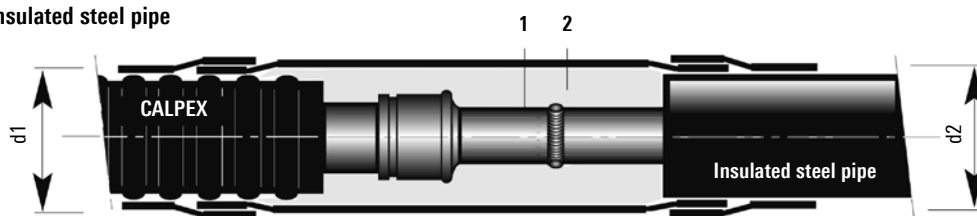
CALPEX joint



CALPEX reduction joint

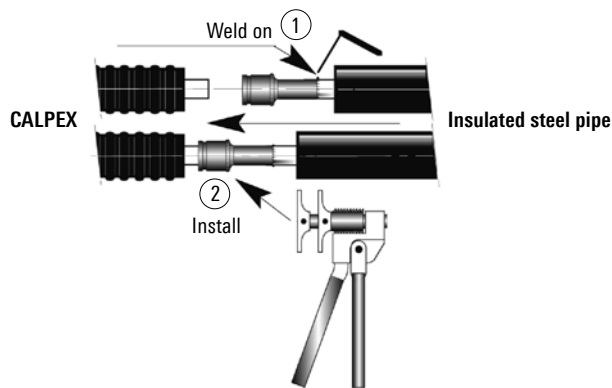


CALPEX – Insulated steel pipe



- 1 PEX coupling; see sheet 1.390
- 2 Insulation material, PUR or PE; see sheet 1.365
- 3 Shrink sleeve pipe
- 4 Shrink hose

Installation note:



CALPEX-CALPEX

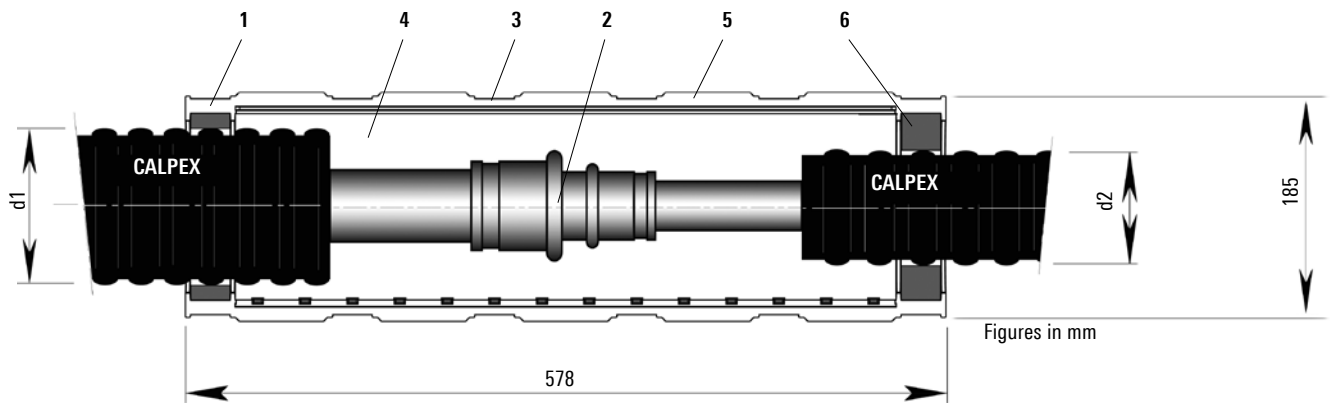
	Ø d2	76	91	111	126	142	162	182	250
Ø d1	76	x	x						
	91		x	x					
	111			x	x				
	126				x	x			
	142					x	x		
	162						x	x	
	182							x	x
	250								x

CALPEX to insulated steel pipe

	Ø d2	90	110	125	140	160	180	200	225	250	280	315
Ø d1	76	x	x	x								
	91	x	x	x	x							
	111	x	x	x	x							
	126		x	x	x	x						
	142			x	x	x	x					
	162				x	x	x	x	x	x		
	182				x	x	x	x	x	x	x	
	250										x	x

CALPEX I-shell

Dimensions Ø 76 - 126 mm



CALPEX I-shell, UNO/DUO

Outer casing Ø d1	Ø d2			
	76	91	111	126
76	x			
91	x	x		
111	x	x	x	
126	x	x	x	x

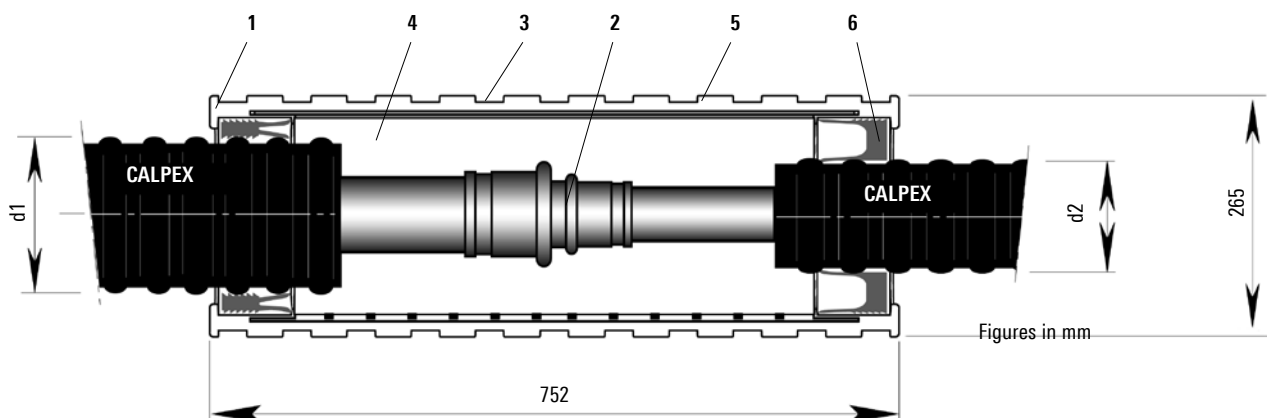
Structure of the half-shell

- 1 ABS half-shells
- 2 PEX coupling; see CPX 1.390
- 3 Sealing clamps (12 pcs.)
- 4 Insulation material; see CPX 1.365
- 5 Glued surface
- 6 Reduction ring or sealing ring

Note: CALPEX shells are not suggested to be installed UV exposed!

CALPEX Big I-shell

Dimensions Ø 142 - 182 mm



CALPEX Big I-shell, UNO/DUO/QUADRIGA

Outer casing Ø d1	Ø d2		
	142	162	182
142	x		
162	x	x	
182	x	x	x

CALPEX Big-shells are freely reducible from Ø 182 mm to Ø 76 mm

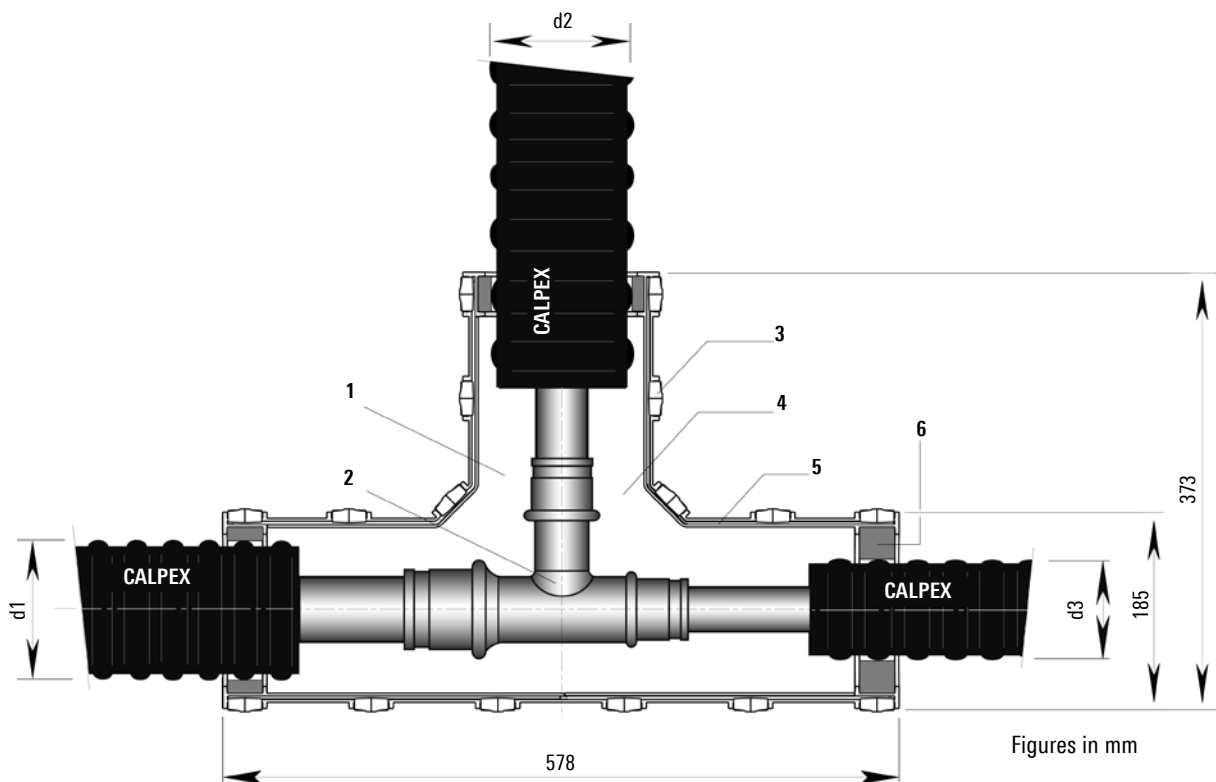
Structure of the half-shell

- 1 ABS half-shells
- 2 PEX coupling; see CPX 1.390
- 3 Sealing clamps (22 pcs.)
- 4 Insulation material; see CPX 1.365
- 5 Glued surface
- 6 Reduction ring or sealing ring

Note: CALPEX shells are not suggested to be installed UV exposed!

CALPEX T-shell

Dimensions Ø 76 - 126 mm



CALPEX T-shell, UNO/DUO

Outer casing Ø d1 - Ø d3	Branch, Ø d2			
	76	91	111	126
76 - 76	x	x	x	x
91 - 91	x	x	x	x
91 - 76	x	x	x	x
111 - 111	x	x	x	x
111 - 91	x	x	x	x
111 - 76	x	x	x	x
126 - 126	x	x	x	x
126 - 111	x	x	x	x
126 - 91	x	x	x	x
126 - 76	x	x	x	x

CALPEX shells are not suitable for use with CALPEX QUADRIGA (distribution chamber: see CPX 1.350).

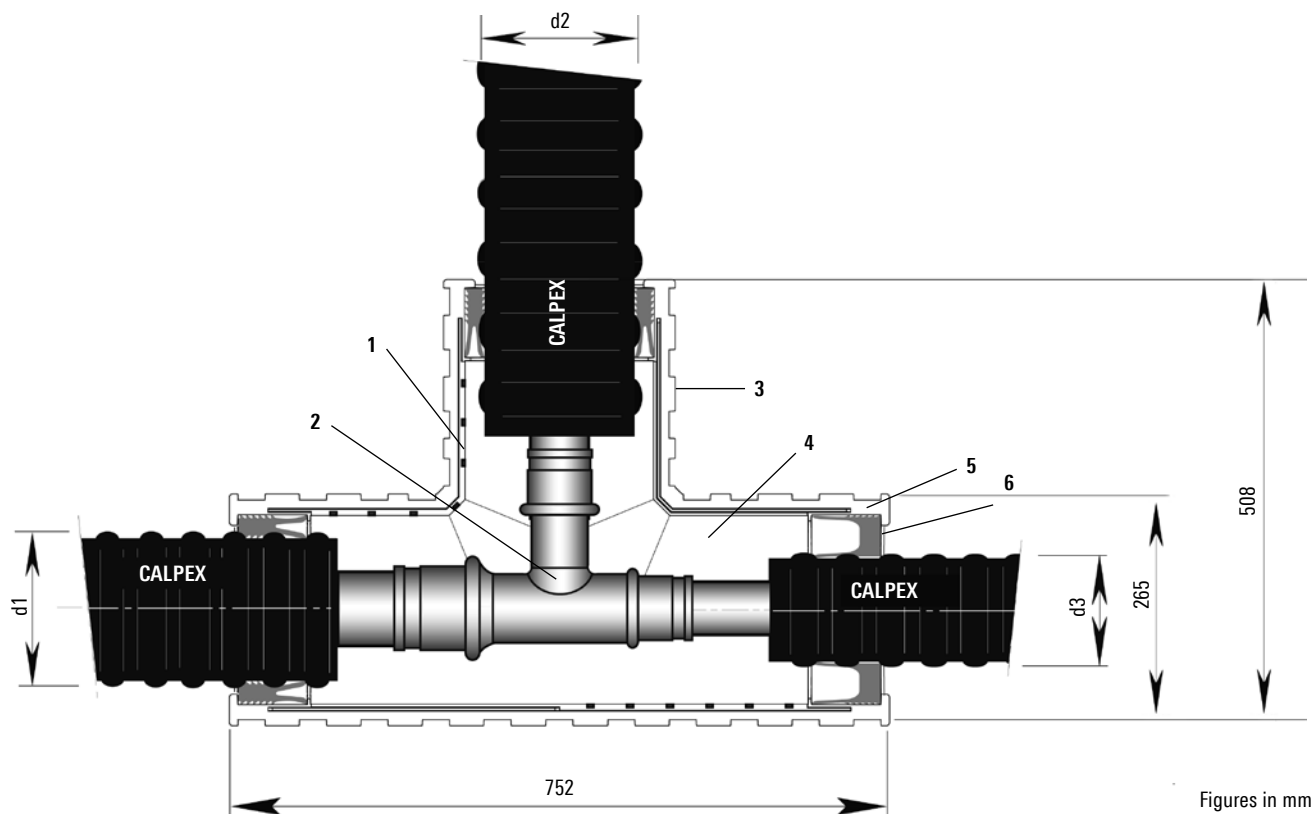
Note: CALPEX shells are not suggested to be installed UV exposed!

Structure of the half-shell

- 1 ABS half-shells
- 2 PEX T-piece; see CPX 1.395
- 3 Sealing clamps (16 pcs.)
- 4 Insulation material; see CPX 1.365
- 5 Glued surface
- 6 Reduction ring or sealing ring

CALPEX Big T-shell

Dimensions Ø 76 - 182 mm



Figures in mm

CALPEX Big T-shell, UNO/DUO

Outer casing Ø d1 - Ø d3	Branch, Ø d2						
	76	91	111	126	142	162	182
142 - 142	x	x	x	x	x	x	x
142 - 126	x	x	x	x	x	x	x
142 - 111	x	x	x	x	x	x	x
142 - 91	x	x	x	x	x	x	x
142 - 76	x	x	x	x	x	x	x
162 - 162	x	x	x	x	x	x	x
162 - 142	x	x	x	x	x	x	x
162 - 126	x	x	x	x	x	x	x
162 - 111	x	x	x	x	x	x	x
162 - 91	x	x	x	x	x	x	x
162 - 76	x	x	x	x	x	x	x
182 - 182	x	x	x	x	x	x	x
182 - 162	x	x	x	x	x	x	x
182 - 142	x	x	x	x	x	x	x
182 - 126	x	x	x	x	x	x	x
182 - 111	x	x	x	x	x	x	x
182 - 91	x	x	x	x	x	x	x
182 - 76	x	x	x	x	x	x	x

Structure of the half-shell

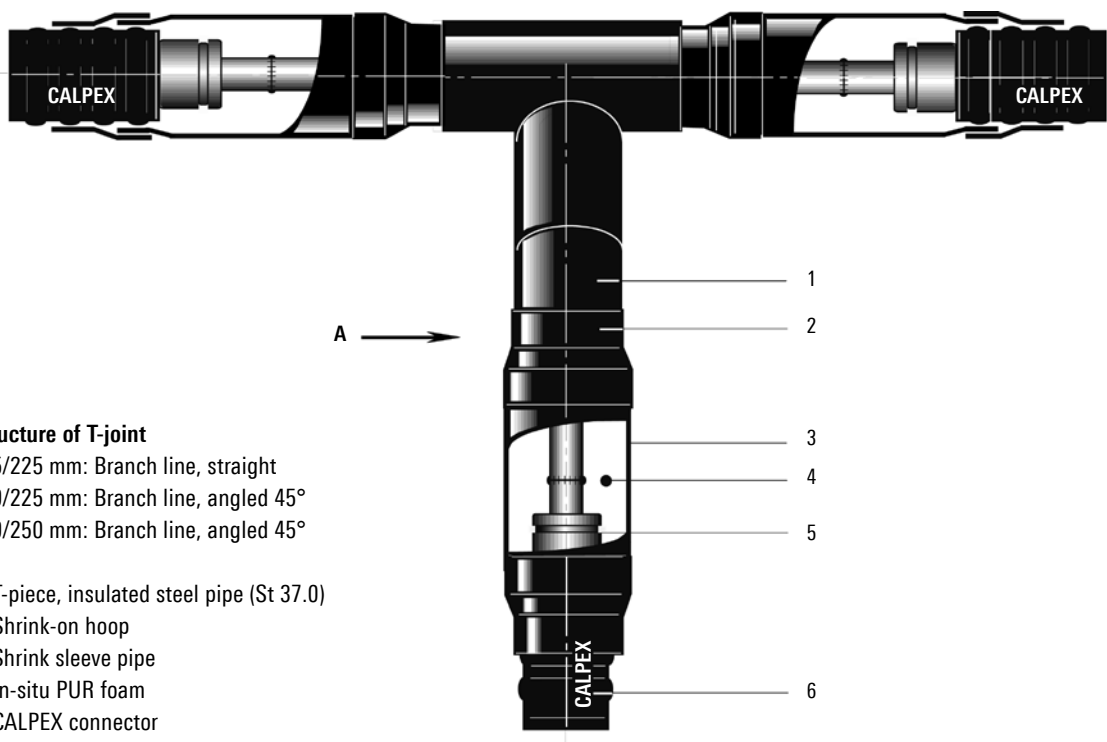
- 1 ABS half-shells
- 2 PEX T-piece; see CPX 1.395
- 3 Sealing clamps (27 pcs.)
- 4 Insulation material; see CPX 1.365
- 5 Glued surface
- 6 Reduction ring or sealing ring

CALPEX shells are not suitable for use with CALPEX QUADRIGA (distribution chamber: see CPX 1.350).

Note: CALPEX shells are not suggested to be installed UV exposed!

T-joint

Dimension CPX 125/225 - 160/250



Structure of T-joint

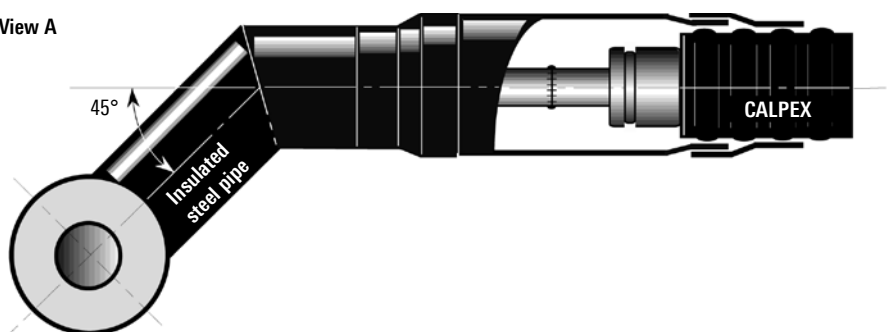
125/225 mm: Branch line, straight

140/225 mm: Branch line, angled 45°

160/250 mm: Branch line, angled 45°

- 1 T-piece, insulated steel pipe (St 37.0)
- 2 Shrink-on hoop
- 3 Shrink sleeve pipe
- 4 In-situ PUR foam
- 5 CALPEX connector
- 6 CALPEX pipe

View A



CALPEX T-joint

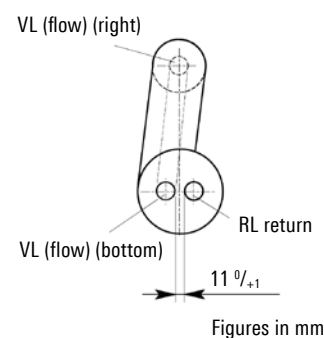
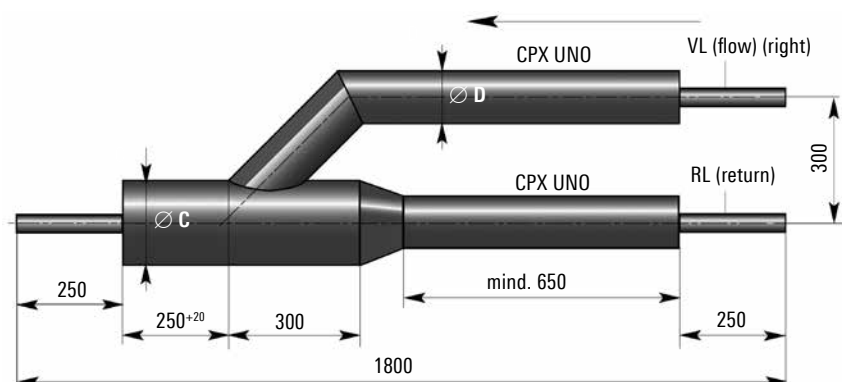
Outer casing Ø d1 Ø d3	Branch, Ø d2											
	25/76	32/76	40/91	50/111	63/126	75/142	90/162	110/162	110/182	125/182	140/225	160/250
125/225 - 125/225*	x	x	x	x	x	x	x	x	x	x	—	—
140/225 - 140/225*	x	x	x	x	x	x	x	x	x	x	x	—
160/250 - 160/250	x	x	x	x	x	x	x	x	x	x	x	x

* Reduction sockets are required

We can supply T-pieces with different branches on request

Y-pipe

Heating, 6 bar

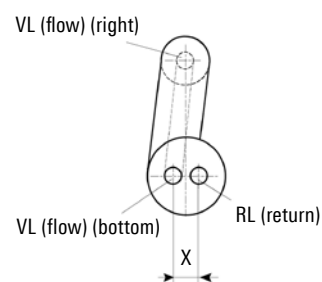
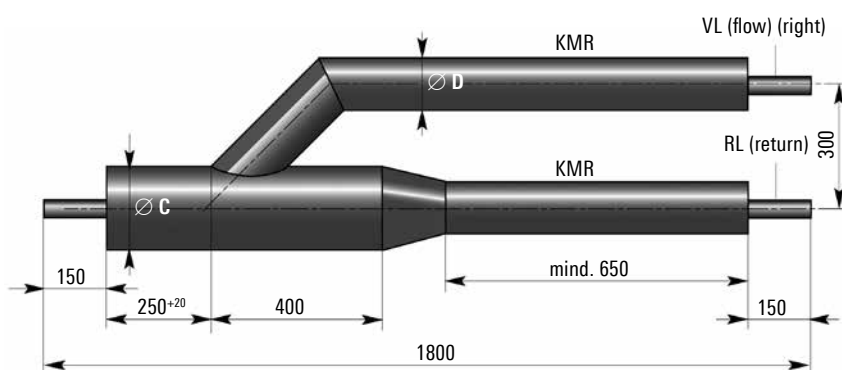


View: A - A

Note: With UNO pipe, in the direction of flow, the forward flow (VL) is always on the right and with DUO pipe, it is always at the bottom.

CALPEX DUO / 2 x CALPEX UNO

UNO pipes mm	Ø D mm	DUO CPX pipe mm	Ø C mm
2 x 25/ 76	75	25 + 25/ 91	90
2 x 25/ 91 PLUS	90	25 + 25/111	110
2 x 32/ 76	75	32 + 32/111	110
2 x 32/ 91 PLUS	90	32 + 32/126	125
2 x 40/ 91	90	40 + 40/126	125
2 x 40/111 PLUS	110	40 + 40/142	140
2 x 50/111	110	50 + 50/162	160
2 x 50/126 PLUS	125	50 + 50/182	180
2 x 63/126	125	63 + 63/182	180
2 x 63/142 PLUS	140	63 + 63/202	200



View: A - A

Note: With UNO pipe, in the direction of flow, the forward flow (VL) is always on the right and with DUO pipe, it is always at the bottom.

CALPEX DUO / 2 x pre-insulated steel pipe (St 37.0)

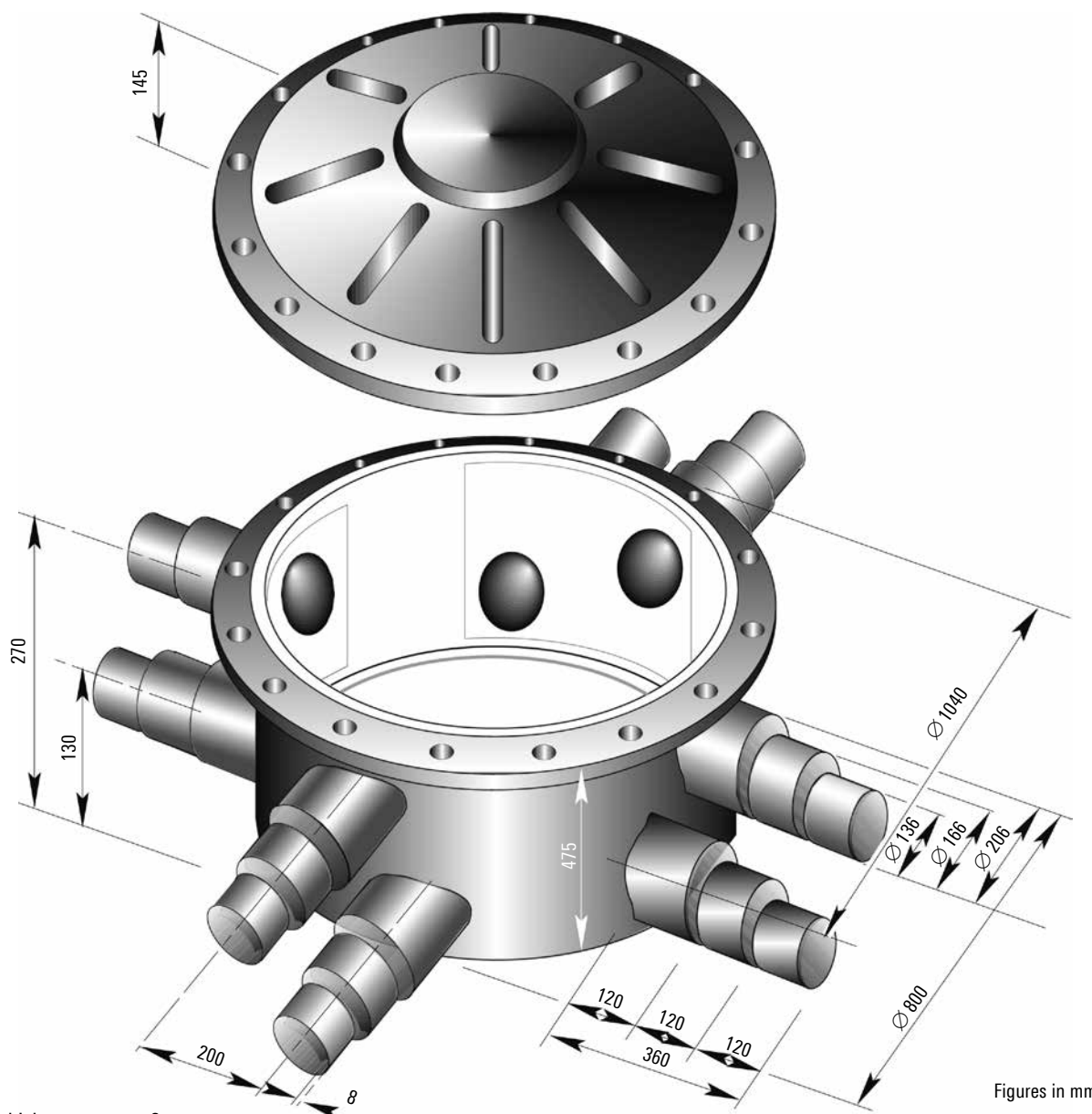
UNO pipes KMR mm	Ø D mm	DUO steel pipe mm	X mm	DUO CPX pipe mm	Ø C mm
26.9 - 110	110	26.9 + 26.9/110	19	25 + 25/ 91	110
33.7 - 110	110	33.7 + 33.7/110	19	32 + 32/111	110
42.4 - 125	125	42.4 + 42.4/125	19	40 + 40/126	125
48.3 - 125	125	48.3 + 48.3/160	19	50 + 50/162	160
60.3 - 140	140	60.3 + 60.3/180	20	63 + 63/182	180

Distribution chamber

Dimensions CPX 25/76 - 125/182

Distribution chamber for all joints

The distribution chamber is used to cover and protect completed BRUGG pipe joints, shut-off valves or junction branches. The distribution chamber is a watertight structure made of polyethylene; its multi-functional design makes it possible to use one chamber type for all pipe dimensions.



Wall thickness approx. 8 mm

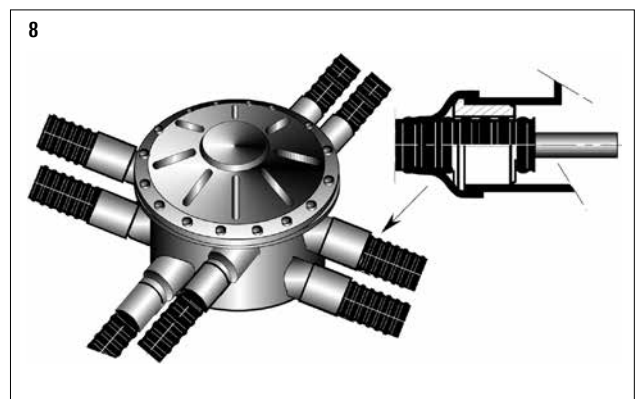
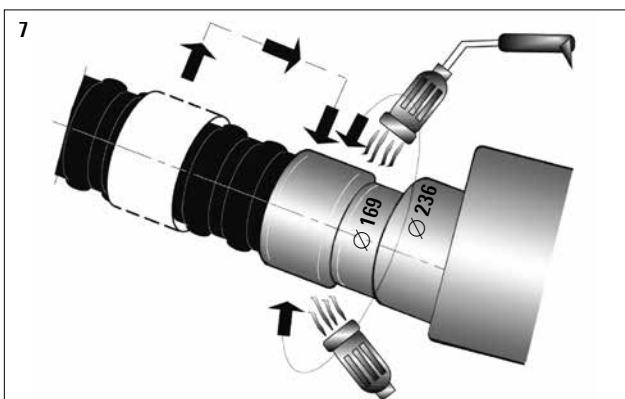
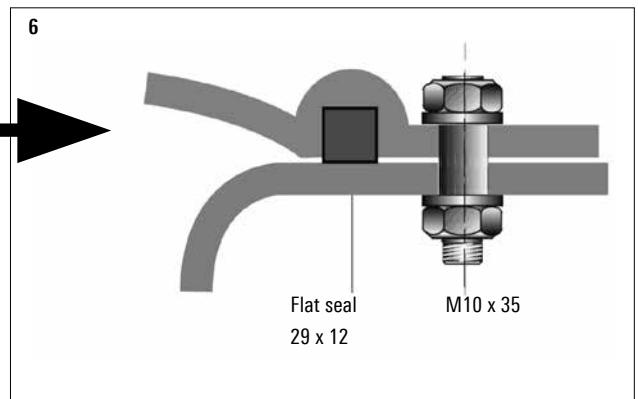
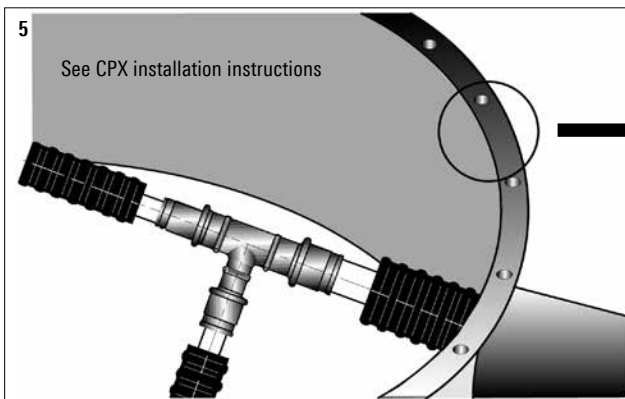
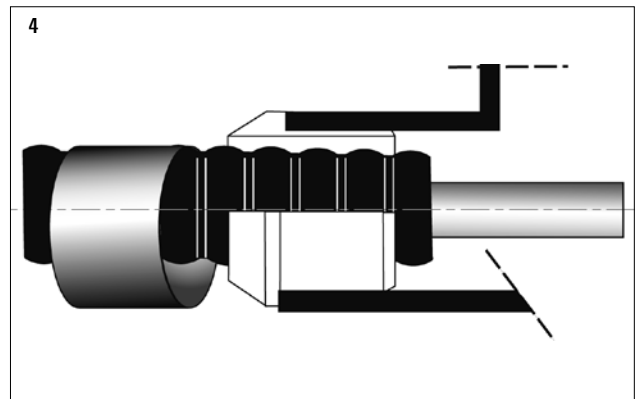
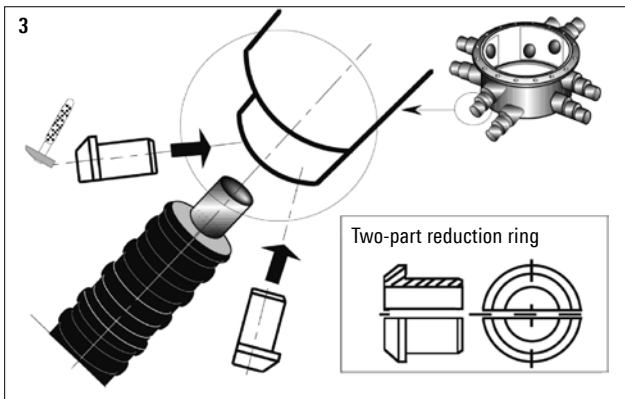
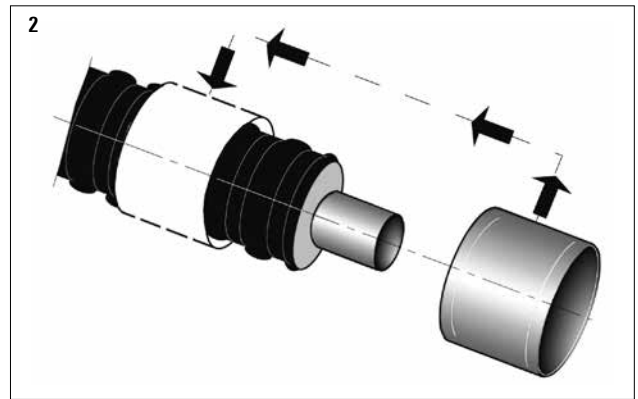
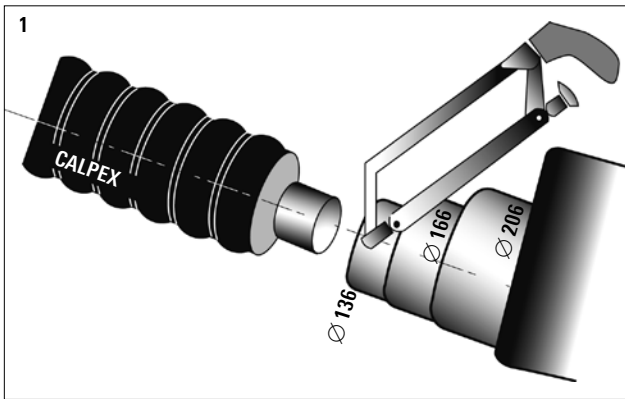
Figures in mm

Ø Chamber exit	Pipe dimensions (outer diameter)	
Ø outer, 206 x 8 mm	Leadthrough for outer Ø	Ø 182, 162*
Ø outer, 166 x 8 mm	Leadthrough for outer Ø	Ø 142, 126*
Ø outer, 136 x 8 mm	Leadthrough for outer Ø	Ø 111, 91*, 76*

* with additional centering ring

Distribution chamber

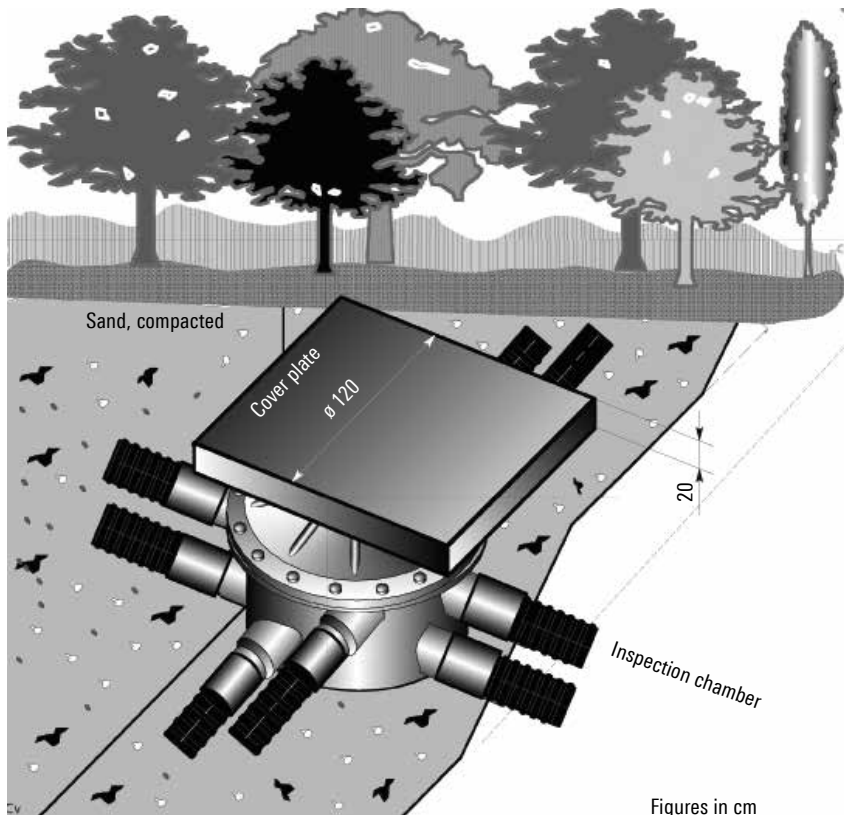
Installation for dimensions CPX 25/76 - 125/182



Protective concrete plate

for distribution chamber

Schematic diagram showing installation of cover plate



Figures in cm

Load

The cover plate has to be used wherever there might be public traffic and for low-depth installations. The maximum load per unit of area must not exceed $q = 153 \text{ kN/m}^2$ (SLW 60 to DIN 1055).

Installation method

Correct installation of the sand must be ensured so that the plate can perform its function as a load shield for the inspection chamber. A Proctor density of $d_{pr} = 96\%$ should be the target for compaction. For subsequent work on the inspection chamber, the cover plate has lifting eyes. After completing the work and refilling the pit, make sure that the infill between the inspection chamber and concrete slabs is restored correctly.

Filling/insulation material

Some suggestions for filling and insulation materials that can be used are listed below:

- Bulk polystyrene material
- Armaflex or Tubolit
- Foam using BRAG PUR foam canister

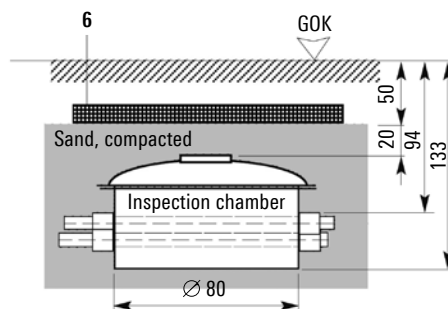
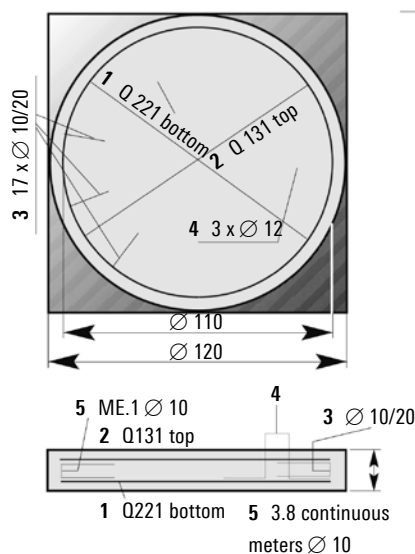
Note

There is no need to use filling material in the distribution shaft. Likewise, it is not essential to insulate the pipes! The decision is up to the customer.

Note

The plate must be located so that it completely covers the chamber below (see illustration).

Armouring



- 1 Q 221 bottom
- 2 Q 131 bottom
- 3 17 x Ø 10/20 mm (L = 0.5 m)
Total length 8.5 m
- 4 3 x Ø 12 mm (L = 0.85 m)
Total length 2.55 m

$$7.5 \frac{21}{21.5}$$

$$\frac{21}{16} \frac{12}{15}$$

Figures in cm

Insulation material

PE foam (CPX 25/76 - 110/182), PUR foam container(s)

PUR foam bottles (CPX 25/76 - 160/250)

Insulation material for shrink joints

Polyethylene foam tube, (CPX 25/76 - 110/182)

Extruded pipe insulation made of closed-cell polyethylene, excellent for insulating CALPEX shrink joints (not for CALPEX shells). Various thicknesses of insulation are available for the most common pipe diameters.

The insulation material (thickness and length) is supplied for the relevant joint types. The insulation must be fitted precisely into the joints on site.



PUR foam for shrink joints and CALPEX shells (CPX 25/76 - 160/250)

CFC-free, cyclopentane-blown PUR foam in plastic bottles

The required quantity of CFC-free polyurethane foam is delivered in suitable container sizes for the various joints and T-pieces. The components are supplied separately in two bottles and are only mixed together when needed. Please note the safety regulations in the installation instructions supplied with the product.



Safety regulations

Protective goggles and gloves must be worn when using this product.

Synthetic gloves



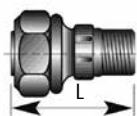
Protective goggles



Screwed connectors

Outer thread, weld end

Connection with external thread



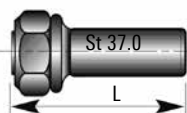
PEX 22-75



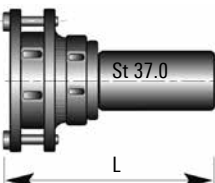
PEX 90-110

Heating, 6 bar Material: brass			Sanitary, 10 bar Material: brass		
PEX pipe mm	Screwed connector mm	L mm	PEX pipe mm	Screwed connector mm	L mm
25 x 2.3	25 x 2.3-3/4"	53	22 x 3.0	22 x 3.0-3/4"	51
32 x 2.9	32 x 2.9-1"	63	28 x 4.0	28 x 4.0-3/4"	58
40 x 3.7	40 x 3.7-1 1/4"	67	32 x 4.4	32 x 4.4-1"	63
50 x 4.6	50 x 4.6-1 1/2"	71	40 x 5.5	40 x 5.5-1 1/4"	67
63 x 5.8	63 x 5.7-2"	80	50 x 6.9	50 x 6.9-1 1/2"	71
75 x 6.8	75 x 6.8-2 1/2"	92	63 x 8.7	63 x 8.7-2"	80
90 x 8.2	90 x 8.2-3"	92			
110 x 10.0	110 x 10.0-4"	102			

Connection with weld end



PEX 25-75



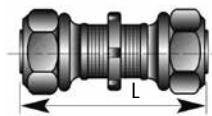
PEX 90-110

Heating, 6 bar Material: brass / St 37.0		
PEX pipe mm	Weld end mm	L mm
25 x 2.3	26.9 x 2.65	180
32 x 2.9	33.7 x 2.3	180
40 x 3.7	42.4 x 2.6	185
50 x 4.6	48.3 x 2.6	190
63 x 5.8	60.3 x 2.9	195
75 x 6.8	76.1 x 3.2	200
90 x 8.2	88.9 x 3.2	240
110 x 10.0	114.3 x 3.6	280

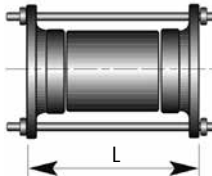
Screwed connector

Coupling: equal, coupling: reduced

Coupling, equal



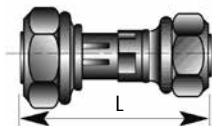
PEX 22-75



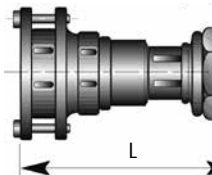
PEX 90-110

Heating, 6 bar Material: brass			Sanitary, 10 bar Material: brass		
PEX pipe mm	Coupling mm	L mm	PEX pipe mm	Coupling mm	L mm
25 x 2.3	25 x 2.3	60	22 x 3.0	22 x 3.0	58
32 x 2.9	32 x 2.9	67	28 x 4.0	28 x 4.0	65
40 x 3.7	40 x 3.7	71	32 x 4.4	32 x 4.4	67
50 x 4.6	50 x 4.6	75	40 x 5.5	40 x 5.5	71
63 x 5.8	63 x 5.7	81	50 x 6.9	50 x 6.9	75
75 x 6.8	75 x 6.8	89	63 x 8.7	63 x 8.7	81
90 x 8.2	90 x 8.2	130			
110 x 10.0	110 x 10.0	130			

Coupling, reduced



PEX 22-75



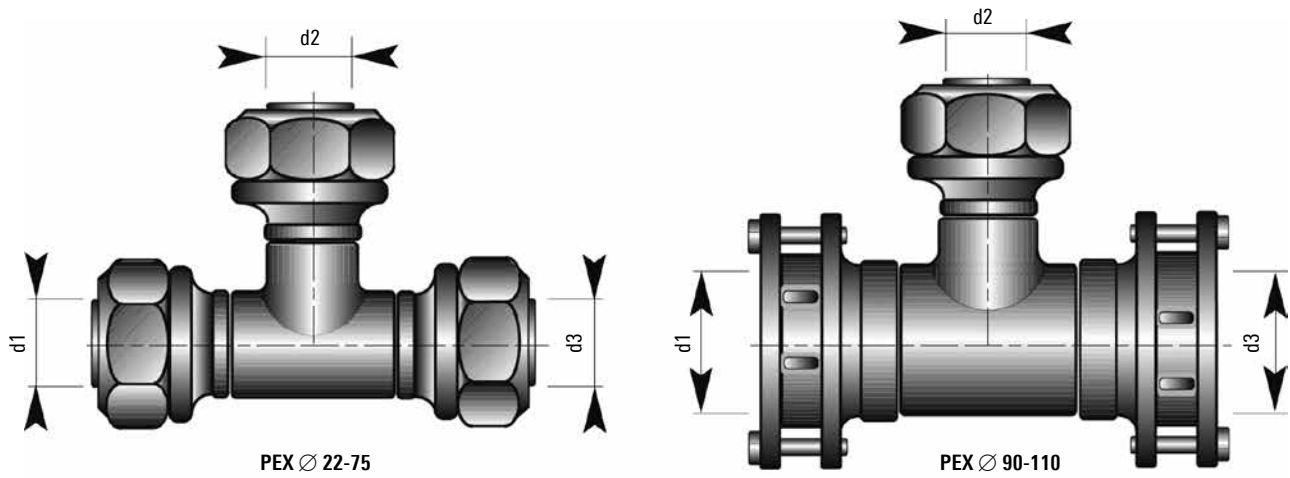
PEX 90-110

Heating, 6 bar Material: brass			Sanitary, 10 bar Material: brass		
PEX pipe mm	Coupling mm	L mm	PEX pipe mm	Coupling mm	L mm
32 x 2.9 / 25 x 2.3	32-1" / 25-3/4"		28 x 4.0 / 22 x 3.0	28-3/4" / 22-1/2"	58
40 x 3.7 / 32 x 2.9	40-1 1/4" / 32-1"				
50 x 4.6 / 40 x 3.7	50-1 1/2" / 40-1 1/4"				
75 x 6.8 / 63 x 5.8	75-2 1/2" / 63-2"				

on request different dimensions available (soldered)

Screwed connectors

T-piece



Heating, 6 bar

Material: brass

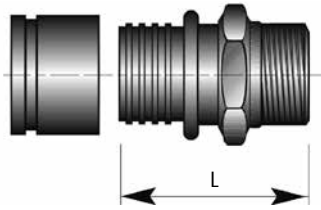
Ø d1 Ø d3	Branch, Ø d2							
	mm							
mm	25 x 2.3	32 x 2.9	40 x 3.7	50 x 4.6	63 x 5.8	75 x 6.8	90 x 8.2	110 x 10.0
25 x 2.3- 25 x 2.3	x		x					
32 x 2.9- 32 x 2.9	x	x						
32 x 2.9- 25 x 2.3	x	x						
40 x 3.7- 40 x 3.7	x	x	x	x				
40 x 3.7- 32 x 2.9	x	x						
50 x 4.6- 50 x 4.6	x	x	x	x				
50 x 4.6- 40 x 3.7	x	x	x	x				
63 x 5.8- 63 x 5.8	x	x	x	x	x		x	
63 x 5.8- 50 x 4.6	x	x	x	x	x			
75 x 6.8- 75 x 6.8	x	x	x	x	x	x		
75 x 6.8- 63 x 5.8	x	x	x	x	x	x		
90 x 8.2- 90 x 8.2		x	x	x	x	x	x	
90 x 8.2- 75 x 6.8					x	x		
110 x 10.0-110 x 10.0		x		x	x	x	x	x
110 x 10.0- 90 x 8.2					x	x	x	

Other T-pieces can be supplied on request.

Compression connectors

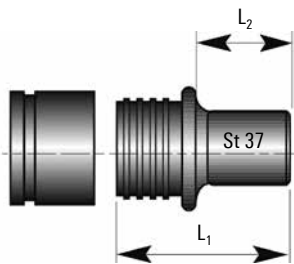
Outer thread, weld end

Connector with external thread



Heating, 6 bar Material: brass			Sanitary, 10 bar Material: brass		
PEX pipe mm	Screwed connector mm	L mm	PEX pipe mm	Screwed connector mm	L mm
25 x 2.3	25 x 2.3-3/4"	62	22 x 3.0	22 x 3.0-3/4"	58
32 x 2.9	32 x 2.9-1"	72	28 x 4.0	28 x 4.0-3/4"	62
40 x 3.7	40 x 3.7-1 1/4"	82	32 x 4.4	32 x 4.4-1"	72
50 x 4.6	50 x 4.6-1 1/2"	89	40 x 5.5	40 x 5.5-1 1/4"	82
63 x 5.8	63 x 5.7-2"	109	50 x 6.9	50 x 6.9-1 1/2"	89
75 x 6.8	75 x 6.8-2 1/2"	110	63 x 8.7	63 x 8.7-2"	109
90 x 8.2	90 x 8.2-3"	115			
110 x 10.0	110 x 10.0-4"	120			
125 x 11.4	125 x 11.4-5"	125			
160 x 14.6	160 x 14.6-6"	130			

Connector with weld end

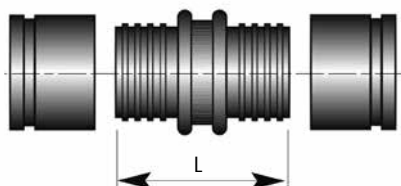


Heating, 6 bar Material: Steel			
PEX pipe mm	Weld end mm	L1 mm	L2 mm
25 x 2.3	26.9 x 2.65	50	20
32 x 2.9	33.7 x 2.3	60	24
40 x 3.7	42.4 x 2.6	70	29
50 x 4.6	48.3 x 2.6	85	37
63 x 5.8	60.3 x 2.9	90	32
75 x 6.8	76.1 x 3.2	95	35
90 x 8.2	88.9 x 3.2	95	35
110 x 10.0	114.3 x 3.6	90	30
125 x 11.4	139.7 x 3.6	108	48
140 x 12.7	139.7 x 3.6	112	50
160 x 14.6	168.3 x 4.1	114	50

Compression connectors

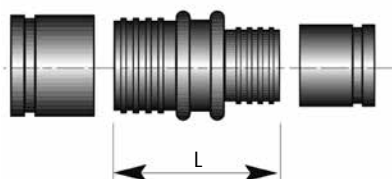
Coupling: equal, coupling: reduced, angle piece: 90°

Coupling



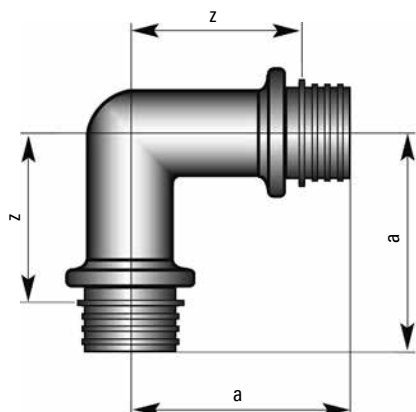
Heating, 6 bar Material: brass			Sanitary, 10 bar Material: brass		
PEX pipe mm	Coupling mm	L mm	PEX pipe mm	Coupling mm	L mm
25 x 2.3	25 x 2.3	67.0	22 x 3.0	22 x 3.0	58
32 x 2.9	32 x 2.9	88.0	28 x 4.0	28 x 4.0	70
40 x 3.7	40 x 3.7	100.0	32 x 4.4	32 x 4.4	82
50 x 4.6	50 x 4.6	114.0	40 x 5.5	40 x 5.5	90
63 x 5.8	63 x 5.7	141.0	50 x 6.9	50 x 6.9	104
75 x 6.8	75 x 6.8	137.5	63 x 8.7	63 x 8.7	122
90 x 8.2	90 x 8.2	137.5			
110 x 10.0	110 x 10.0	137.5			
125 x 11.4	125 x 11.4	141.0			
140 x 12.7	140 x 12.7	140.0			
160 x 14.6	160 x 14.6	149.0			

Coupling, reduced



Heating, 6 bar Material: brass/steel*			Sanitary, 10 bar Material: brass		
PEX pipe mm	Coupling mm	L mm	PEX pipe mm	Coupling mm	L mm
32 x 2.9	25 x 2.3	80.0	32 x 4.4/28 x 4.0	32 x 4.4/28 x 4.0	76
40 x 3.7	32 x 2.9	100.0	40 x 5.5/32 x 4.4	40 x 5.5/32 x 4.4	86
50 x 4.6	40 x 3.7	108.0	50 x 6.9/40 x 5.5	50 x 6.9/40 x 5.5	97
63 x 5.8	50 x 4.6	129.0	63 x 8.7/50 x 6.9	63 x 8.7/50 x 6.9	113
75 x 6.8	63 x 5.8	138.0			
90 x 8.2	75 x 6.8	142.0			
110 x 10.0	90 x 8.2	142.0			
125 x 11.4*	110 x 10.1	228.0			
140 x 12.7*	125 x 11.4	220.0			
160 x 14.6*	125 x 11.4	262.0			

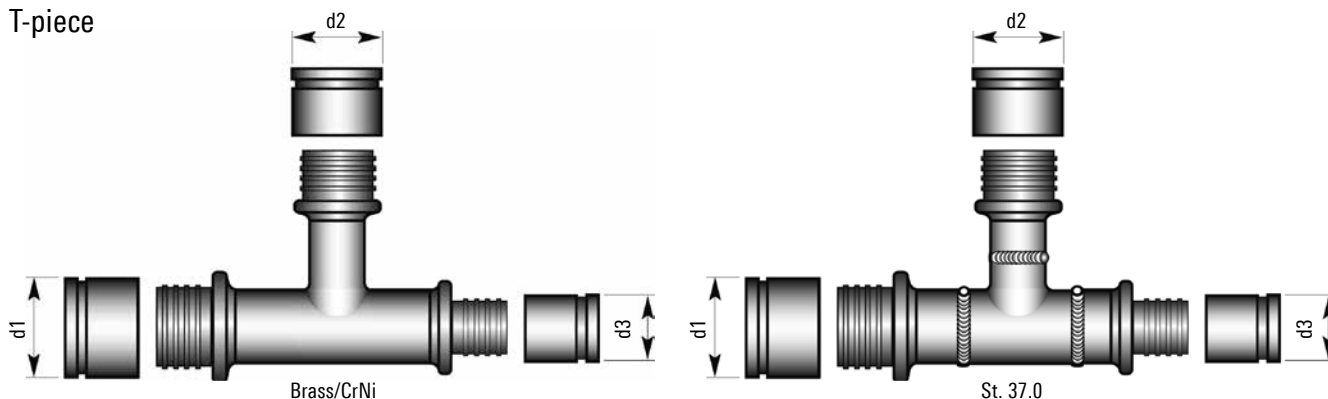
Angle piece, 90°



Heating, 6 bar Material: brass/*steel				Sanitary, 10 bar Material: brass			
PEX pipe mm	PEX pipe mm	a mm	z mm	PEX pipe mm	PEX pipe mm	a mm	z mm
25 x 2.3	25 x 2.3	54	32	22 x 3.0	22 x 3.0	-	-
32 x 2.9	32 x 2.9	64	37	28 x 4.0	28 x 4.0	-	-
40 x 3.7	40 x 3.7	74	42	32 x 4.4	32 x 4.4	66	39
50 x 4.6	50 x 4.6	87	48	40 x 5.5	40 x 5.5	74	42
63 x 5.8	63 x 5.8	106	60	50 x 6.9	50 x 6.9	87	39
75 x 6.8	75 x 6.8	117	67	63 x 8.6	63 x 8.6	106	60
90 x 8.2	90 x 8.2	127	76				
110 x 10.0	110 x 10.0	137	87				
125 x 11.4*	125 x 11.4	298	260				

Compression connectors

T-piece



Heating, 6 bar

Ø d1 Ø d3 mm	Branch, Ø d2								
	mm								
	25 x 2.3	32 x 2.9	40 x 3.7	50 x 4.6	63 x 5.8	75 x 6.8	90 x 8.2	110 x 10.0	125 x 11.4
25 x 2.3 - 25 x 2.3	o/x								
32 x 2.9 - 32 x 2.9	o/x	o/x							
32 x 2.9 - 25 x 2.3	o/x								
40 x 3.7 - 40 x 3.7	o/x	o/x	o/x						
40 x 3.7 - 32 x 2.9	o/x ¹	o/x ¹							
50 x 4.6 - 50 x 4.6	o/x	o/x	o/x	o/x					
50 x 4.6 - 40 x 3.7	o/x	o/x	o/x ¹						
63 x 5.8 - 63 x 5.8	o/x	o/x	o/x	o/x	o/x				
63 x 5.8 - 50 x 4.6	o/+	o/x	o/x	o/x					
75 x 6.8 - 75 x 6.8	o/x	o/x	o/x	o/x	o/x	o/x			
75 x 6.8 - 63 x 5.8	o/+	o/x	o/+	o/x	o/x				
90 x 8.2 - 90 x 8.2	o/+	o/x	o/x	o/+	o/x	o/+	o/x		
90 x 8.2 - 75 x 6.8	o/+	o/+	o/+	o/+	o/+	o/+			
110 x 10.0 - 110 x 10.0	o/+	o/x	o/+	o/x	o/x	o/+	o/+	o/x	
110 x 10.0 - 90 x 8.2	o/+	o/+	o/+	o/+	o/+	o/+	o/+		
125 x 11.4 - 125 x 11.4	o	o	o	o	o	o	o	o	o

Sanitary, 10 bar

Ø d1 Ø d3 mm	Branch, Ø d2					
	mm					
	22 x 3.0	28 x 4.0	32 x 4.4	40 x 5.5	50 x 6.9	63 x 8.7
22 x 3.0 - 22 x 3.0	x	x				
28 x 4.0 - 28 x 4.0	x	x	x	x		
28 x 4.0 - 28 x 3.0	x					
32 x 4.4 - 32 x 4.4	x	x	x	x		
32 x 4.4 - 28 x 4.0	x	x	x	x		
40 x 5.5 - 40 x 5.5	x	x	x	x	x	
40 x 5.5 - 32 x 3.0	x	x	x	x		
40 x 5.5 - 28 x 4.0	x			x	x	
50 x 6.9 - 50 x 6.9	x	x	x	x	x	
50 x 6.9 - 40 x 5.5	x	x	x	x	x	
50 x 6.9 - 32 x 4.4	x	x	x	x	x	
50 x 6.9 - 28 x 4.0		x		x	x	
63 x 8.7 - 63 x 8.7	x	x	x	x	x	x
63 x 8.7 - 50 x 6.9		x	x	x	x	
63 x 8.7 - 40 x 5.5		x		x	x	x

¹ Soldered fittings

- T-pieces made of steel can be supplied on request
- Other T-pieces can be supplied on request.
- Dimension DN 150 is supplied in prefabricated and pre-insulated form (see sheet CPX 1.340).

Material:

- x = Brass CuZn39Pb3 (DN 20 - DN 50),
Gunmetal Rg7 (DN 65 - DN 100)
- o = St 37.0, welded
- + = CrNi 1.4404, 1.4432, 1.4435 (316L)

Electro-fusion joints

Dimensions Ø 75 - 160 mm

Coupling



Heating, 6 bar	
Material: cross-linked polyethylene	
PEX pipe mm	PEX pipe mm
75 x 6.8	75 x 6.8
90 x 8.2	90 x 8.2
110 x 10.0	110 x 10.0
125 x 11.4	125 x 11.4
160 x 14.6	160 x 14.6

Angle piece, 90°



on request	
Heating, 6 bar	
Material: cross-linked polyethylene	
PEX pipe mm	PEX pipe mm
75 x 6.8	75 x 6.8
90 x 8.2	90 x 8.2
110 x 10.0	110 x 10.0
125 x 11.4	125 x 11.4

Transition sleeve/joint with flange (AG)



on request	
Heating, 6 bar	
Material: cross-linked polyethylene	
PEX pipe mm	PEX pipe mm
75 x 6.8	75 x 6.8
90 x 8.2	90 x 8.2
110 x 10.0	110 x 10.0
125 x 11.4	125 x 11.4

Reduction piece*



on request	
Heating, 6 bar	
Material: cross-linked polyethylene	
PEX pipe mm	PEX pipe mm
90	75
110	75
110	90
125	75
125	90
125	110
160	75
160	90
160	110
160	125

T-piece, equal



on request	
Heating, 6 bar	
Material: cross-linked polyethylene	
PEX pipe mm	PEX pipe mm
75 x 6.8	75 x 6.8
90 x 8.2	90 x 8.2
110 x 10.0	110 x 10.0
125 x 11.4	125 x 11.4

Leasable basic tool for PEXa electro-fusion joints

comprising welding machine and pipe clamps



Article	
Tool set without pipe cutter	
Additional pipe clamps-set	
Pipe cutter 50-125 mm	
Pipe cutter 110-160 mm	

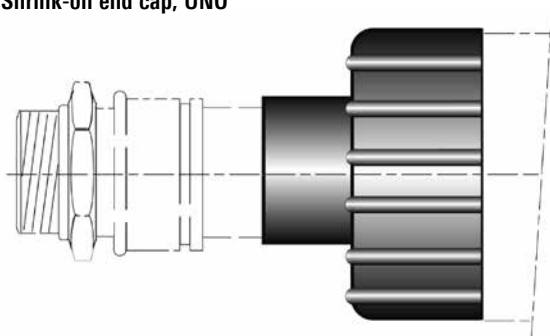
*Note: Reductions cannot be used when using CALPEX clip shells.

Only trained personnel, using suitable fusion equipment, may install the electro-fusion joints for PEXa connections.

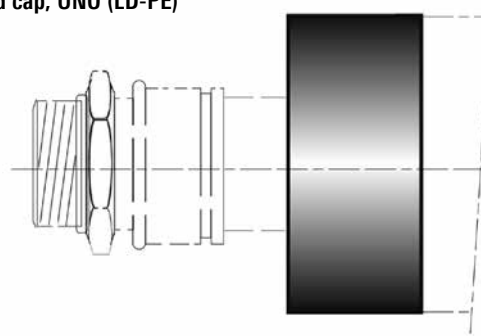
End cap

Standard, shrinkable

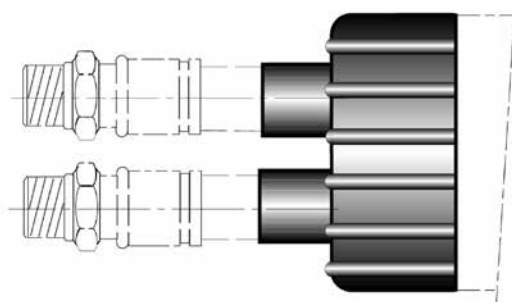
Shrink-on end cap, UNO



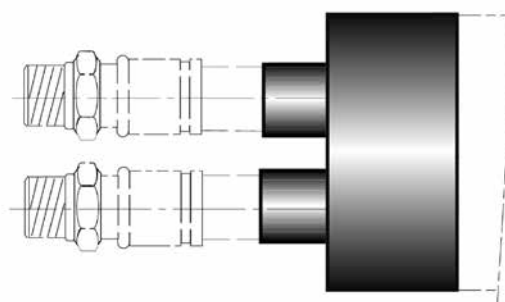
End cap, UNO (LD-PE)



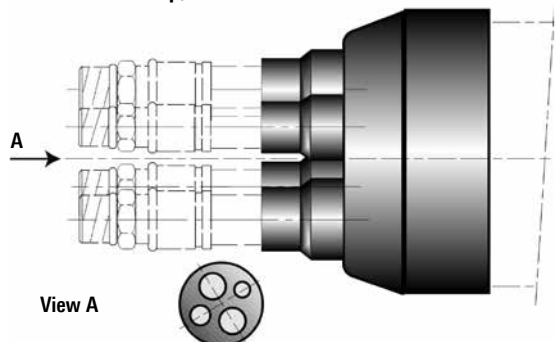
Shrink-on end cap, DUO



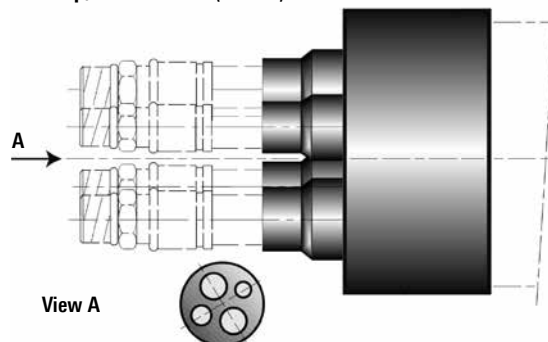
End cap, DUO (LD-PE)



Shrink-on end cap, QUADRIGA



End cap, QUADRIGA (LD-PE)



CALPEX UNO

Type Heating	Type Sanitary
25/ 76	22/ 76
25/ 91 PLUS	28/ 76
32/ 76	32/ 76
32/ 91 PLUS	32/111 HBK
40/ 91	40/ 91
40/111 PLUS	40/126 HBK
50/111	50/111
50/126 PLUS	50/126 HBK
63/126	63/126
63/142 PLUS	
75/142	
75/162 PLUS	
90/162	
90/182 PLUS	
110/162	
110/182	
125/182	
125/202 PLUS	
140/202	

CALPEX DUO

Type
25 + 25/ 91
25 + 25/111 PLUS
28 + 22/ 91
32 + 22/111
32 + 32/111
32 + 32/126 PLUS
40 + 28/126
40 + 40/126
40 + 40/142 PLUS
50 + 32/126
50 + 50/162
50 + 50/182 PLUS
63 + 63/182
63 + 63/202 PLUS

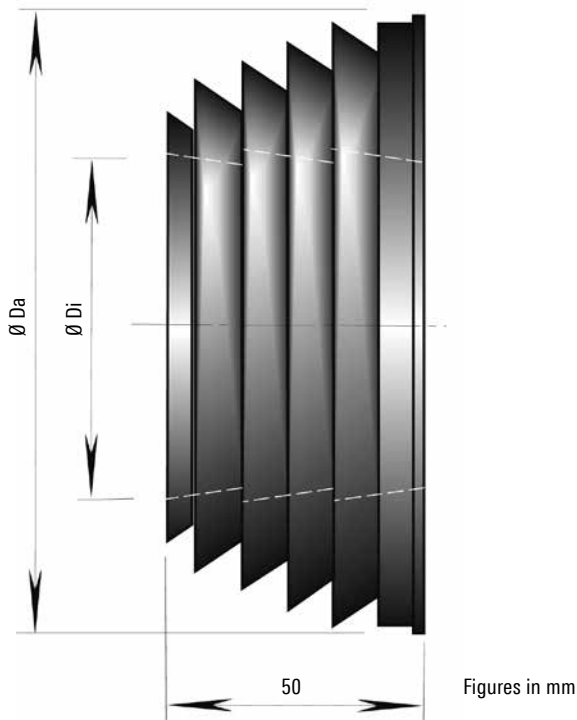
QUADRIGA

Type
25 + 25/28 + 22/142
32 + 32/28 + 22/142
32 + 32/32 + 22/142
40 + 40/40 + 28/162

LD-PE end caps are fitted on;
suitable for dry rooms

Wall sealing ring

for wall openings



CALPEX UNO, DUO, QUADRIGA

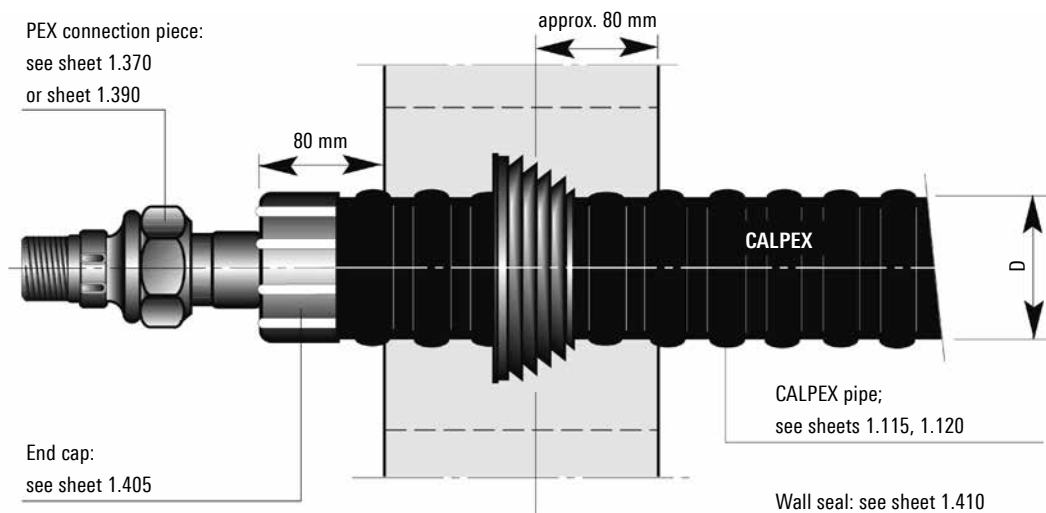
Outer casing diameter mm	Neoprene wall sealing ring Ø Di, inner mm	Ø Da, outer mm
76	74	118
91	88	133
111	107	153
126	122	168
142	137	183
162	155	203
182	175	223
202	195	230
225	180	240
250	243	290

Building entry (see sheet CPX 1.415)

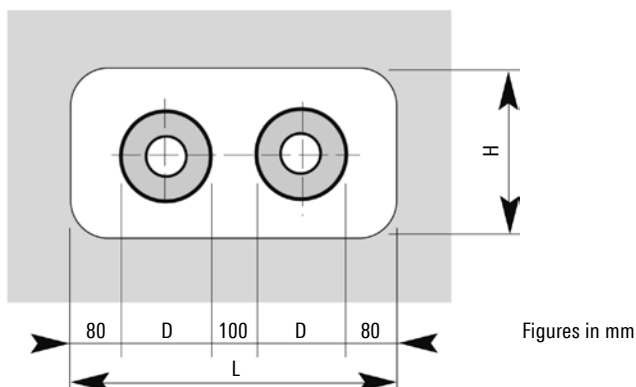
Building entry

Wall opening

Wall leadthrough

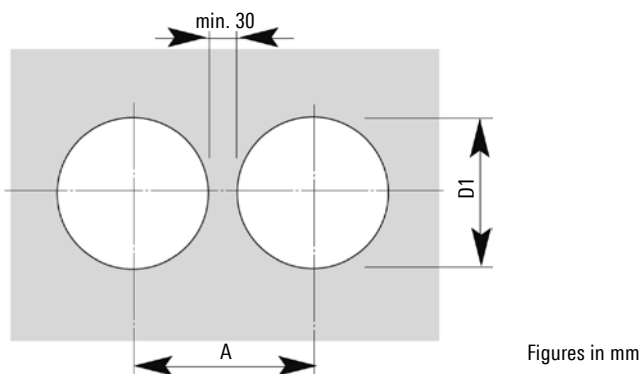


Wall opening



Outer casing Ø D mm	L min mm	H min mm
78	450	250
93	500	250
113	500	300
128	550	300
143	600	350
163	650	350
183	670	380
202	720	400
225	740	400
250	810	450

Core bores

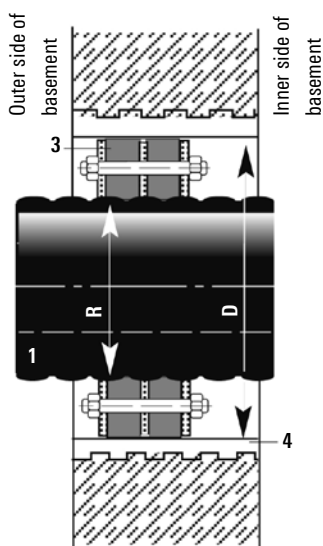


Outer casing Ø D mm	A mm	D1 mm
78	210	180
93	230	180
113	250	230
128	270	230
143	290	230
163	310	280
183	330	280
202	400	350
225	400	350
250	420	380

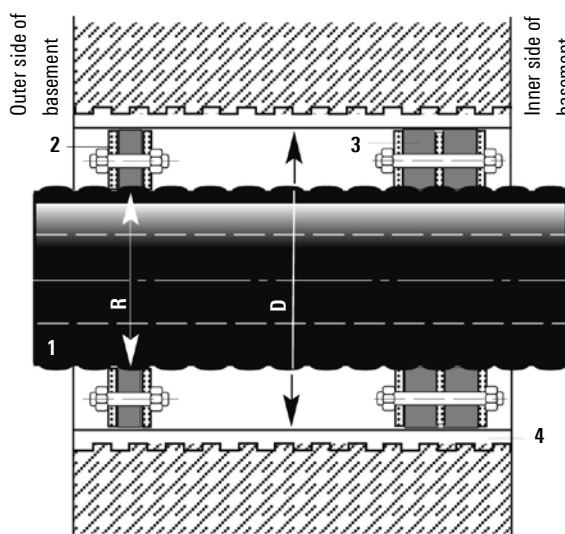
Wall seal

Core bores/cement liner pipes

Standard



With additional centering ring



Core bores

Perfect bores are required for installation. As hairline cracks may be present in the concrete or result from drilling, it is advisable to seal the entire length of the borehole with suitable sealant (such as AQUAGARD).

Tightness can only be guaranteed if this recommendation is followed.

- 1 CALPEX district heating pipe
- 2 Seal set, single-seal
1 x 40 mm, Shore hardness D 35
- 3 Seal set, double-seal*
2 x 40 mm, Shore hardness D 35
- 4 Liner pipe: made of fibre cement or coated core bore

* Suitable for pressure from water up to 0.5 bar

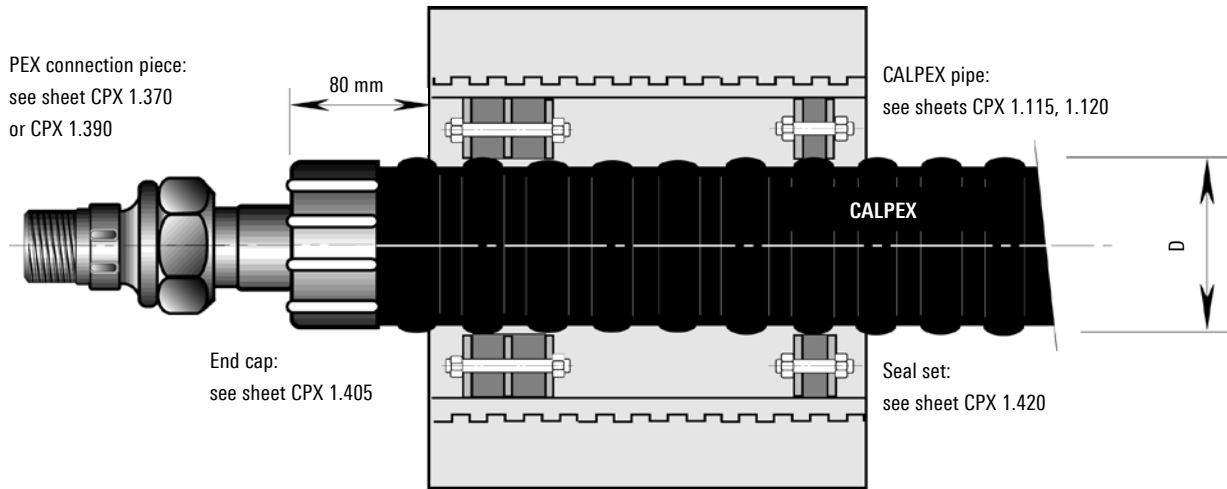
Outer pipe Ø R mm	Liner pipe, core bore Ø D mm	Seal set Ø inner mm	Core bore Ø mm
76	150	78 - 85	150
91	150	86 - 94	150
111	200	105 - 115	200
126	200	125 - 135	200
142	200	137 - 145	200
162	250	157 - 165	250
182	250	180 - 190	250
202	300	198 - 207	300
225	300	225 - 233	300
250	350	250 - 259	350

Building entry (see sheet CPX 1.425)

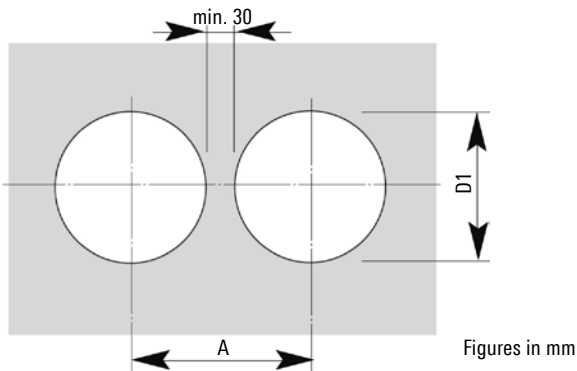
Building entry

Core bores/cement pipe liners

Wall leadthrough



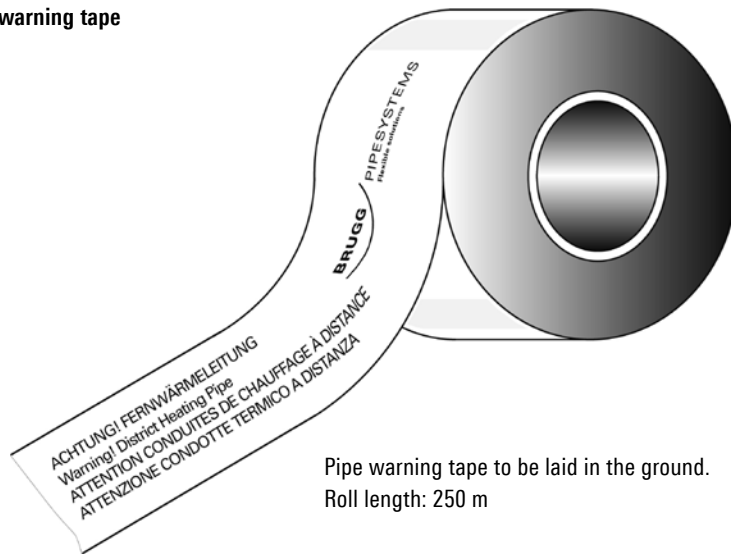
Core bores



Outer casing Ø D mm	D1 mm	A mm
78	180	150
93	180	150
113	230	200
128	230	200
143	230	200
163	280	250
183	280	250
202	330	300
225	330	300
250	380	350

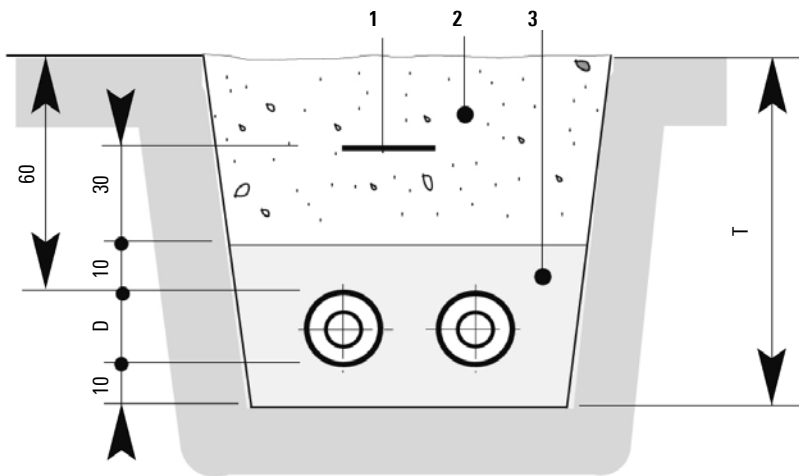
Pipe warning tape

CALPEX pipe warning tape



Pipe warning tape to be laid in the ground.
Roll length: 250 m

CALPEX trench structure

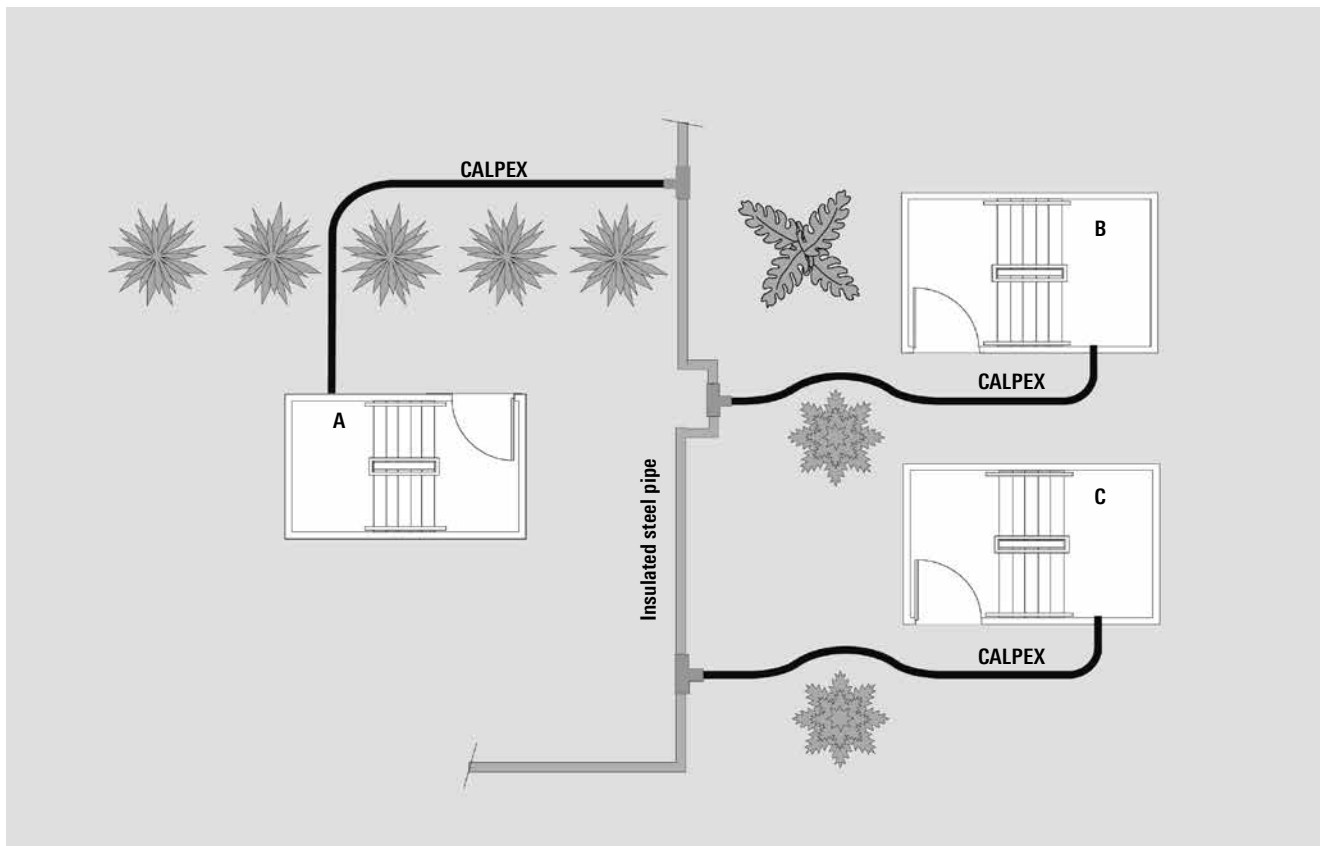


- 1 Pipe warning tape
- 2 Excavated material
- 3 Washed sand

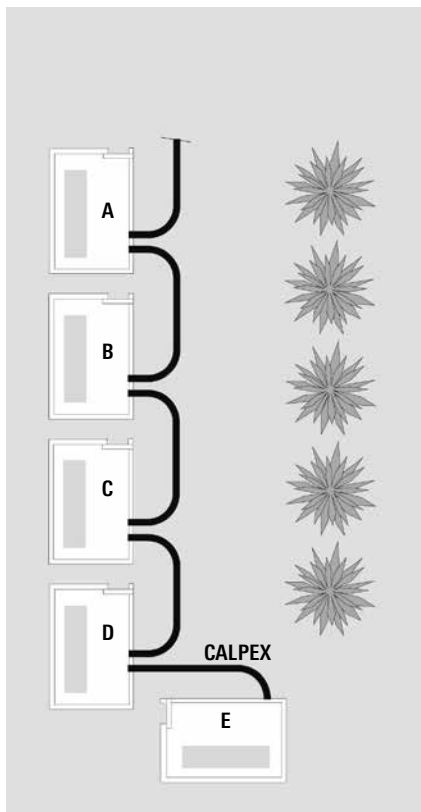
Installation depth; see sheet CPX 1.505

Pipe routing

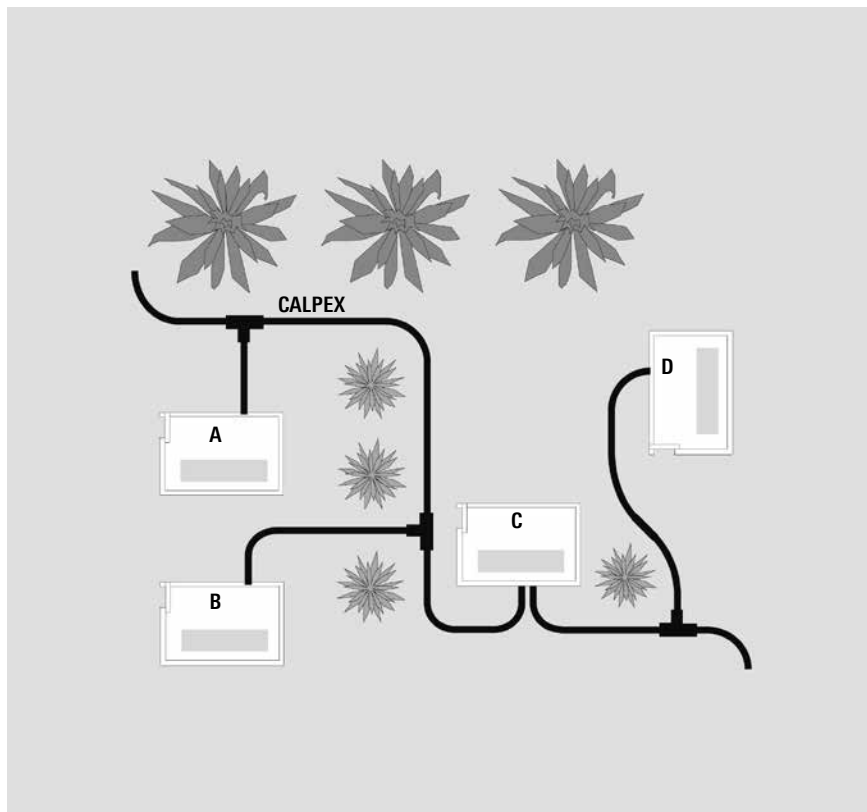
CALPEX – Connection to insulated steel pipe



Loop-in method



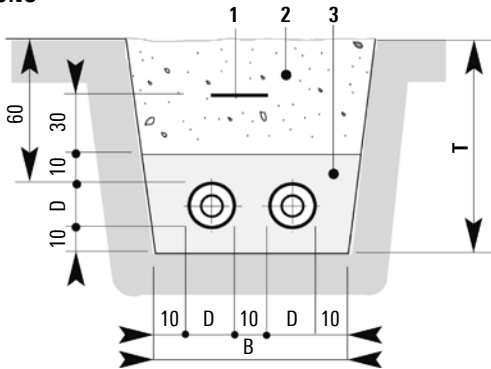
CALPEX – CALPEX connection



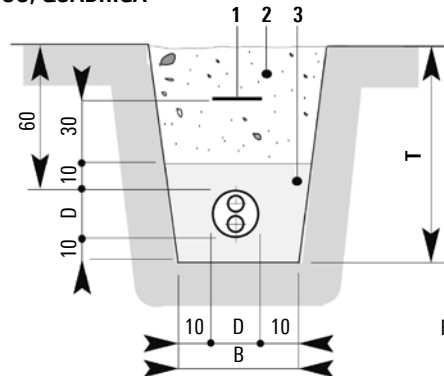
Trench dimensions

Trench profile, 2 CALPEX pipes

UNO



DUO, QUADRIGA

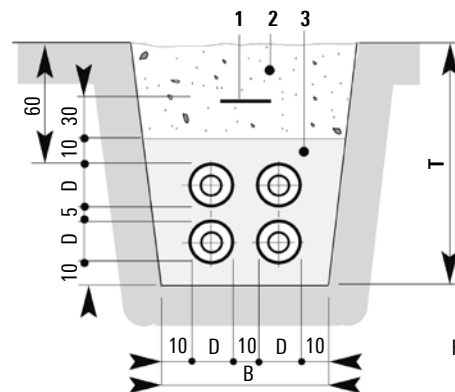
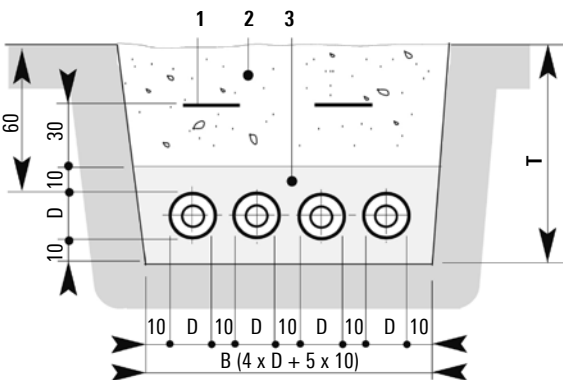


Figures in cm

Casing pipe Ø D mm	Width B cm	Depth T cm	Minimum bending radius m
78	45	80	0.7
93	50	80	0.8
113	55	85	0.9
128	55	85	1.0
143	60	85	1.1
163	65	90	1.2
183	70	95	1.4
202	75	95	1.4
250	80	100	-

Casing pipe Ø D mm	Width B cm	Depth T cm	Minimum bending radius m
93	30	80	0.8
113	30	85	0.9
128	35	85	1.0
143	35	85	1.1
163	35	90	1.2
183	38	95	1.4

Trench profile, 4 CALPEX pipes



Figures in cm

- 1 Pipe warning tape; see sheet CPX 1.430
- 2 Excavated material
- 3 Sand, washed, max. grain size 8 mm

Installation depth:
Max. installation depth: 2.6 m
Our approval is required for installation at greater depths.

SLW 30 300 kN total load as per DIN 1072; if subject to higher traffic loads (e.g. SLW 60), a load-distributing superstructure as per RSt075 is required.

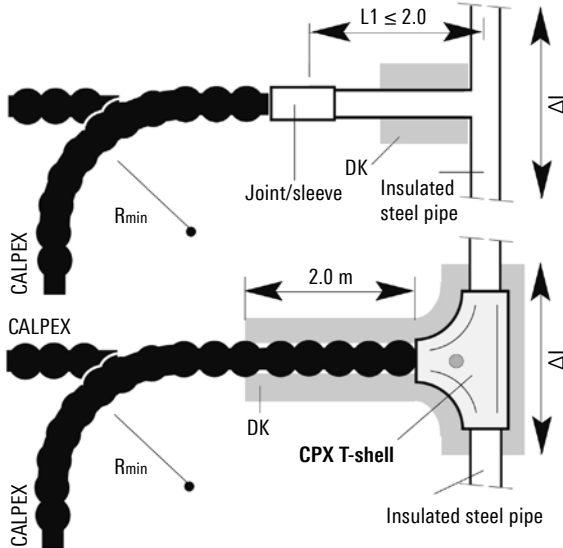
With no traffic load, the minimum trench depth T can be reduced by 20 cm.

Connection (rigid/flexible)

CALPEX to insulated steel pipes

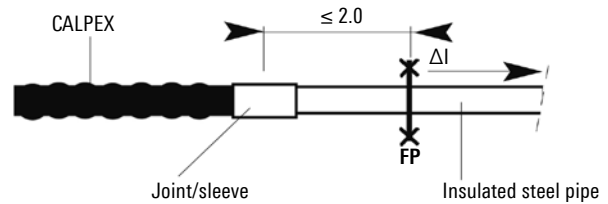
Installation instructions for transition from CALPEX to insulated steel pipe (KMR)

1. Junction with T-piece



The transverse expansion ΔI must not exceed the expansion that can be accommodated by junction pipe DS and the CALPEX pipe.

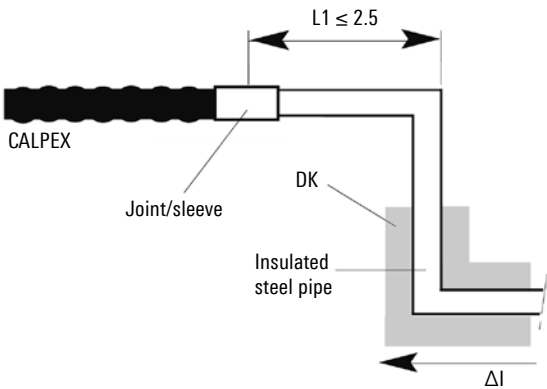
2. Transition with fixed point



Figures in m

The thermal movement ΔI of the insulated steel pipe cannot be compensated by the CALPEX pipes. A fixed point must be installed.

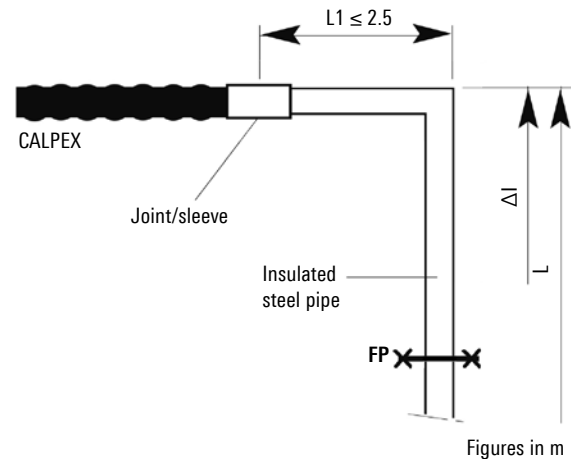
3. Transition with Z-bend



Static design of the Z-bend according to expansion variable ΔI .

- ΔI = Thermal movement
- FP = Fixed point (plastic casing pipe)
- DK = Expansion pad

4. Transition with expansion bend



Figures in m

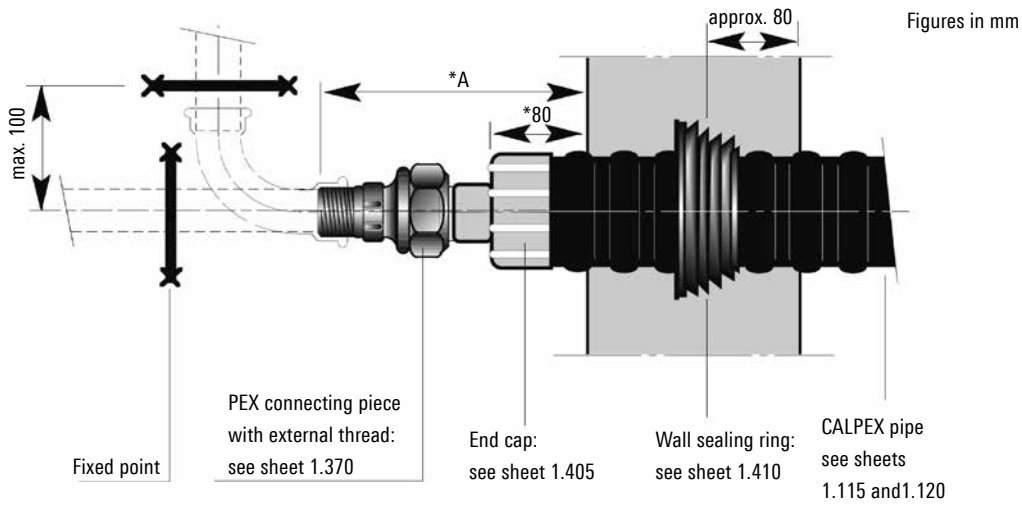
If pipe length L or ΔI is more than permitted for $L1$, a fixed anchor point must be installed.

- Design of expansion components
- Positioning of expansion pads as per the section on PREMANT

House entry, screwed connector

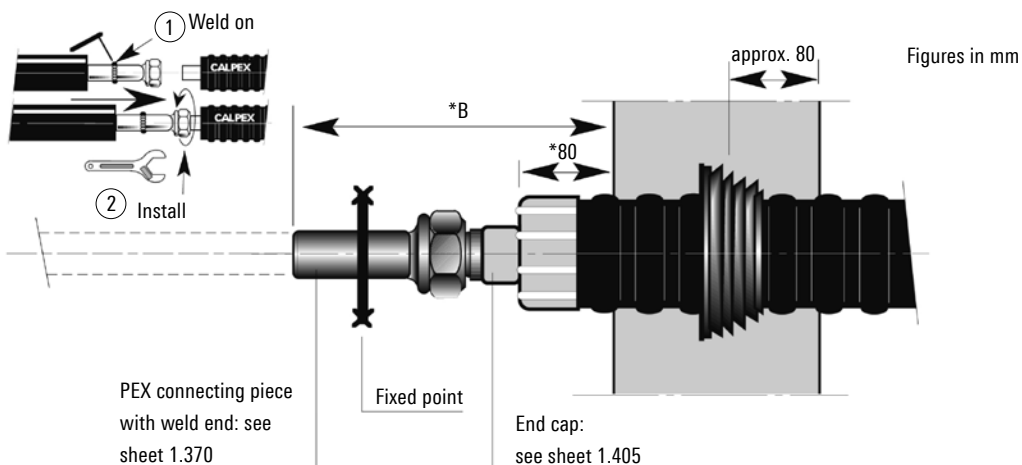
Shaft entry, fixed point forces

Connection with external thread



Heating, 6 bar		
PEX pipe	A	
mm	mm	
25 x 2.3	210	
32 x 2.9	220	
40 x 3.7	220	
50 x 4.6	220	
63 x 5.8	230	
75 x 6.8	235	
90 x 8.2	260	
110 x 10.0	270	
Sanitary, 10 bar		
22 x 3.0	210	
28 x 4.0	210	
32 x 4.4	220	
40 x 5.5	220	
50 x 6.9	220	
63 x 8.7	230	

Connection with weld end



Heating, 6 bar		
PEX pipe	B	
mm	mm	
25 x 2.3	340	
32 x 2.9	340	
40 x 3.7	340	
50 x 4.6	360	
63 x 5.8	340	
75 x 6.8	340	
90 x 8.2	410	
110 x 10.0	450	

* Dimensions can be reduced by max. 60 mm if end cap is walled in.

Fixed point forces occurring

CALPEX heating, 6 bar

Maximum fixed point forces occurring per pipe for:

Type	Type	TB = 60 °C, pB = 6 bar	TB = 90 °C, pB = 6 bar
		Fmax [N]	Fmax [N]
25/ 76	25/ 91 PLUS	640	924
32/ 76	32/ 91 PLUS	1036	1493
40/ 91	40/111 PLUS	1639	2367
50/111	50/126 PLUS	2553	3686
63/126	63/142 PLUS	4013	5782
75/142	75/162 PLUS	5693	8205
90/162	90/182 PLUS	8228	11864
110/182	110/202 PLUS	12260	17675
125/182	125/202 PLUS	15872	22888
140/202		19928	28747
160/250		26004	37502

CALPEX sanitary, 10 bar

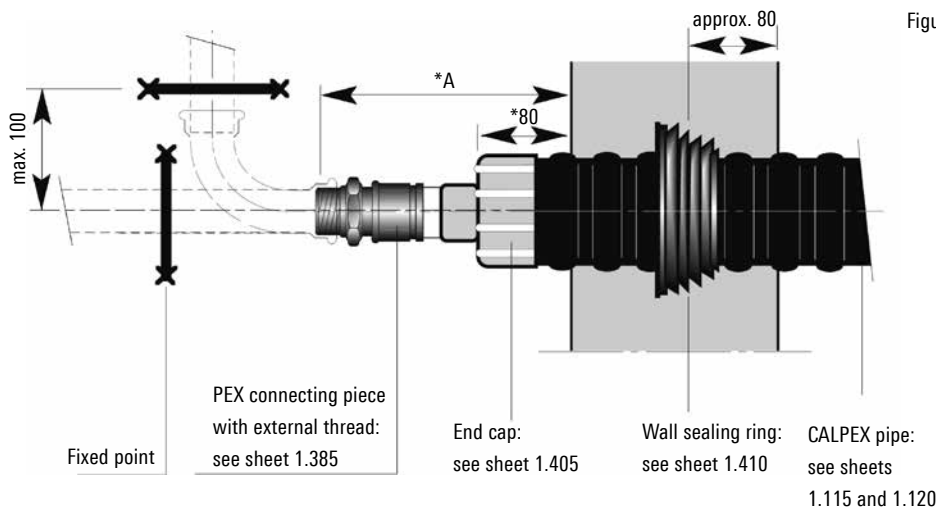
Maximum fixed point forces occurring per pipe for:

TB = 60 °C, pB = 10 bar		
Type	DN	Fmax [N]
22/ 76	16	820
28/ 76	20	1350
32/ 76	25	1730
40/ 91	32	2700
50/111	40	4230
63/126	50	6715

House entry, compression joint

Shaft entry, fixed point forces

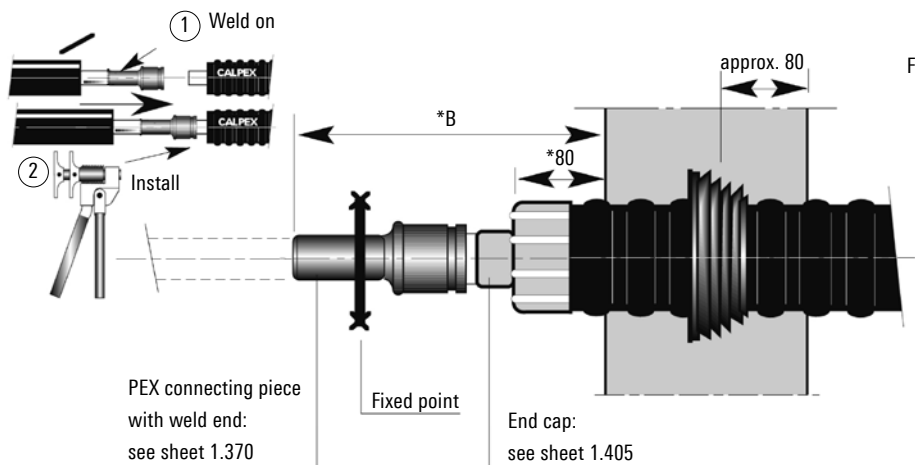
Connection with external thread



Figures in mm

Heating, 6 bar		
PEX pipe mm		A mm
25 x 2.3		260
32 x 2.9		260
40 x 3.7		270
50 x 4.6		270
63 x 5.8		320
75 x 6.8		320
90 x 8.2		330
110 x 10.0		340
125 x 11.4		340
160 x 14.6		340
Sanitary, 10 bar		
22 x 3.0		260
28 x 4.0		260
32 x 4.4		260
40 x 5.5		270
50 x 6.9		270
63 x 8.7		320

Connection with weld end



Figures in mm

Heating, 6 bar		
PEX pipe mm		B mm
25 x 2.3		250
32 x 2.9		250
40 x 3.7		260
50 x 4.6		270
63 x 5.8		310
75 x 6.8		310
90 x 8.2		310
110 x 10.0		310
125 x 11.4		310
140 x 12.7		340
160 x 14.6		340

* Dimensions can be reduced by max. 60 mm if end cap is walled in.

Fixed point forces occurring

CALPEX heating, 6 bar

Maximum fixed point forces occurring per pipe for:				
		TB = 60 °C, pB = 6 bar	TB = 90 °C, pB = 6 bar	
Type	Type	Fmax [N]	Fmax [N]	
25/ 76	25/ 91 PLUS	640	924	
32/ 76	32/ 91 PLUS	1036	1493	
40/ 91	40/111 PLUS	1639	2367	
50/111	50/126 PLUS	2553	3686	
63/126	63/142 PLUS	4013	5782	
75/142	75/162 PLUS	5693	8205	
90/162	90/182 PLUS	8228	11864	
110/182	110/202 PLUS	12260	17675	
125/182	125/202 PLUS	15872	22888	
140/202		19928	28747	
160/250		26004	37502	

CALPEX sanitary, 10 bar

Maximum fixed point forces occurring per pipe for:			
TB = 60 °C, pB = 10 bar			
Type	DN	Fmax [N]	
22/ 76	16	820	
28/ 76	20	1350	
32/ 76	25	1730	
40/ 91	32	2700	
50/111	40	4230	
63/126	50	6715	

Installation of house entry



1 Mark the distance (x, y, z) + 1 cm from the end of the pipe.



2 Cut the casing pipe with saw.



3 Split the casing pipe with knife.
Note: Don't damage the carrier pipe!



4 Peel off the casing.



5 Cut back/remove the insulation along length (X, Y, Z).
Note: Don't damage the carrier pipe!



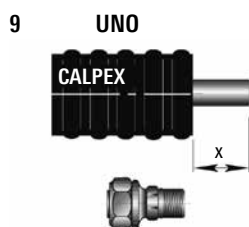
6 Install the wall sealing ring.



7 Carefully shrink on the pipe end closure according to the Raychem DHEC installation instruction.

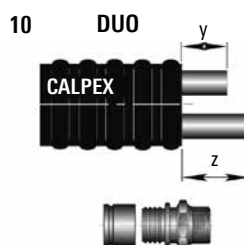


8 Install the fitting as per the enclosed installation instructions.



9 UNO
CALPEX

UNO screwed connector
House connection:
 ø 22 - 75: X = 90 mm
 ø 90 - 110: X = 140 mm
 Joint/sleeve:
 ø 22 - 75: X = 70 mm
 ø 90 - 110: X = 140 mm



10 DUO
CALPEX

UNO compression joint
House connection:
 ø 22 - 50: X = 140 mm
 ø 63 - 125: X = 180 mm
 Joint/sleeve:
 ø 22 - 50: X = 110 mm
 ø 63 - 110: X = 140 mm
 ø 125 - 160: X = 150 mm

DUO screwed connector
House connection:
 ø 22 - 50: Y = 80 mm
 ø 22 - 50: Z = 180 mm
 Joint/sleeve:
 ø 22 - 50: Y = 60 mm
 ø 22 - 50: Z = 160 mm

DUO compression joint
House connection:
 ø 22 - 50: Y,Z = 140 mm
 ø 63: Y,Z = 160 mm
 Joint/sleeve:
 ø 22 - 50: Y,Z = 110 mm
 ø 63: Y,Z = 140 mm

Note: Install the CPX-Clip-Shells according to the installation instruction!

Installation tools

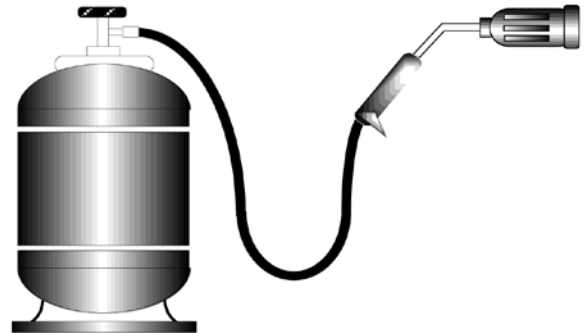
general and for screwed connector

Cut to length and strip insulation



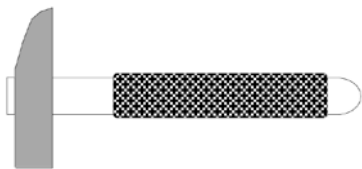
The saw is used to cut the casing pipe and the insulation

Shrink procedure



The gas burner is used to shrink hoses and joints

Knife to split casing and remove insulation

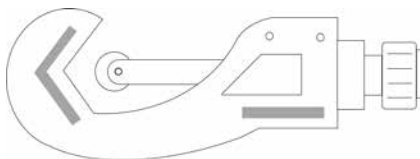


Hammer as auxiliary tool

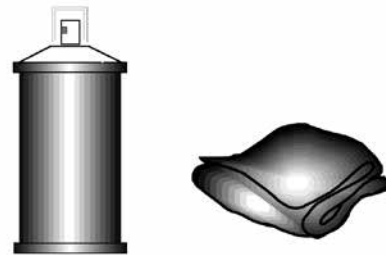


It is recommended that gloves are worn for shrinking work.

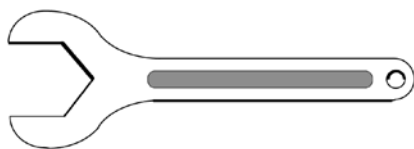
Fit of connection piece



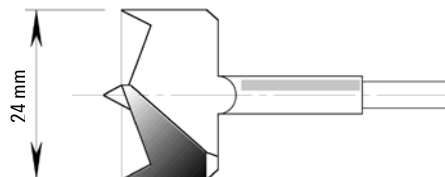
Pipe cutter for PEX pipe



Cleaning products and cleaning cloths



Spanner wrench

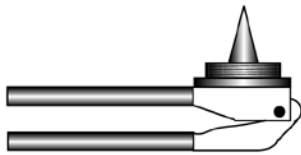


Flat bit for cutting filler hole

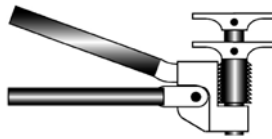
Installation tools

for press fit joints

Manual tool for PEX Ø 22 - 40 mm (packed in one case)



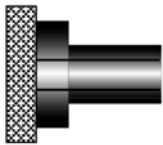
Expander tool, up to Ø 32 mm (basic tool)



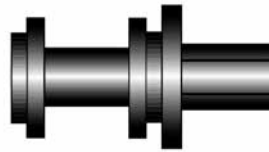
Press tool, up to Ø 40 mm
Expander tool for Ø 40 mm (basic tool)



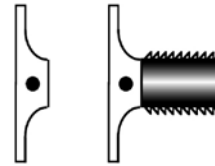
Case with basic tool including head and yoke



Expander head, up to Ø 32 mm

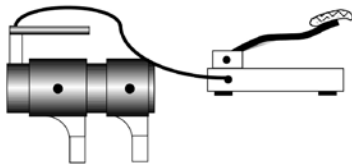


Expander head, over Ø 40 mm



Press yoke, Ø 22 - 40 mm

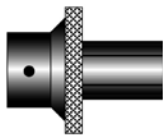
Hydraulic tool for PEX Ø 50 - 110 mm (packed in two cases)



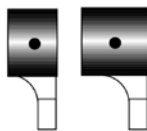
Hydraulic press and expander tool
Ø 50 - 110 mm including foot pump (basic tool)



Case with basic tool (without heads and yoke)



Expander head
Ø 50 - 110 mm



Press yoke
Ø 50, 63 mm

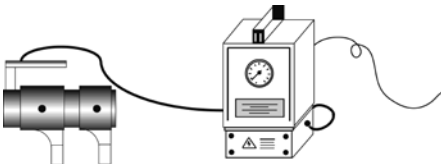


Reducer Ø 75/90 mm
for yoke, Ø 110 mm



Case with expander heads and press yoke

Electro-hydraulic tool for PEX Ø 125 - 160 mm (packed in two cases)



Hydraulic press and expander tool
Ø 125 - 160 mm including foot pump (basic tool)



Case with basic tool (without heads and yoke)



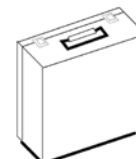
Expander head
Ø 125 - 160 mm



Press yoke
Ø 140 mm, 160 mm



Reducer Ø 125 mm
for yoke, Ø 160 mm

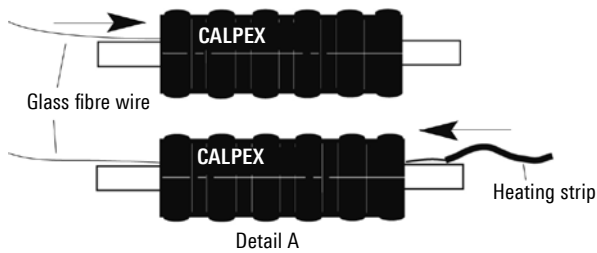


Case with expander heads and press yoke

Heating strip, sanitary, 10 bar

Drawing in, sensor, joint

1. Pulling through the heating strip

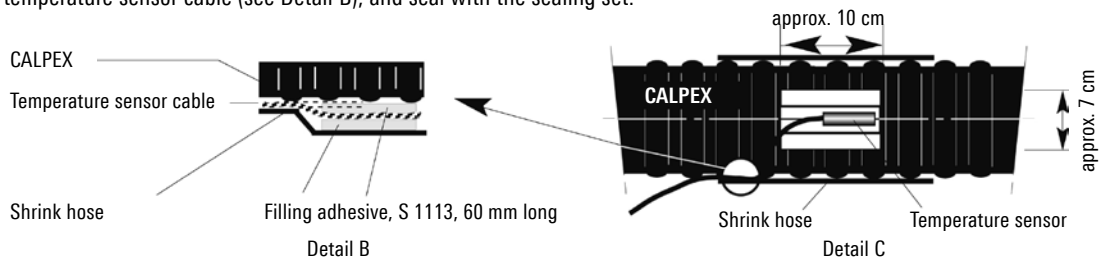


1. Unroll the pipe so that it is straight, next to the trench (without bends). See also CPX 1.120. Shorten the casing and cut back the channel. From one end, push the glass fibre wire (ø 6.5 mm) through the channel. The heating strip can be pushed in for straight lengths of up to 30 m.

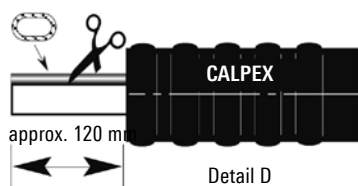
2. Connect the heating strip or pull cord to the wire (drill a hole in the strip) and pull through the heating strip.

2. Installation of the temperature sensor for frost protection

The temperature sensor has to be installed on the carrier pipe, opposite the heating strip. It must be installed at the coldest point of the pipe (outside the building). For this purpose, cut open an area of the casing measuring 10 x 7 cm and peel it off, cut open 10 x 7 cm of foam, fix the temperature sensor onto the carrier pipe with adhesive tape, fill the hole with the insulation material supplied, apply filling adhesive S1113 below and above the temperature sensor cable (see Detail B), and seal with the sealing set.



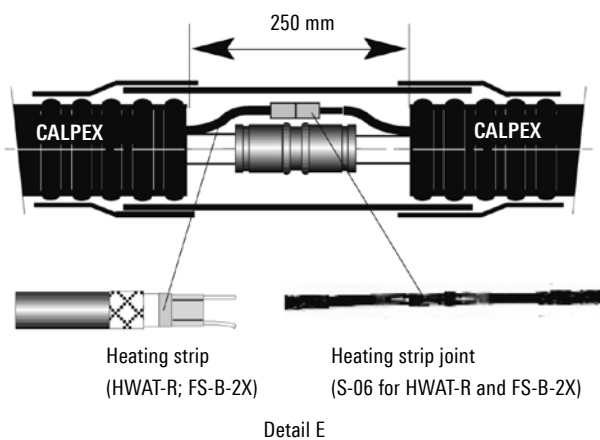
3. Remove the insulation



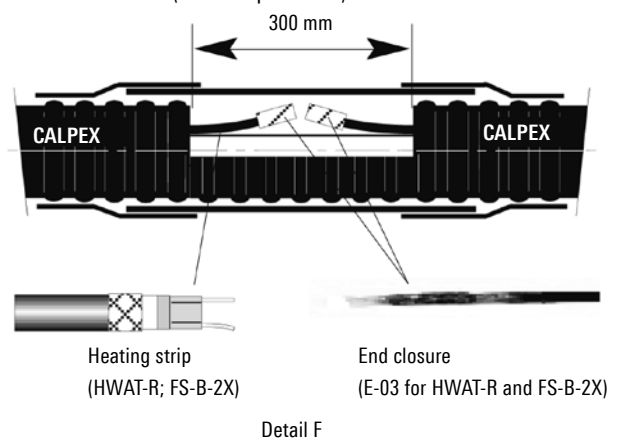
Shorten the casing by 120 mm and cut off the exposed channel.

4. Joint

Through connection $L \leq L_{max}^*$
Feed in from one end



Separate of heating strips $L > L_{max}^*$
Feed in from both end (each strip $\leq L_{max}$)



Protect the heating strip against moisture
* L_{max} = max. permitted length for heating strip

The heating strip and the accessories are supplied and installed by the electrician!