



**DURATION WINDOWS**

# **The Premium Window & Premium Plus Window Specification Manual**

# Contents



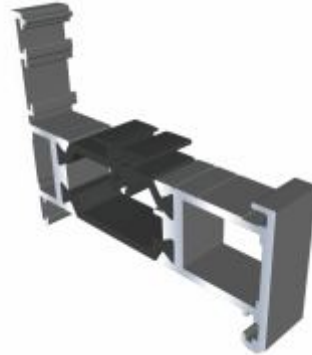
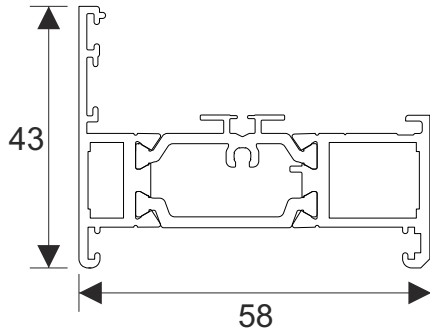
DURATION  
WINDOWS

● 58mm Outer Frames	3
● 70mm Outer Frames	4
● Deep Outer Frames	5
● Opening Vents	6 - 7
● Beads & Extensions	8
● Transom, Mullion & Mid Rail	9
● Coupling Bars (58mm)	10
● Coupling Bars (70mm)	11
● Bay Poles	12 - 13
● Corner Posts	14
● Cills	15 - 16
● Opening Window Details	17 - 18
● 'A' Rated Window Details	19 - 20
● Fixed Window Details	21
● Transom & Mullion Details	22
● Coupling 58mm Frames	23
● Coupling 70mm Frames	24
● WER's Chart	25



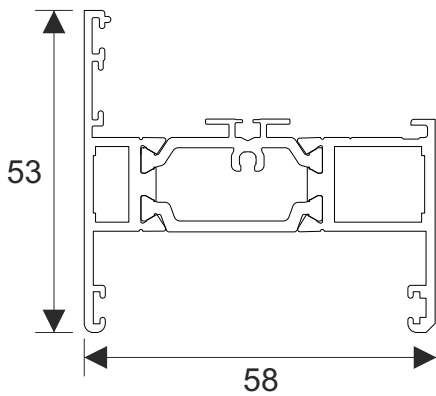
## Outer Frames

### 58 mm Equal Leg Slim Frame (AW604)

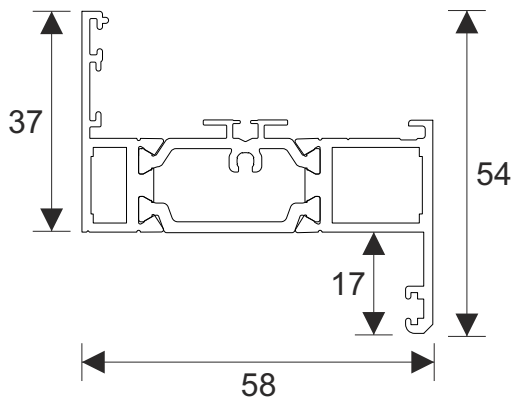


Needed For An 'A' Rated Window  
See Pages 19 - 20

### 58 mm Equal Leg Std Frame (AW605)



### 58 mm Odd Leg Frame (AW603)

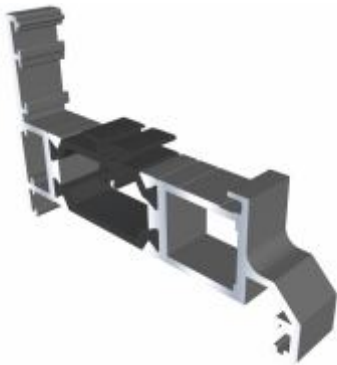
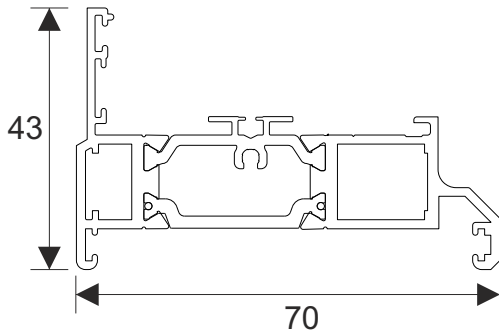


Needed For An 'A' Rated Window  
See Pages 19 - 20



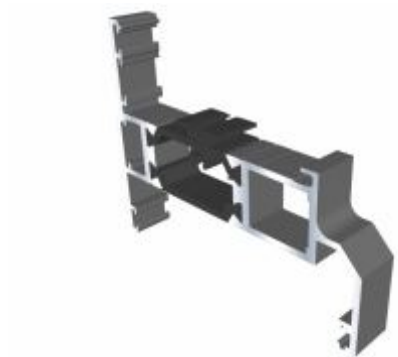
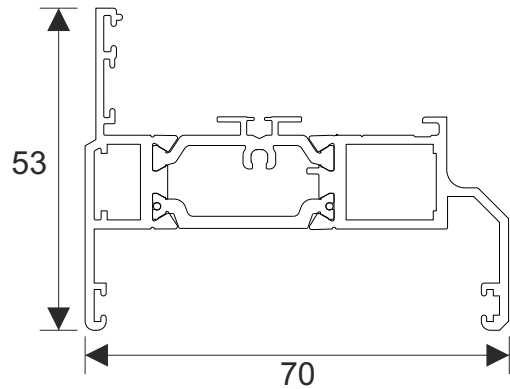
## Outer Frames

### 70mm Equal Leg Slim Frame (AW600)

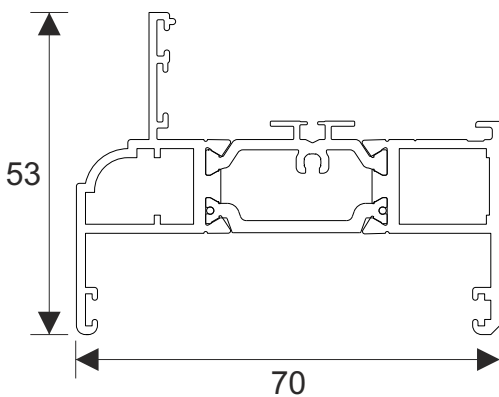


Needed For An 'A' Rated Window  
See Pages 19 - 20

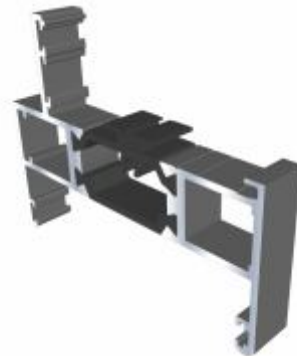
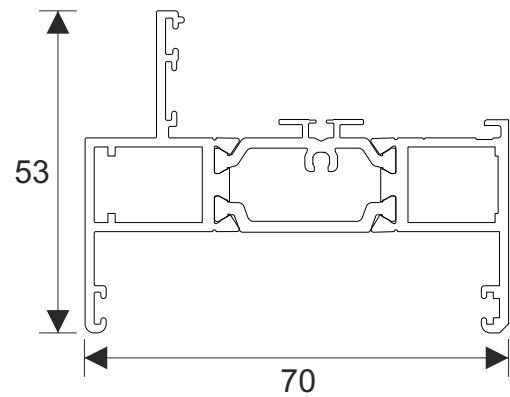
### 70mm Equal Leg Std Frame (AW601)



### 70mm Equal Leg Ovolo Frame (AW602)



### 70mm Square Frame (AW622)



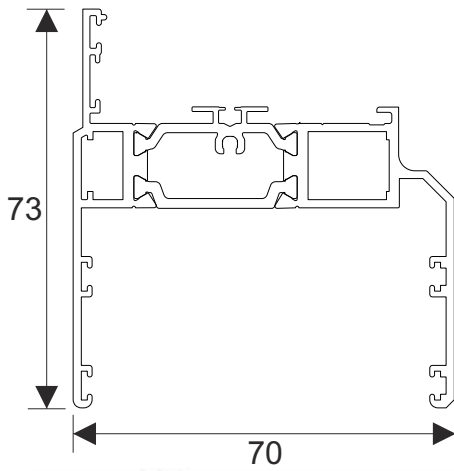
Duration Windows reserves the right to make changes to the product specification as technical developments dictate, and without prior notice. Pictures shown are for illustrative purposes and are not binding in detail, colour or specification.

# Outer Frames

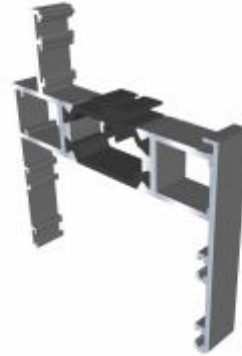
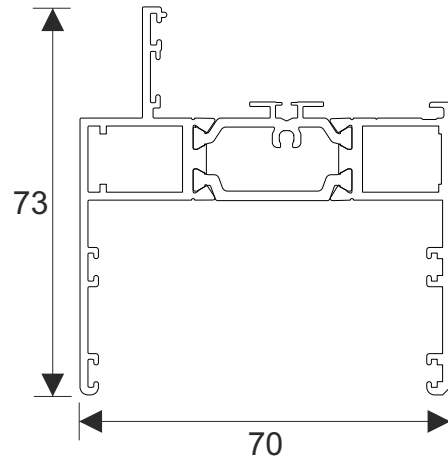


**DURATION  
WINDOWS**

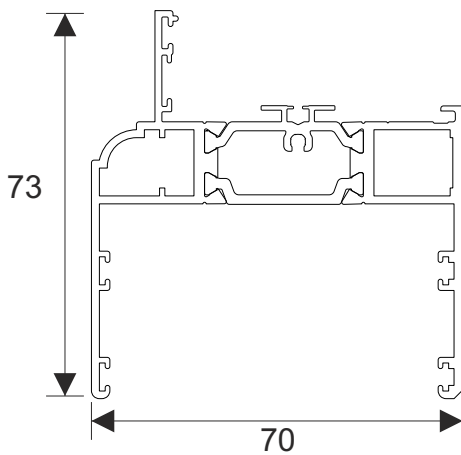
**70mm Deep Frame (AW606)**



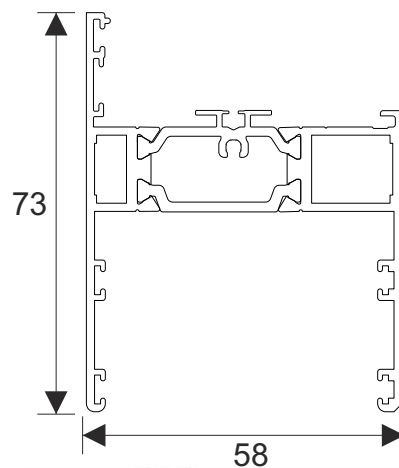
**70mm Square Deep Frame (AW623)**



**70mm Deep Ovolo Frame (AW607)**



**58mm Deep Frame (AW608)**



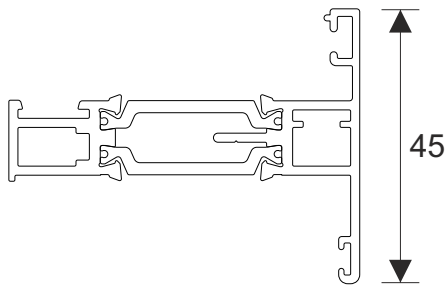
Duration Windows reserves the right to make changes to the product specification as technical developments dictate, and without prior notice. Pictures shown are for illustrative purposes and are not binding in detail, colour or specification.

# Opening Vents

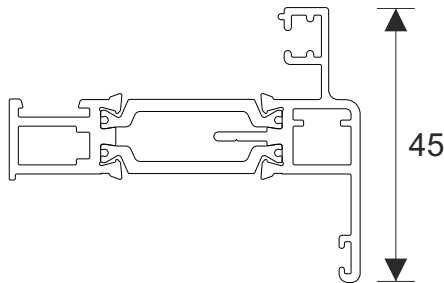


DURATION  
WINDOWS

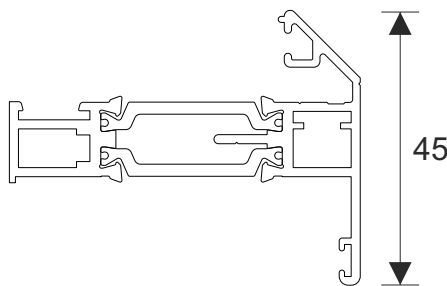
## Flat Sash (AW685)



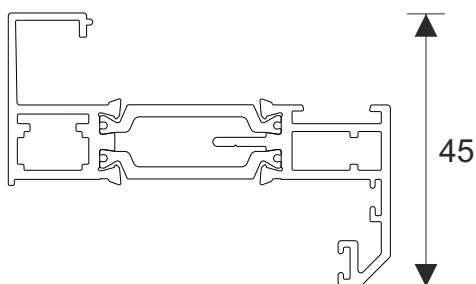
## Stepped Sash (AW686)



## Chamfered Sash (AW614)



## Feature Sash (AW690)



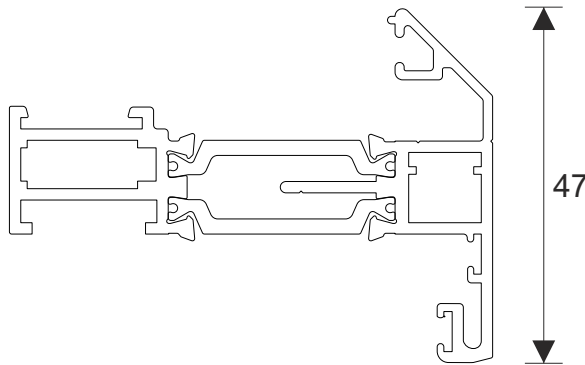
Duration Windows reserves the right to make changes to the product specification as technical developments dictate, and without prior notice. Pictures shown are for illustrative purposes and are not binding in detail, colour or specification.

# Opening Vents



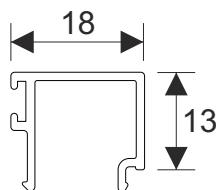
DURATION  
WINDOWS

## Chelton Sash (AW675)



## Chelton Bead (AW676)

For: AW675



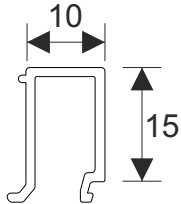
# Beads & Extensions



**DURATION  
WINDOWS**

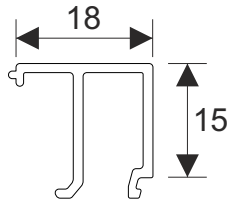
## Flat Bead (AW663)

For:  
AW614  
AW686



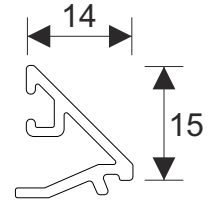
## Square Bead (AW683)

For:  
AW685



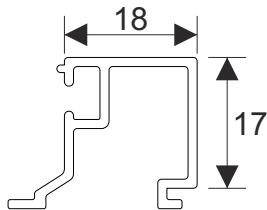
## Chamfered Bead (AW682)

For:  
AW690



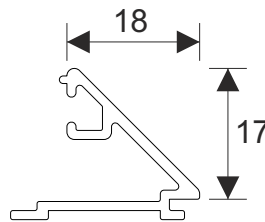
## Square Bead (AW660)

For:  
Fixed

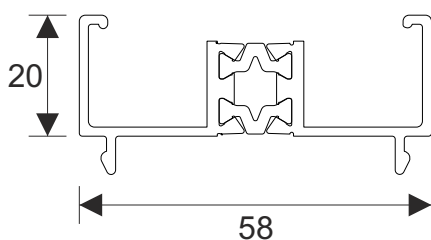
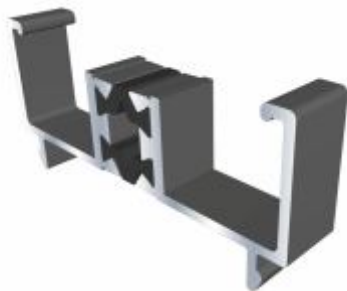


## Chamfered Bead (AW513)

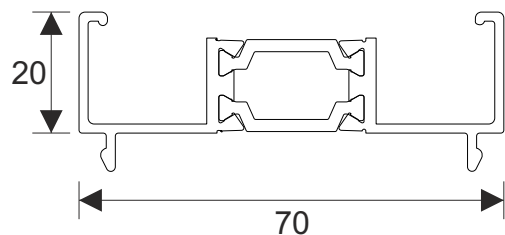
For:  
Fixed



## 20mm Extension (AW725)



## 20mm Extension (AW724)



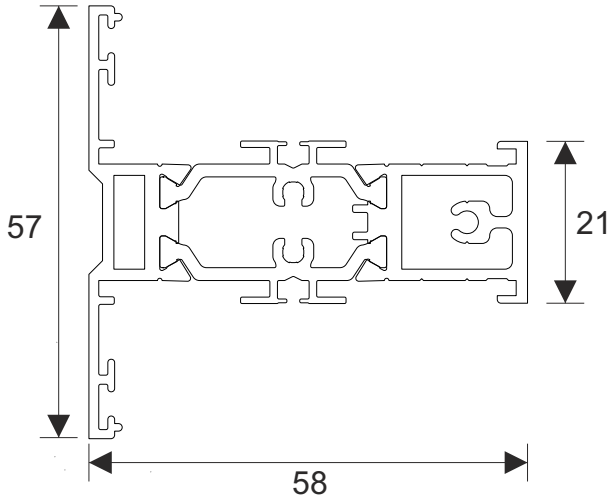
Duration Windows reserves the right to make changes to the product specification as technical developments dictate, and without prior notice. Pictures shown are for illustrative purposes and are not binding in detail, colour or specification.

# Transom, Mullion & Midrail

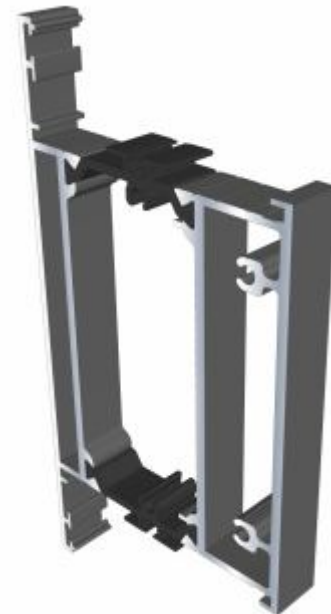
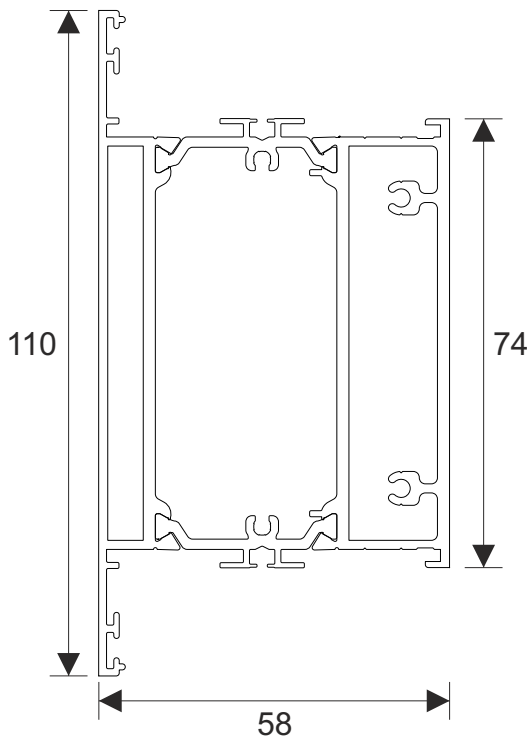


DURATION  
WINDOWS

## Transom / Mullion (AW631)



## Midrail (AW635)

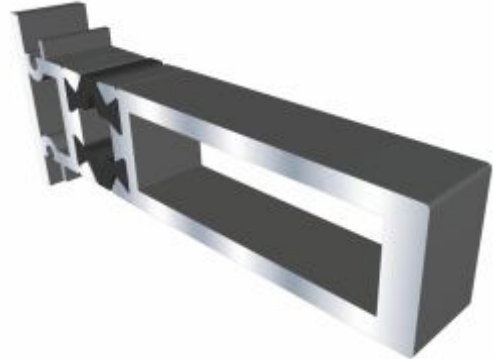
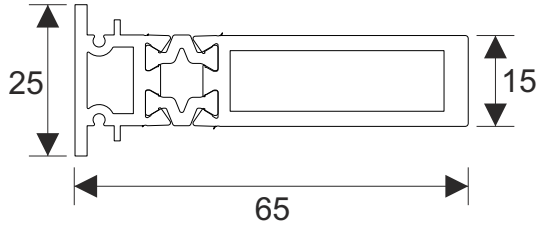


Duration Windows reserves the right to make changes to the product specification as technical developments dictate, and without prior notice. Pictures shown are for illustrative purposes and are not binding in detail, colour or specification.

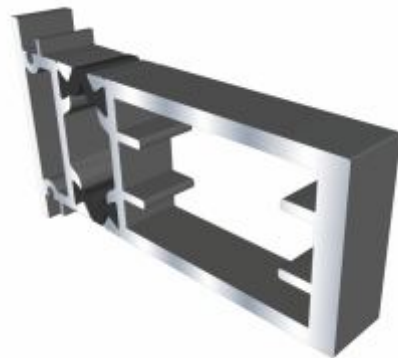
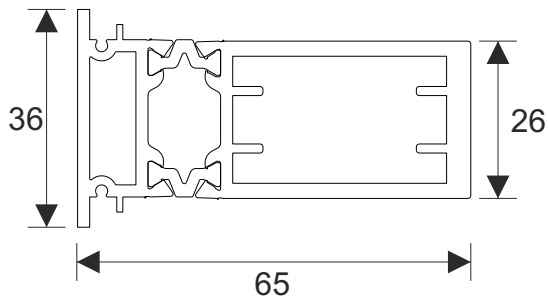


## Coupling Bars

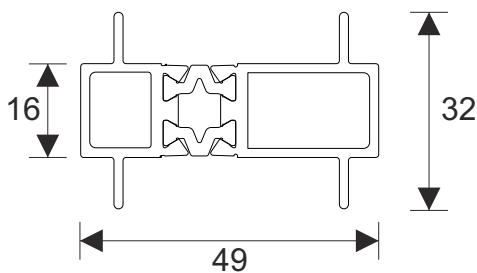
### 15mm Coupling Bar For 58mm Frame (AW703)



### 26mm Coupling Bar For 58mm Frame (AW706)



### Concealed Coupling Bar For 58mm Frame (AW710)

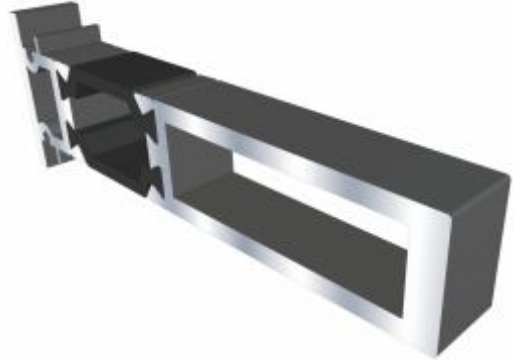
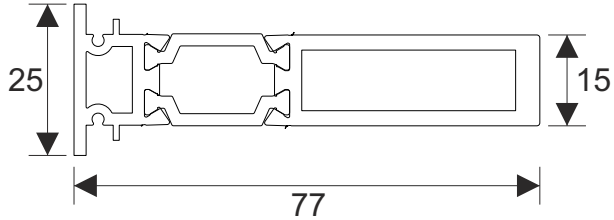


# Coupling Bars

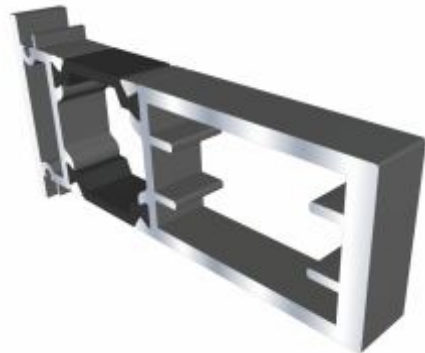
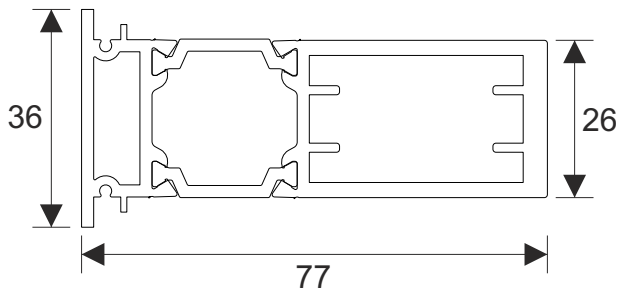


DURATION  
WINDOWS

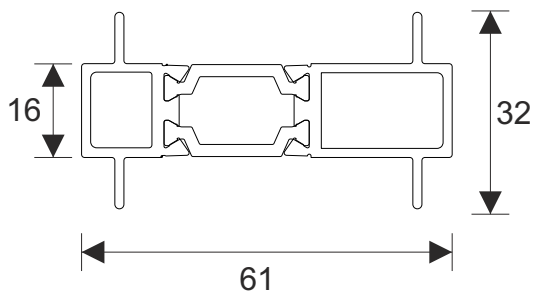
## 15mm Coupling Bar For 70mm Frame (AW702)



## 26mm Coupling Bar For 70mm Frame (AW705)



## Concealed Coupling Bar For 70mm Frame (AW709)



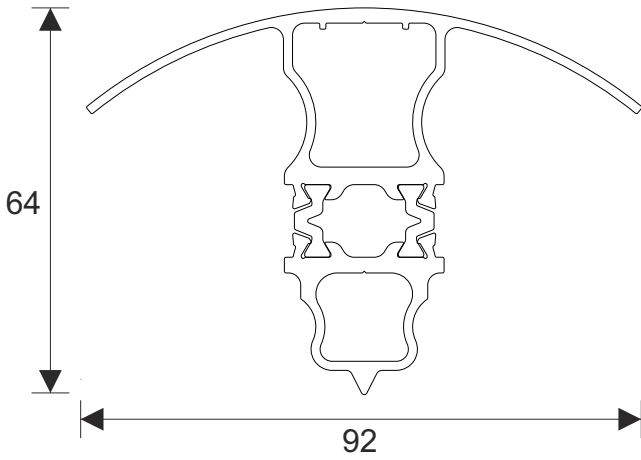
Duration Windows reserves the right to make changes to the product specification as technical developments dictate, and without prior notice. Pictures shown are for illustrative purposes and are not binding in detail, colour or specification.

# Bay Poles

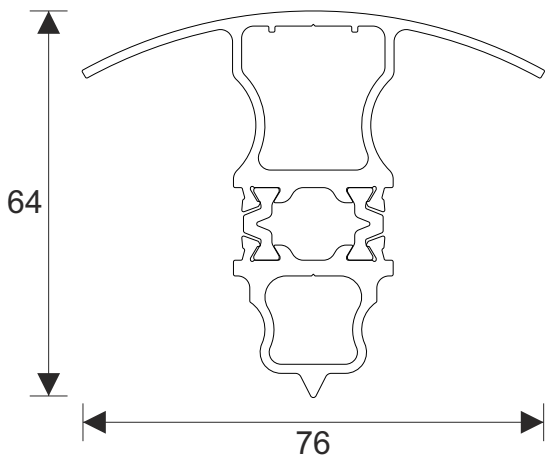


DURATION  
WINDOWS

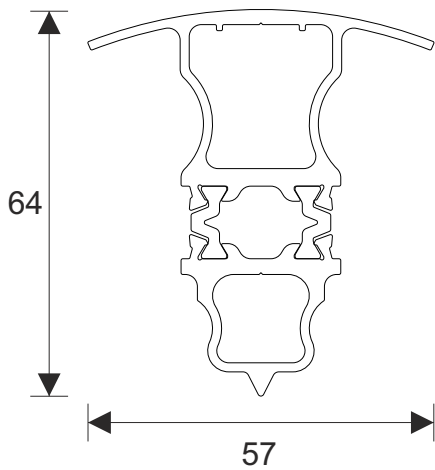
## 100 - 120° Bay Pole (AW715)



## 120 - 140° Bay Pole (AW716)



## 140 - 160° Bay Pole (AW717)



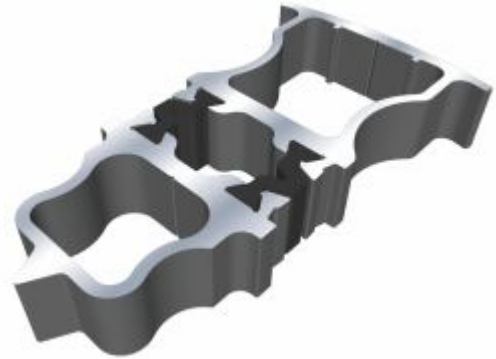
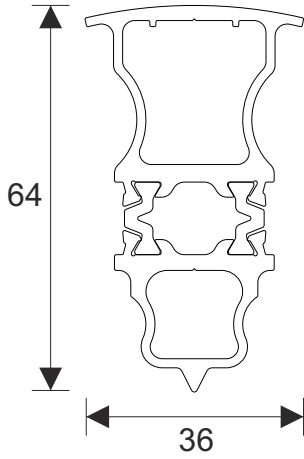
Duration Windows reserves the right to make changes to the product specification as technical developments dictate, and without prior notice. Pictures shown are for illustrative purposes and are not binding in detail, colour or specification.

# Bay Poles

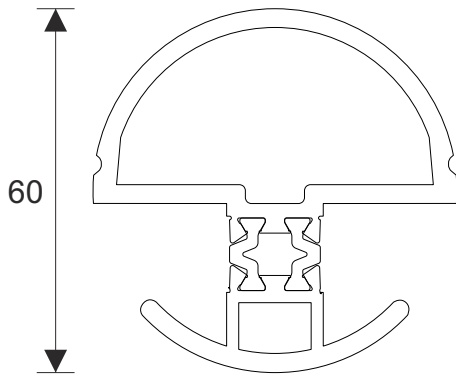


DURATION  
WINDOWS

## 160 - 180° Bay Pole (AW718)



## 60mm Bay Pole (AW712)

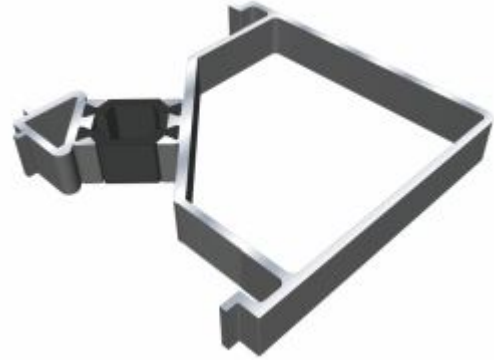
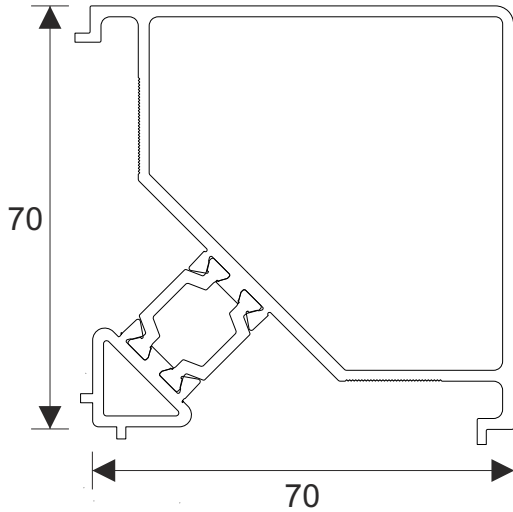


Duration Windows reserves the right to make changes to the product specification as technical developments dictate, and without prior notice. Pictures shown are for illustrative purposes and are not binding in detail, colour or specification.

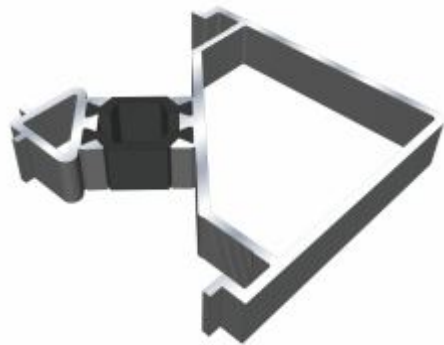
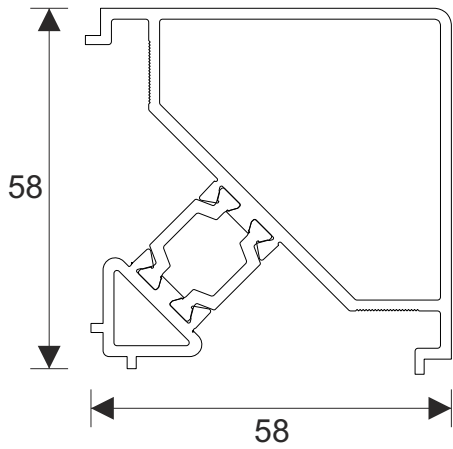


## Corner Posts

### 90° Corner Post 70mm (AW720)

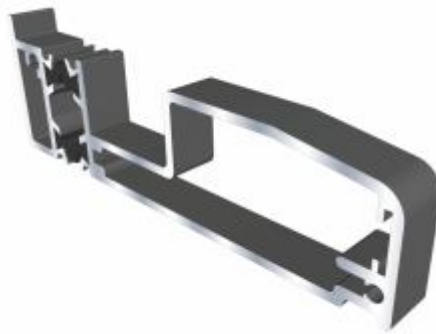
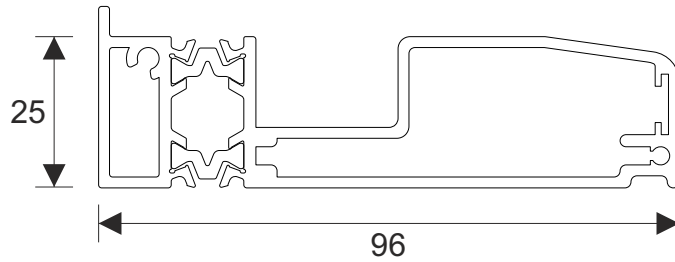


### 90° Corner Post 58mm (AW721)

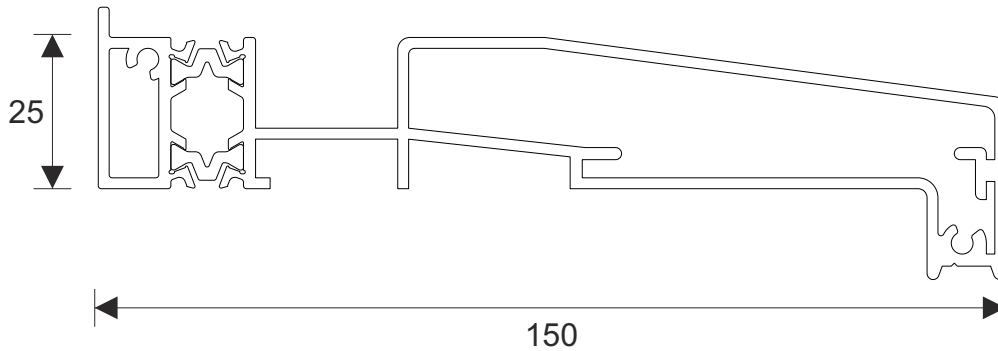




## 96mm Stub Cill (AW570)



## 150mm Cill (AW542)

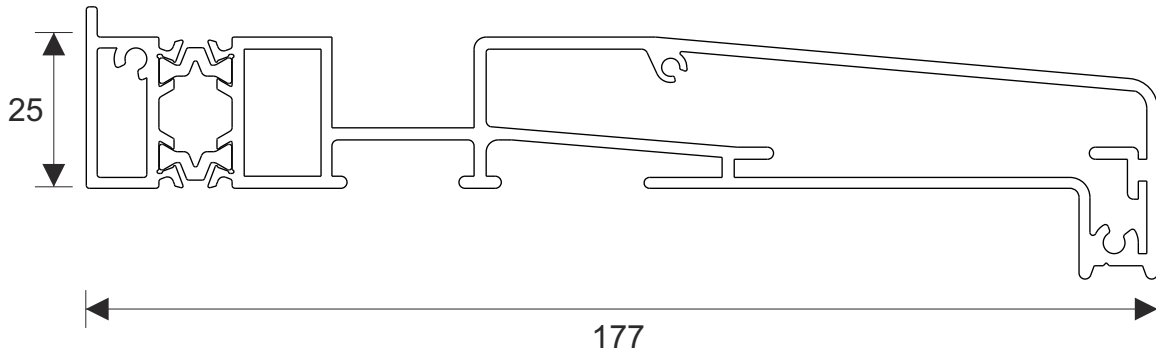


# Cills

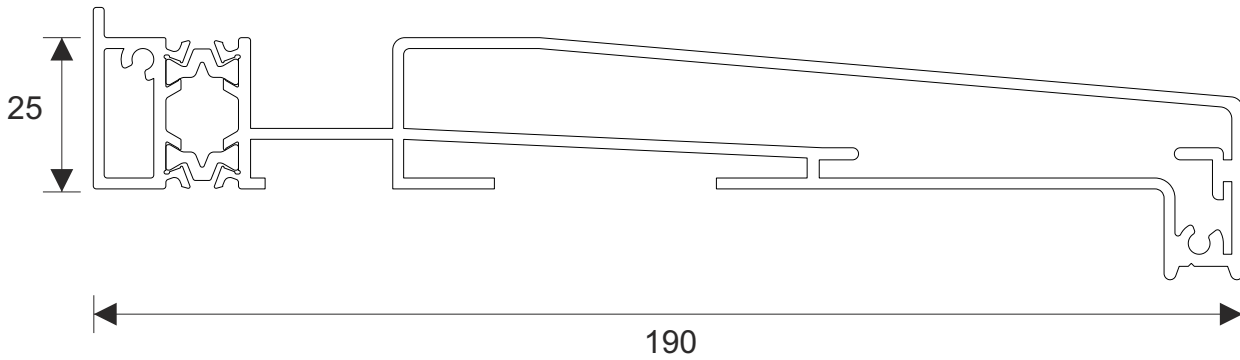


DURATION  
WINDOWS

## 177mm Cill (AW543)



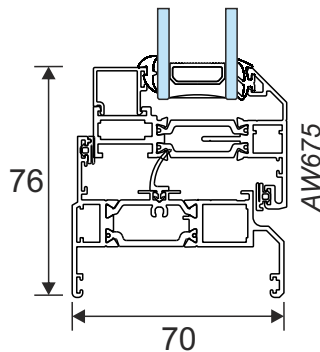
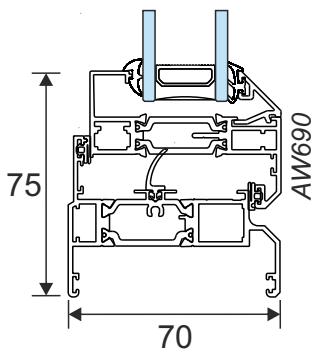
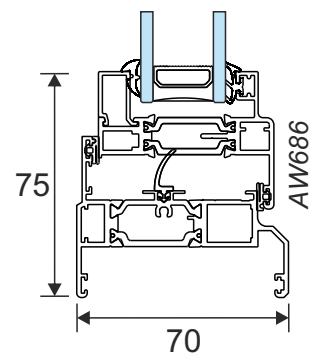
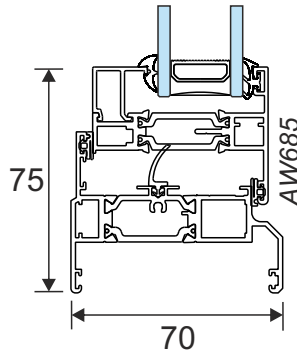
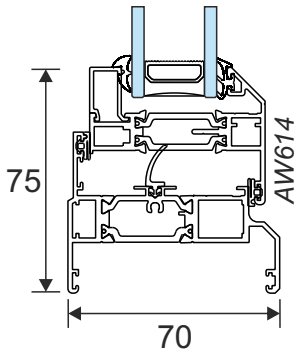
## 190mm Cill (AW544)



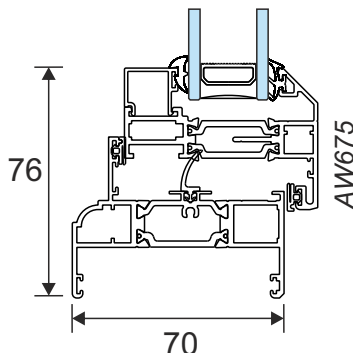
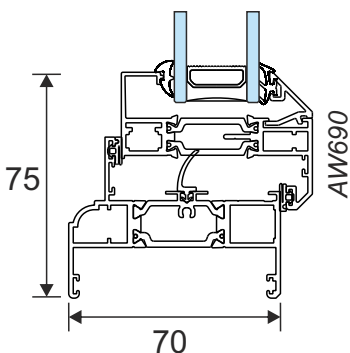
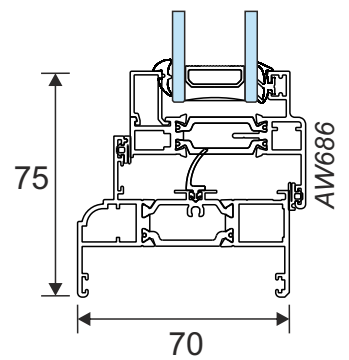
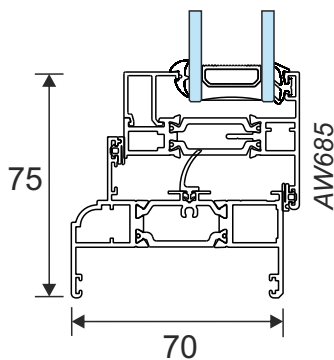
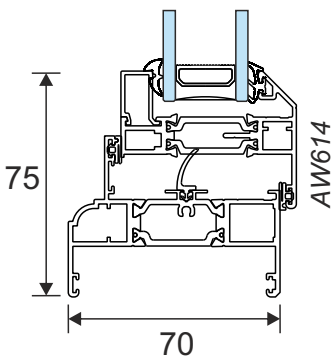
Duration Windows reserves the right to make changes to the product specification as technical developments dictate, and without prior notice. Pictures shown are for illustrative purposes and are not binding in detail, colour or specification.



## Opening Vents With AW601 Outer Frame



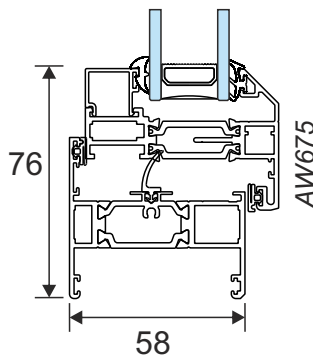
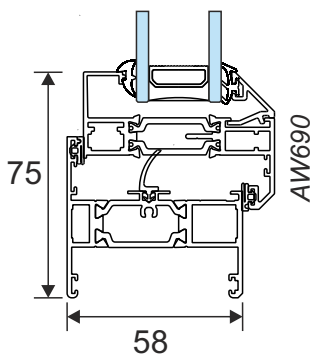
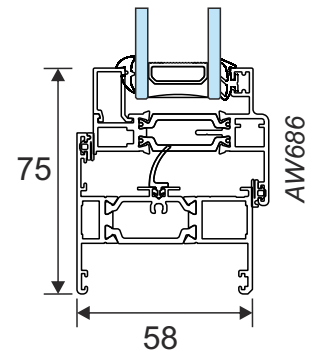
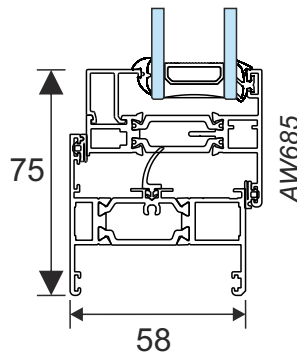
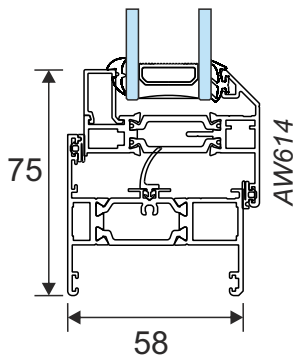
## Opening Vents With AW602 Outer Frame



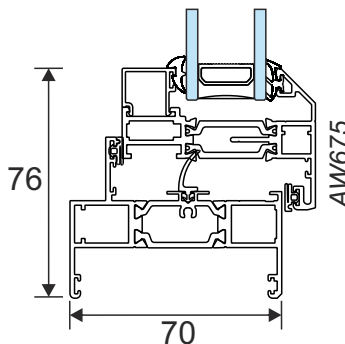
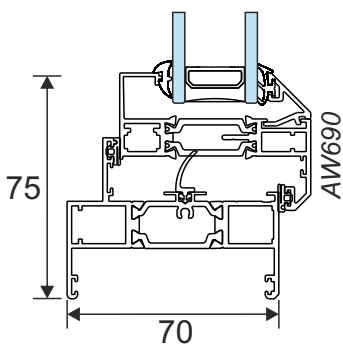
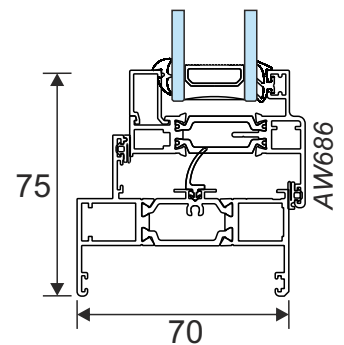
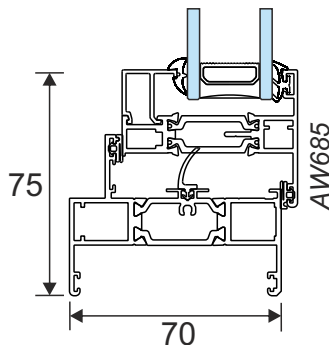
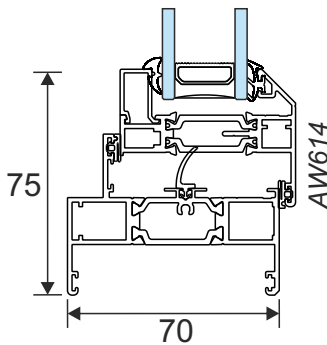
Duration Windows reserves the right to make changes to the product specification as technical developments dictate, and without prior notice. Pictures shown are for illustrative purposes and are not binding in detail, colour or specification.



## Opening Vents With AW605 Outer Frame



## Opening Vents With AW622 Outer Frame



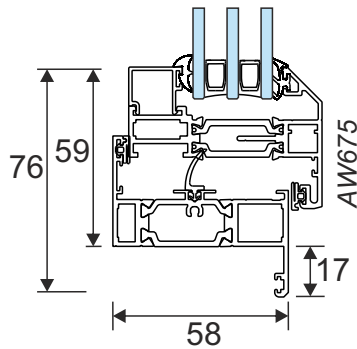
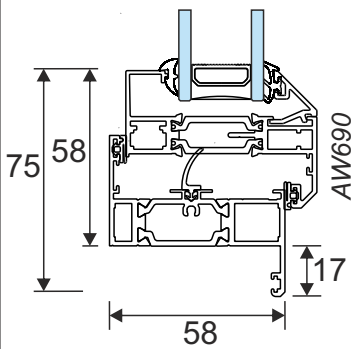
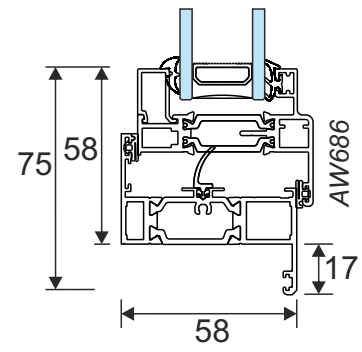
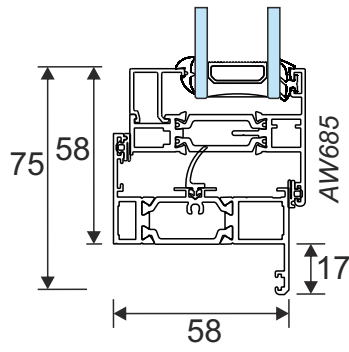
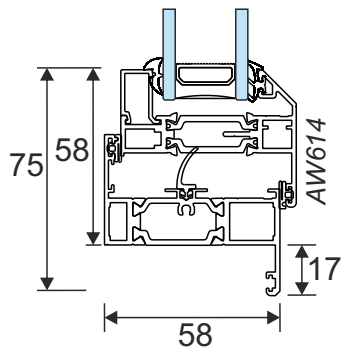
Duration Windows reserves the right to make changes to the product specification as technical developments dictate, and without prior notice. Pictures shown are for illustrative purposes and are not binding in detail, colour or specification.

# 'A' Rated Opening Windows



**DURATION  
WINDOWS**

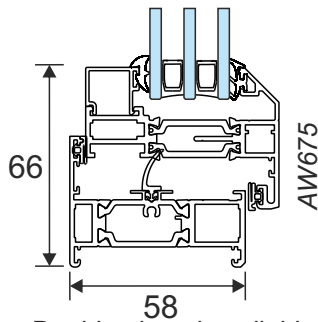
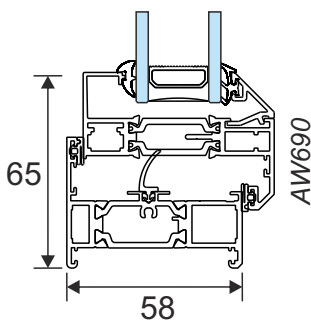
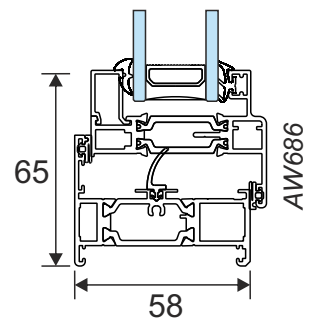
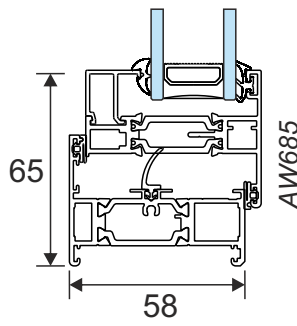
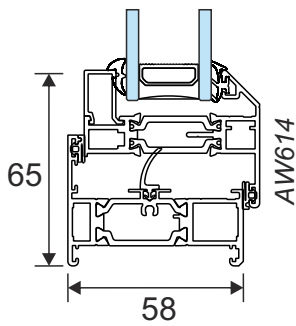
## Opening Vents With AW603 Outer Frame



Glass Spec On Page 20

Double glazed available but is not 'A' Rated

## Opening Vents With AW604 Outer Frame



Glass Spec On Page 20

Double glazed available but is not 'A' Rated

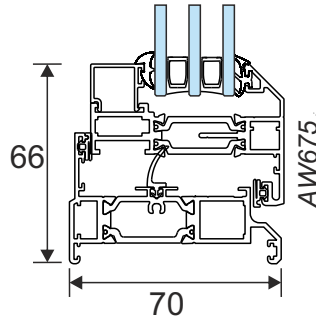
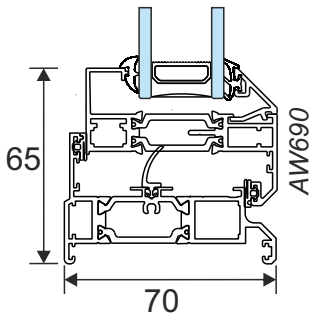
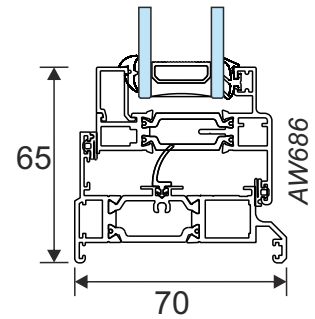
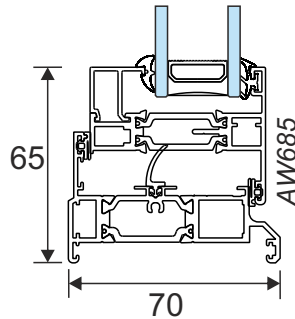
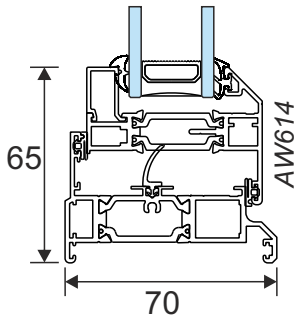
Duration Windows reserves the right to make changes to the product specification as technical developments dictate, and without prior notice. Pictures shown are for illustrative purposes and are not binding in detail, colour or specification.

# 'A' Rated Opening Windows



# DURATION WINDOWS

## Opening Vents With AW600 Outer Frame



Double glazed available  
but is not 'A' Rated

## 'A' Rated Windows Glass Specification

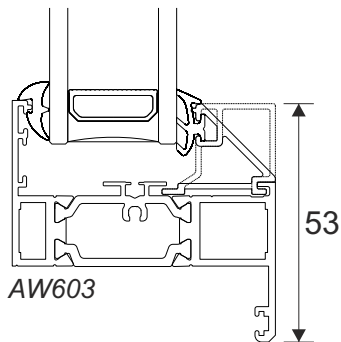
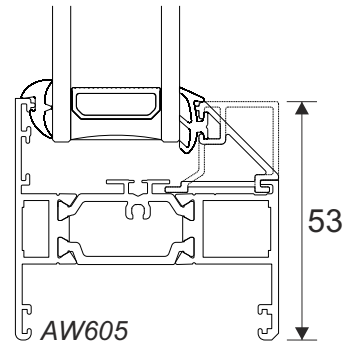
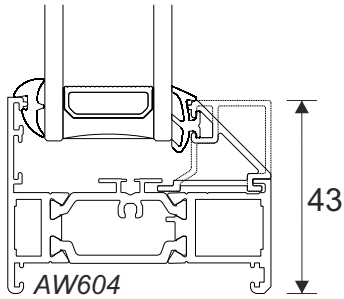
'A' Rated configurations using outer frames: AW600, AW603, AW604 with vents  
AW614, AW685, AW686, AW690 will use:

28mm Unit, Diamant glass, Planitherm Total +, 90% Argon Filled, Swiss V Spacer

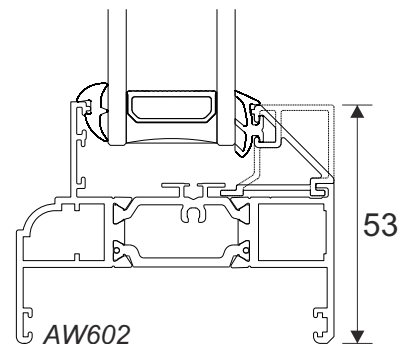
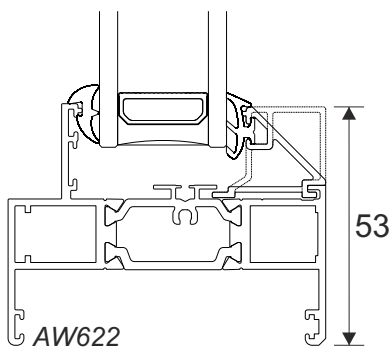
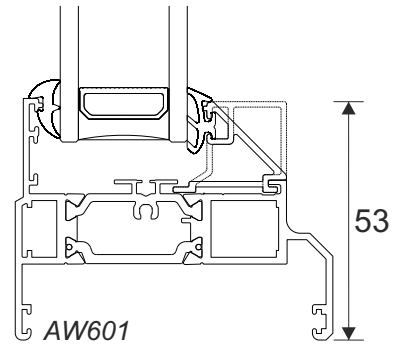
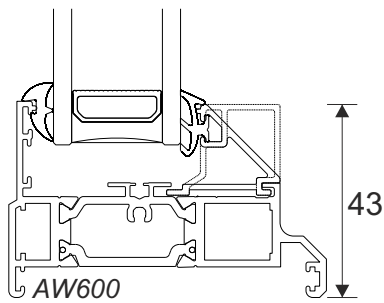
For the Chelton Vent (AW675) to be 'A' rated triple glazing is required.  
Please ask our technical dept for more details.



## Fixed Lite 58mm Frames



## Fixed Lite 70mm Frames



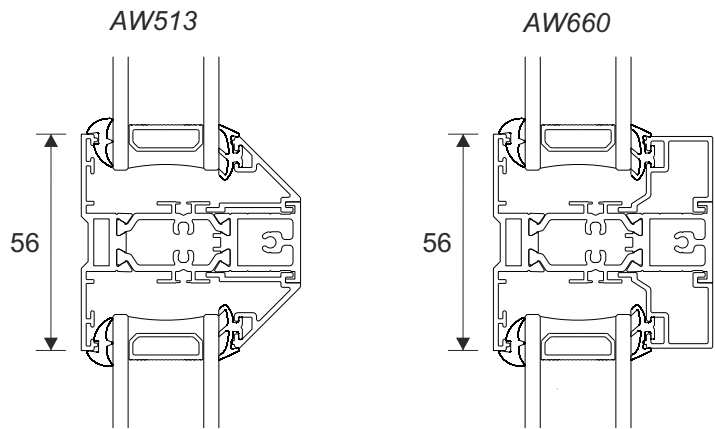
Duration Windows reserves the right to make changes to the product specification as technical developments dictate, and without prior notice. Pictures shown are for illustrative purposes and are not binding in detail, colour or specification.

# Transom & Mullion Details

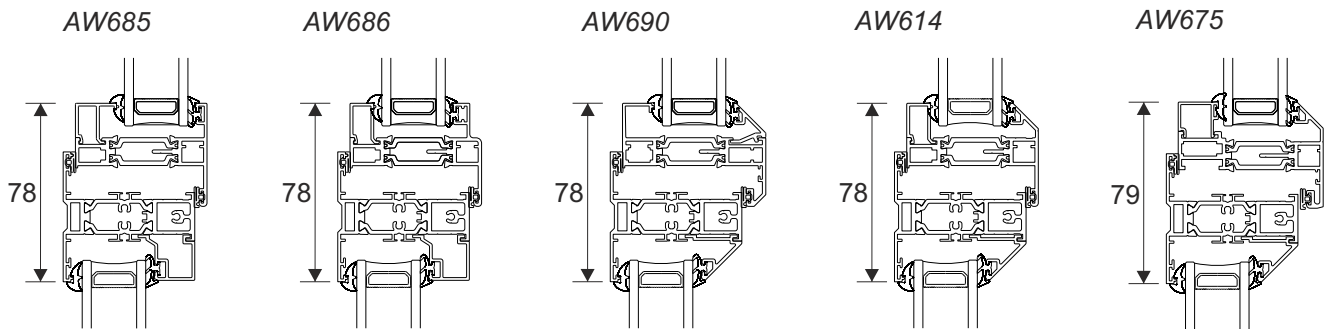


**DURATION  
WINDOWS**

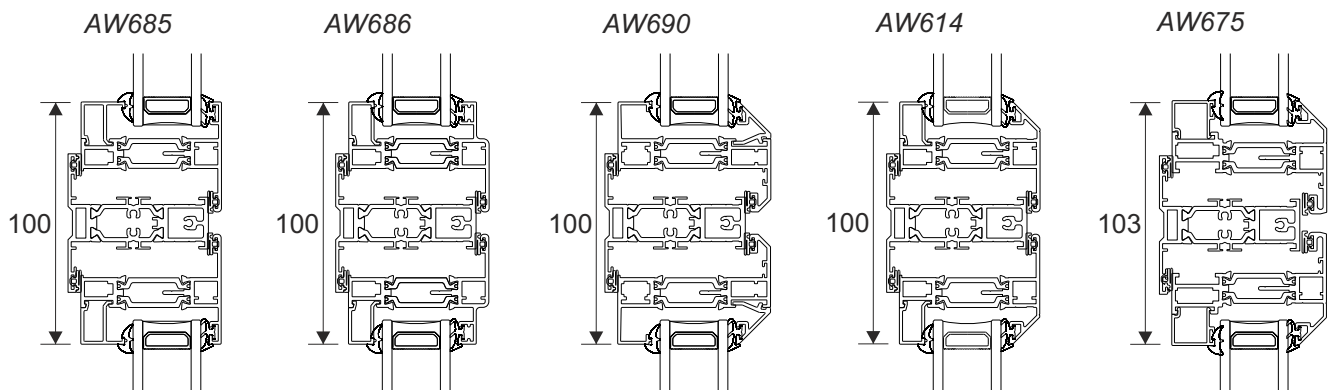
## Fixed / Fixed



## Fixed With An Opener



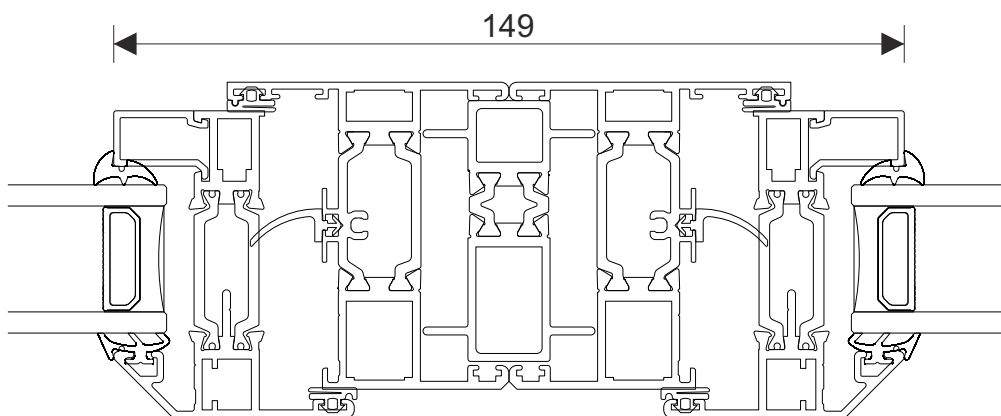
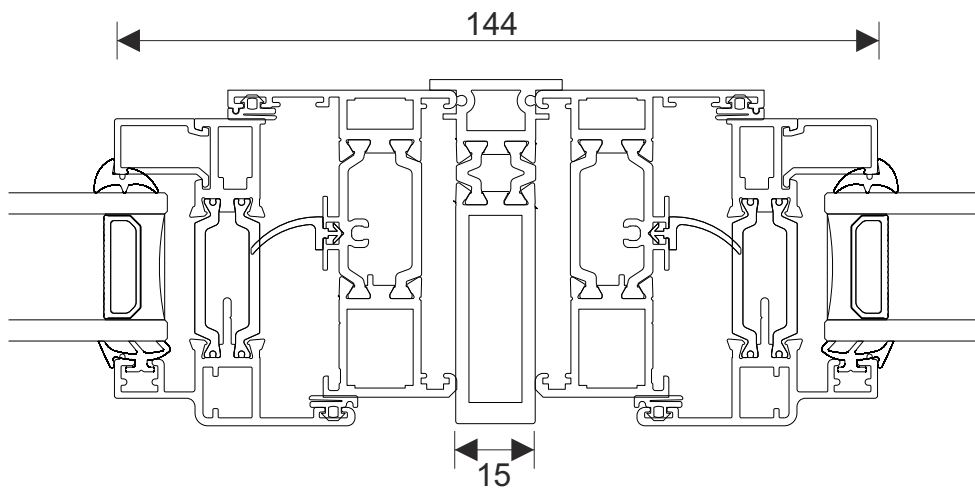
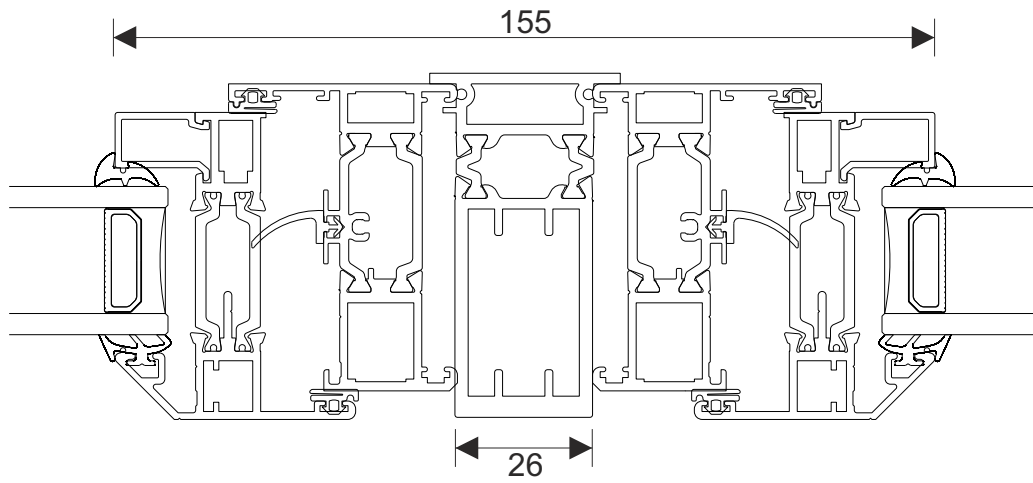
## Opener With An Opener



Duration Windows reserves the right to make changes to the product specification as technical developments dictate, and without prior notice. Pictures shown are for illustrative purposes and are not binding in detail, colour or specification.



## Coupling 58mm Outer Frames



These are just some of the coupling combination. Please ask for more details.

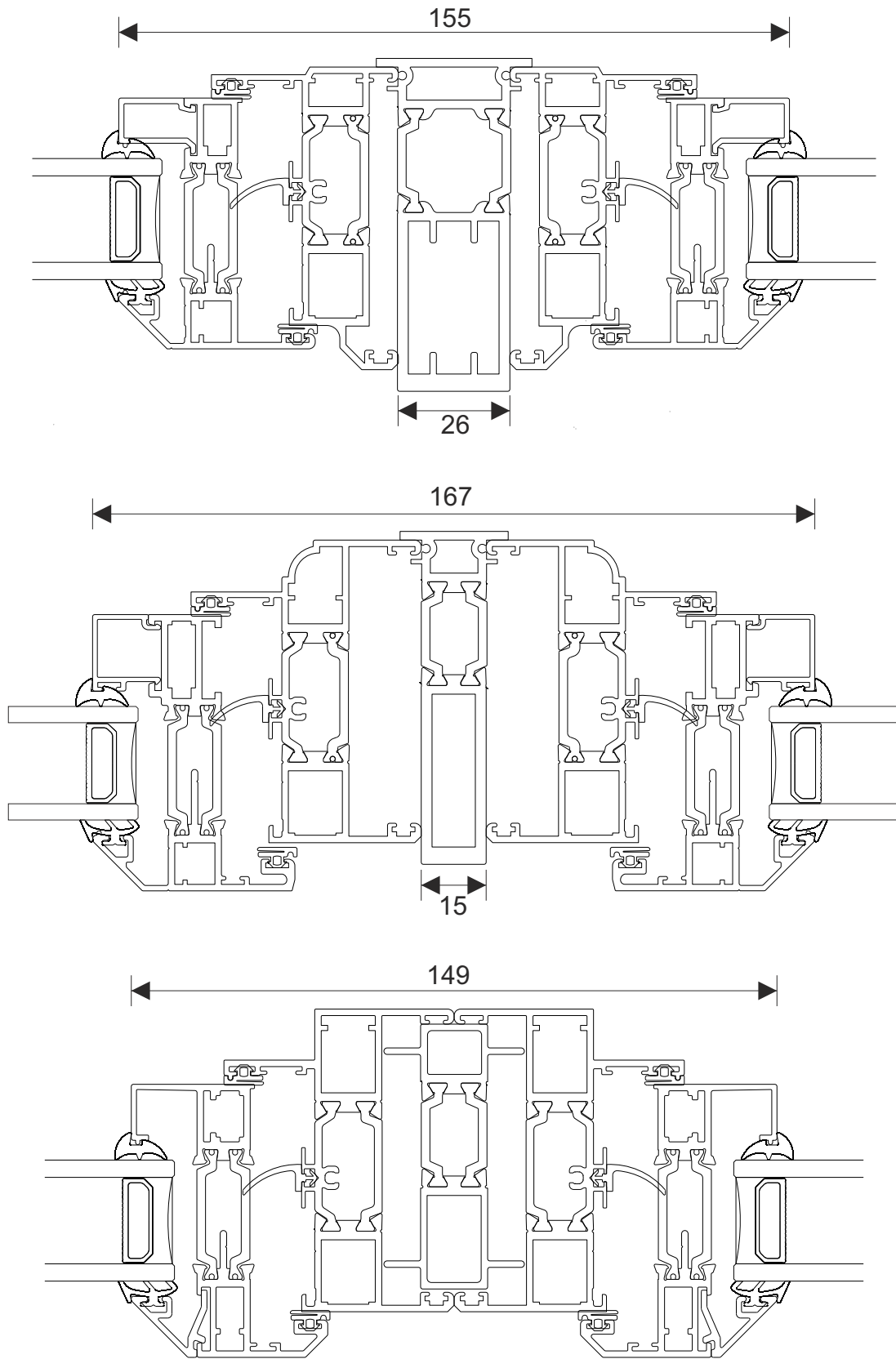
Duration Windows reserves the right to make changes to the product specification as technical developments dictate, and without prior notice. Pictures shown are for illustrative purposes and are not binding in detail, colour or specification.

# Coupling



DURATION  
WINDOWS

## Coupling 70mm Outer Frames














































These are just some of the coupling combination. Please ask for more details.

Duration Windows reserves the right to make changes to the product specification as technical developments dictate, and without prior notice. Pictures shown are for illustrative purposes and are not binding in detail, colour or specification.



## WER's Chart

WER's based on using 90% Argon Gas, 4mm Diamant, 4mm Planitherm Total +  
 \*AW675 can be A rated using Triple Glazed Units

		Opening Vent				
		AW614 	AW685 	AW686 	AW690 	AW675 
Frame	AW600 					
	AW601 					TBA
	AW602 					TBA
	AW603 					
	AW604 					
	AW605 					TBA
	AW622 					TBA

Duration Windows reserves the right to make changes to the product specification as technical developments dictate, and without prior notice. Pictures shown are for illustrative purposes and are not binding in detail, colour or specification.