



DURATION WINDOWS

Durations 'VS Plus' Technical Manual



System Specifications	3
Profile Identification	
• Head	4
• Flush Cill	5
• Projection Cill	6
• Standard Jamb	7
• Slim Jamb	8
• Top Sash	9 - 10
• Sash Interlocks	11
• Sash Interlock Caps	12
• Bottom Sash	13-14
• Glazing Beads & Extras	15
Section Identification	
• Bottom Section	16 - 19
• Interlock	20 - 21
• Head Section	22
• Jambs	23 - 26
• Coupling	27

Specification



**DURATION
WINDOWS**

Introduction

The "VS Plus" vertical sliding window system described in this manual is suitable for domestic or commercial applications as replacement windows for existing buildings, and for installation into new buildings.

The system incorporates the traditional styling of wooden box sash windows with the advantages of a modern thermally broken aluminium profile. The system features concealed drainage, internally beaded sashes and a tilt-in facility for cleaning the external glass from inside the building. The low line gaskets and extended polyamide thermal breaks help to provide excellent U Values and is capable of achieving an 'B' Window Energy Rating when used in conjunction with the correct sections and double glazed unit.

System Specifications

Sections

The frames are constructed of aluminium alloy extrusion to BS EN 755-9 and BS EN 12020, extruded from 6063 T6 alloy. The internal and external extrusions are separated with a polyamide thermal break.

Finish

The external aluminium alloy extrusion is pre-treated and finished either;
 a) Anodised to BS 3987: 1987, grade AA25 to a natural self colour.
 b) Polyester powder organic coating to BS 6496.

Please Note: Dual colour is not available for the VS Plus.

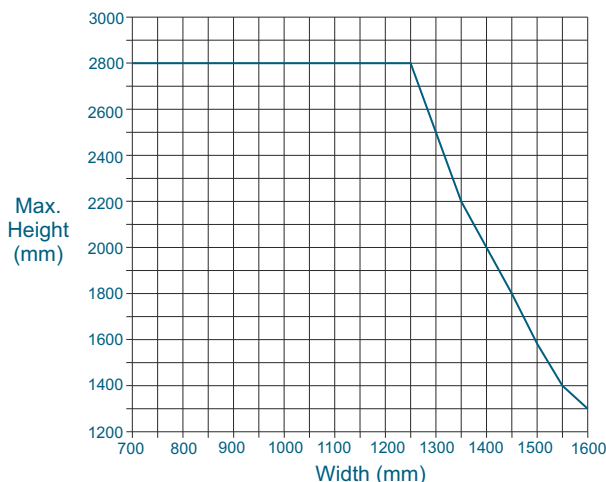
Glazing

Glass is internally glazed and secured in position using a high security wedge gasket. Glazing can be 24mm or 28mm by selecting the relevant bead and gasket.

Locking

High Security key locking fitch catch.

Recommended Size Limitations



Max. Width: 1600mm (See Table & Graph)
 Min. Width: N/A
 Max. Height: 2800mm (based on equal split)
 Min. Height: 725mm (based on equal split)
 Max. Weight: 50 kg (Per Sash)

Max. Width (mm)	1300	1350	1400	1450	1500	1550	1600
Max. Height (mm)	2500	2200	2000	1800	1600	1400	1300

Window Weather Performance

Weather performance inline with BS6375-1 is as follows:

Air Permeability (BS EN 1026): TBA
 Water tightness (BS EN 1027): TBA
 Resistance to Wind Load (BS EN 12211): TBA
 Thermal Performance (U-value): 1.7 W/m²k

U-values calculated using a double glazed sealed unit 90% argon gas filled with a warm edge spacerbar and a centre pane U-value of 1.2 W/M²K. Weather ratings are to be confirmed by testing carried out by Smarts Systems.

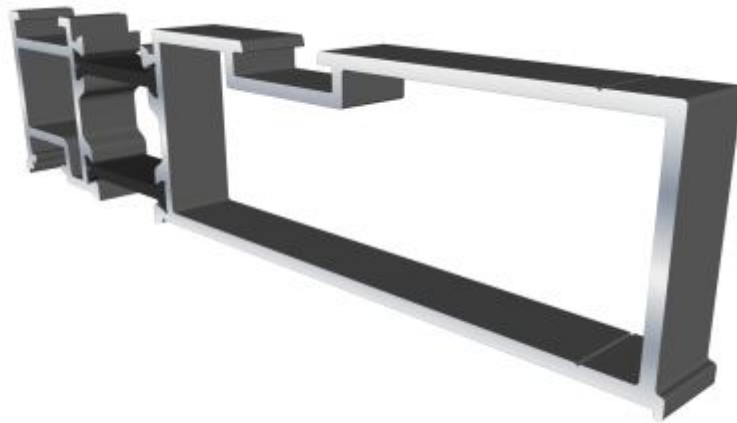
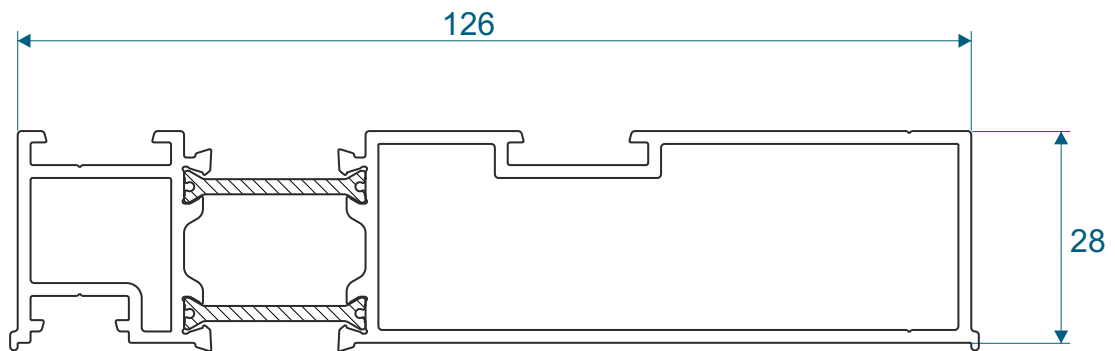
Duration Windows reserves the right to make changes to the product specification as technical developments dictate, and without prior notice. Pictures shown are for illustrative purposes and are not binding in detail, colour or specification.

Outerframe



DURATION
WINDOWS

Head VS011



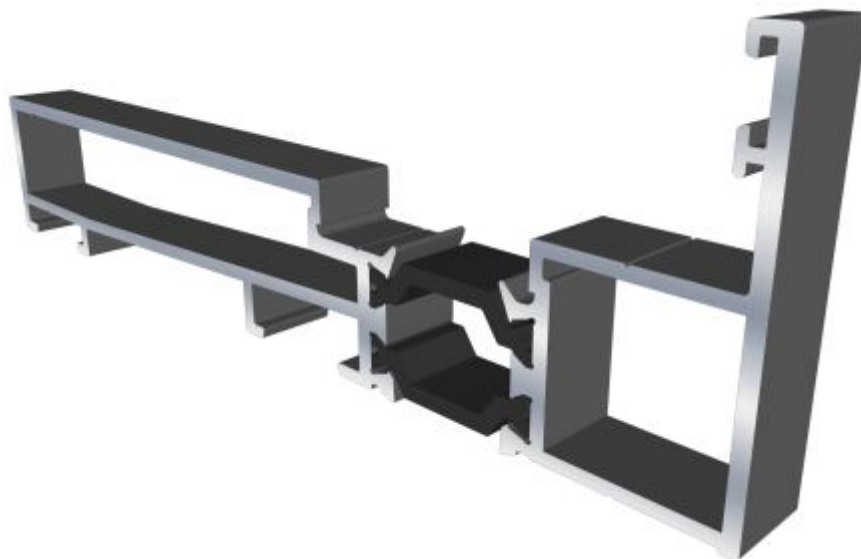
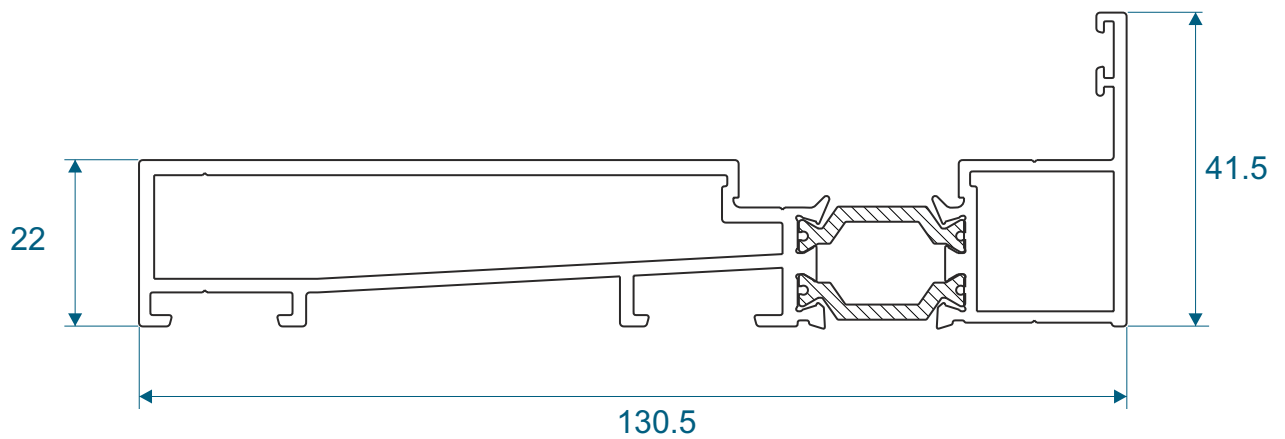
Duration Windows reserves the right to make changes to the product specification as technical developments dictate, and without prior notice. Pictures shown are for illustrative purposes and are not binding in detail, colour or specification.

Outerframe



DURATION
WINDOWS

Flush Cill VS010



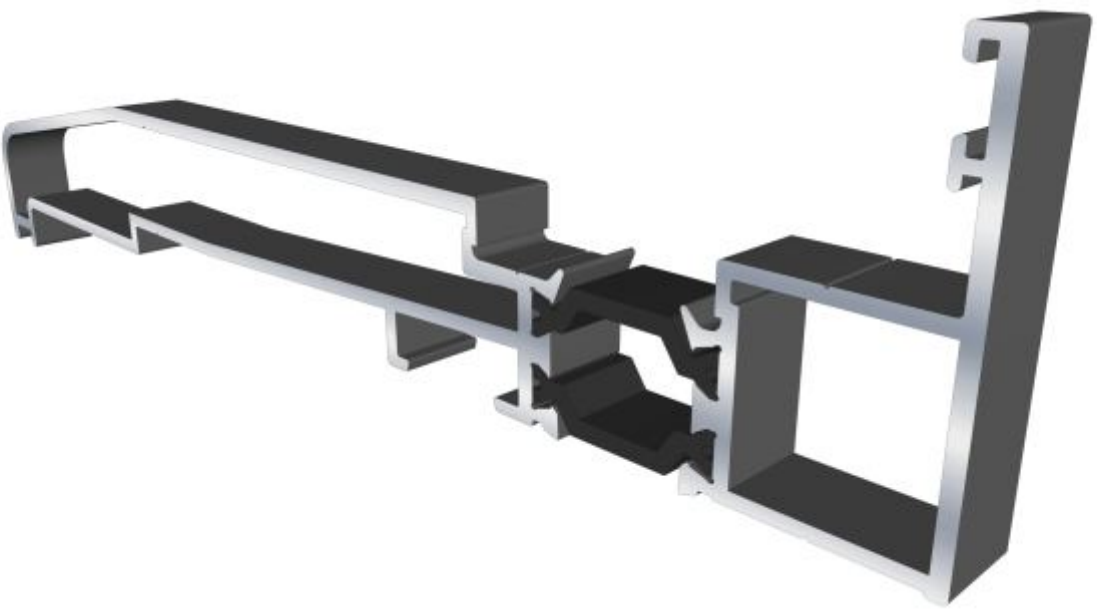
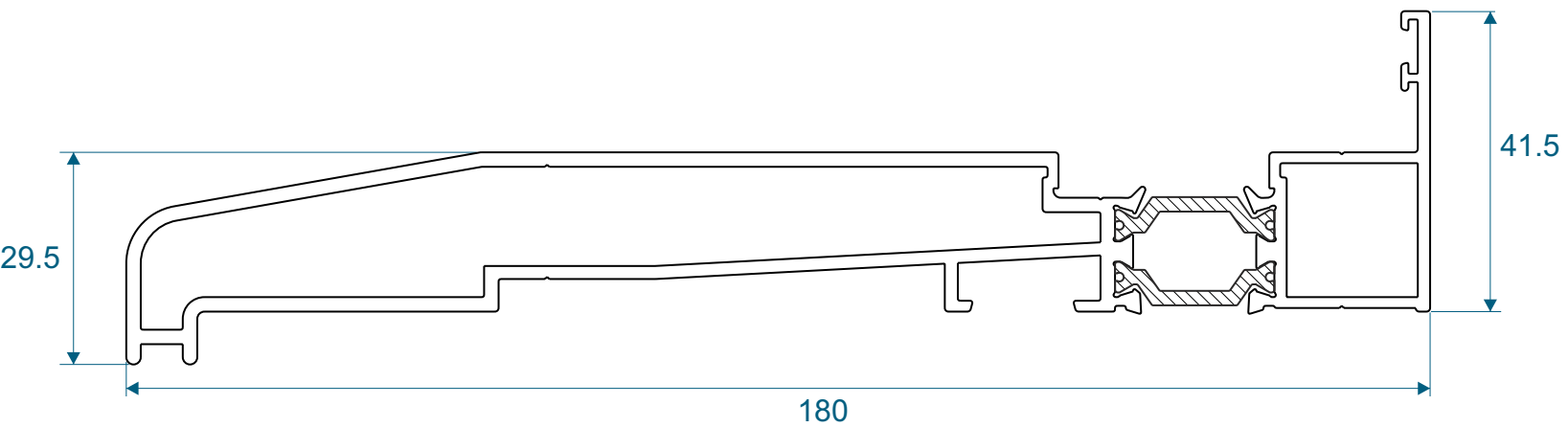
Duration Windows reserves the right to make changes to the product specification as technical developments dictate, and without prior notice. Pictures shown are for illustrative purposes and are not binding in detail, colour or specification.



DURATION
WINDOWS

Outerframe

180mm Projection Cill



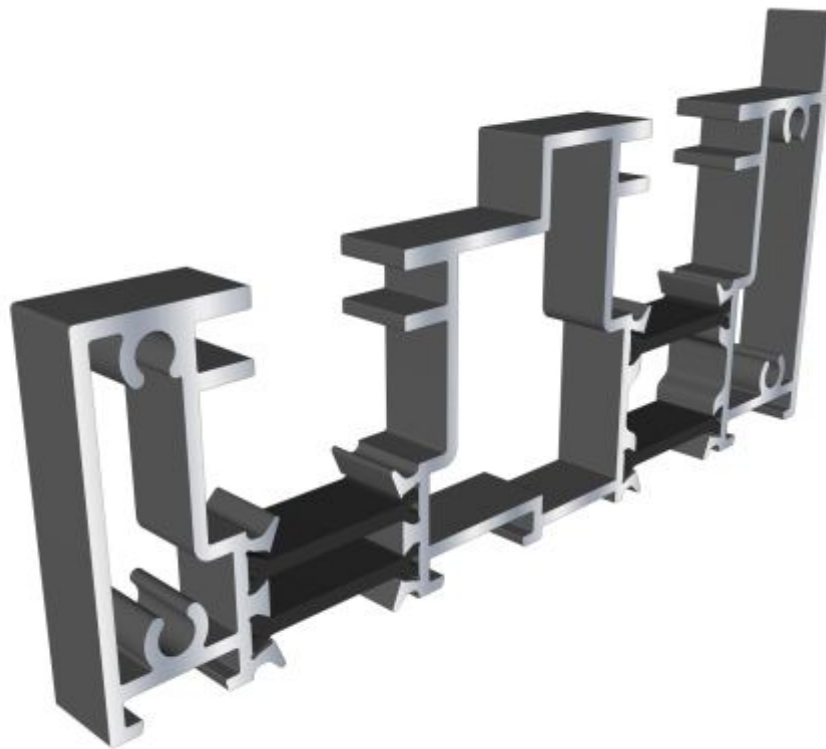
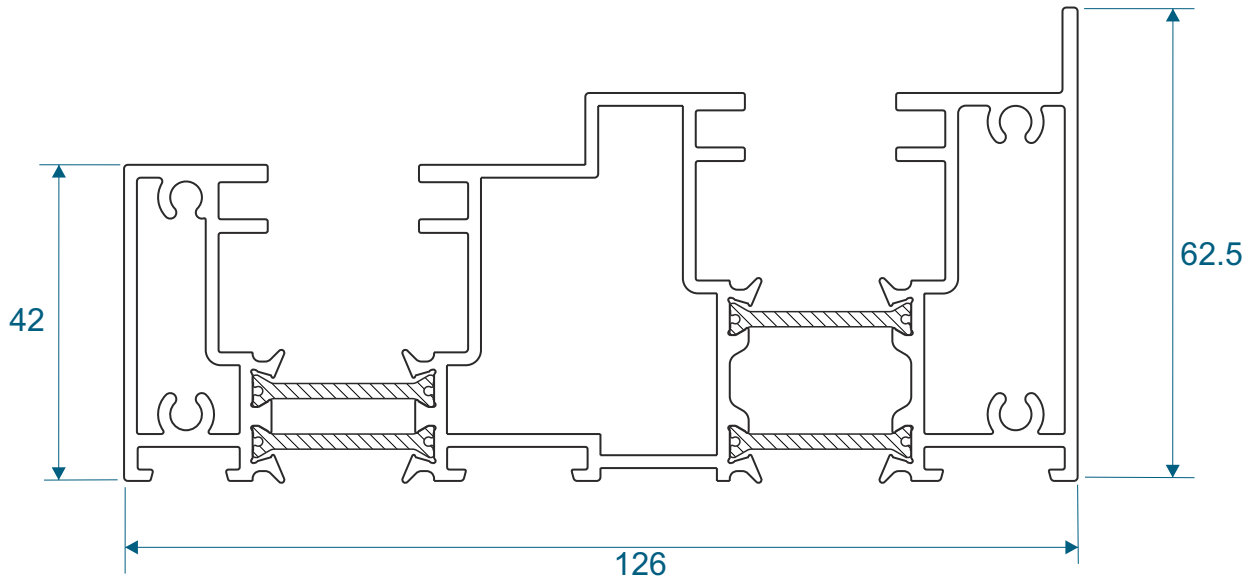
Duration Windows reserves the right to make changes to the product specification as technical developments dictate, and without prior notice. Pictures shown are for illustrative purposes and are not binding in detail, colour or specification.

Outerframe



DURATION
WINDOWS

Std Jamb VS012



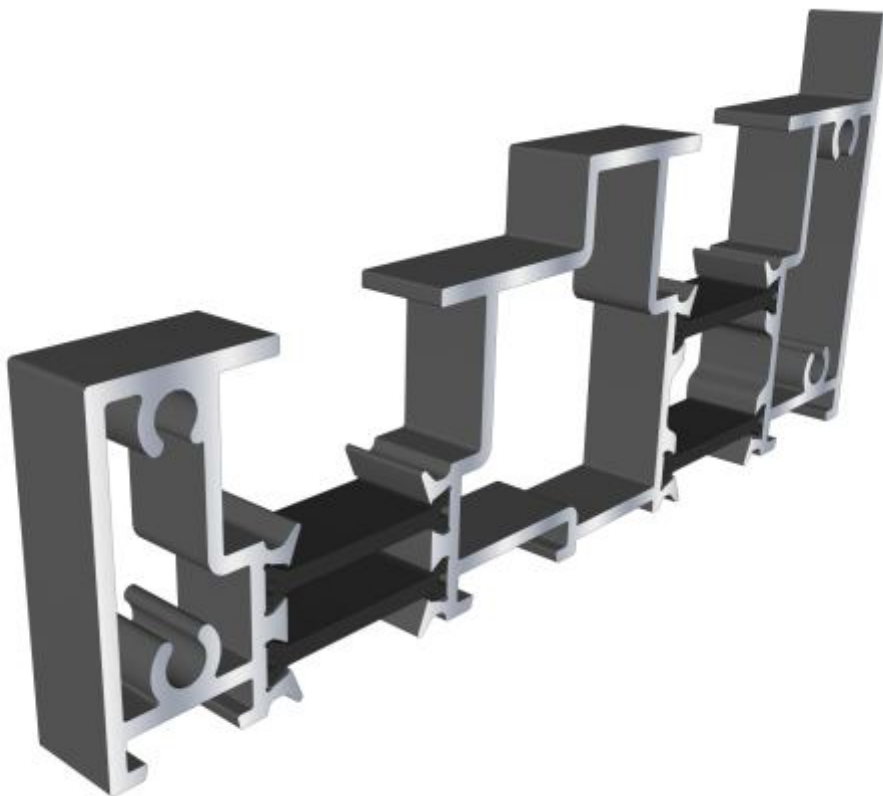
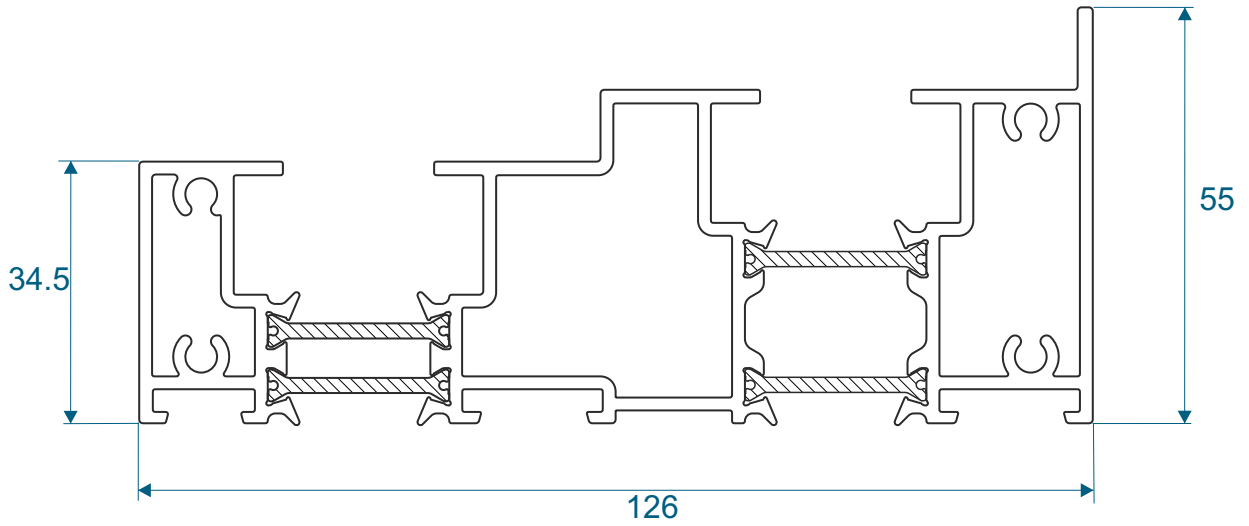
Duration Windows reserves the right to make changes to the product specification as technical developments dictate, and without prior notice. Pictures shown are for illustrative purposes and are not binding in detail, colour or specification.

Outerframe



DURATION
WINDOWS

Slim Jamb VS112



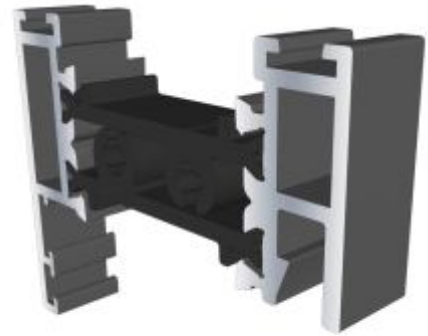
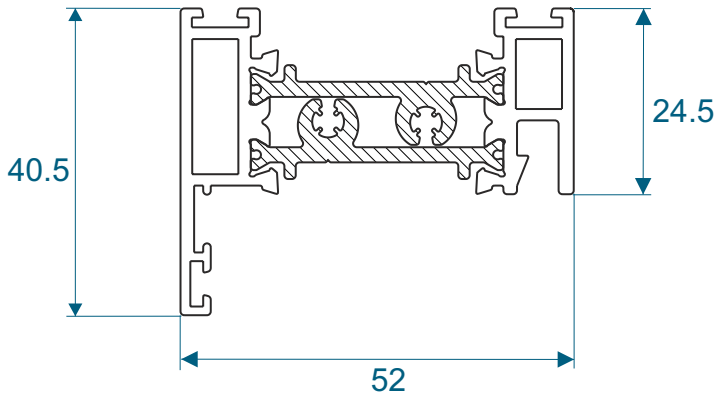
Duration Windows reserves the right to make changes to the product specification as technical developments dictate, and without prior notice. Pictures shown are for illustrative purposes and are not binding in detail, colour or specification.

Top Sash

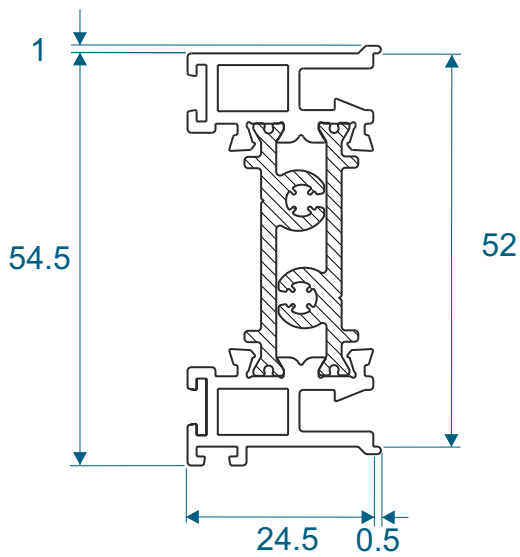


DURATION
WINDOWS

Top Rail VS020



Striped Vertical Member VS024



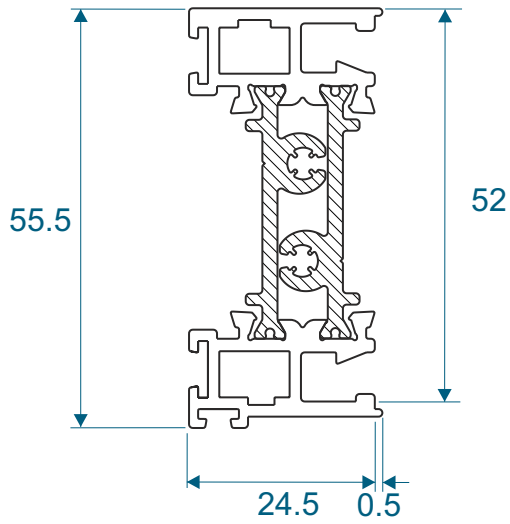
Duration Windows reserves the right to make changes to the product specification as technical developments dictate, and without prior notice. Pictures shown are for illustrative purposes and are not binding in detail, colour or specification.

Top Sash



DURATION
WINDOWS

Flat Vertical Member VS124



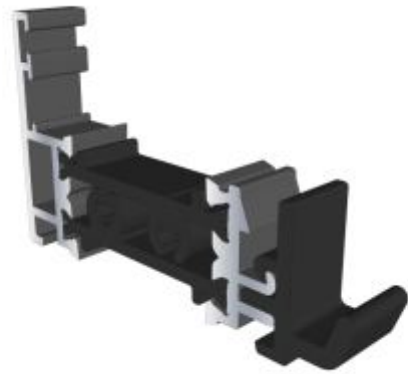
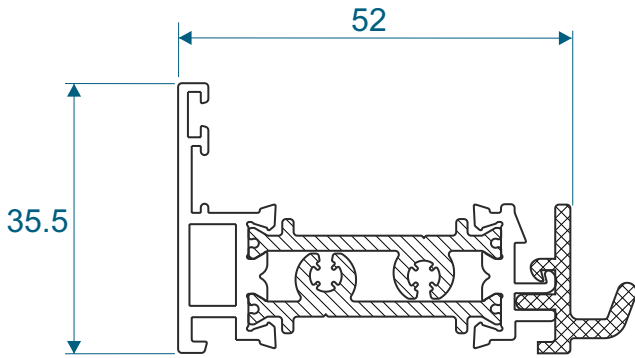
Duration Windows reserves the right to make changes to the product specification as technical developments dictate, and without prior notice. Pictures shown are for illustrative purposes and are not binding in detail, colour or specification.

Sash Interlocks

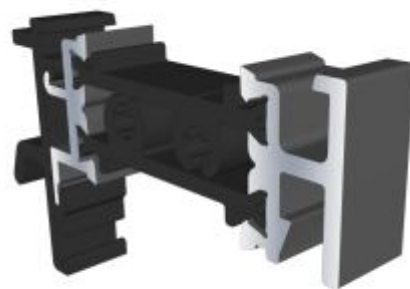
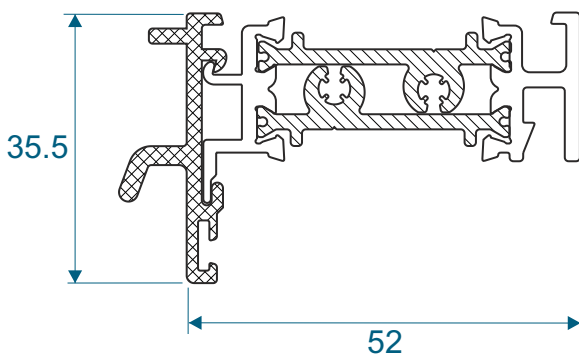


DURATION
WINDOWS

Bottom Rail Of Top Sash VS021



Top Rail Of Bottom Sash VS022



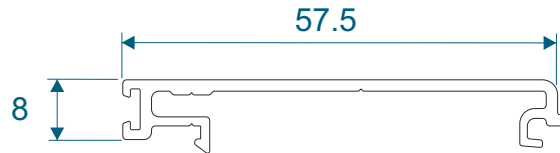
Duration Windows reserves the right to make changes to the product specification as technical developments dictate, and without prior notice. Pictures shown are for illustrative purposes and are not binding in detail, colour or specification.

Sash Interlock Caps

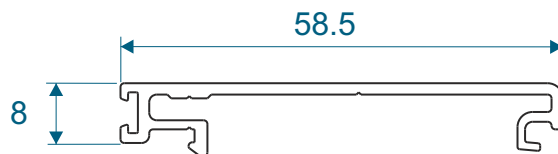


DURATION
WINDOWS

Striped Interlock Cap VS030



Flat Interlock Cap VS130

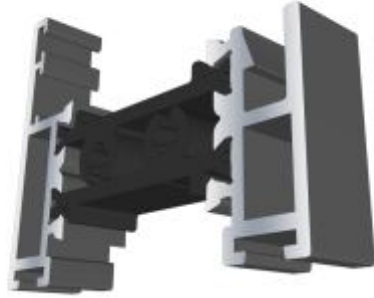
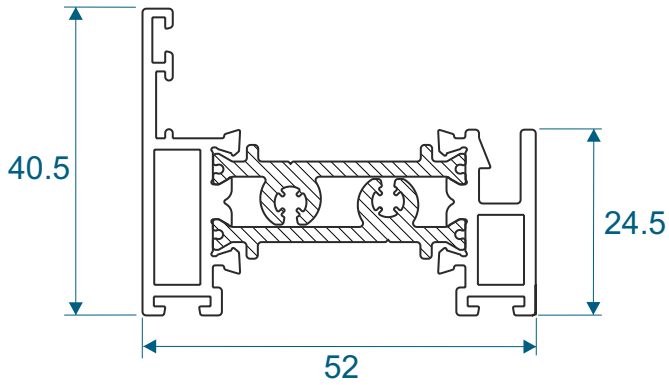


Duration Windows reserves the right to make changes to the product specification as technical developments dictate, and without prior notice. Pictures shown are for illustrative purposes and are not binding in detail, colour or specification.

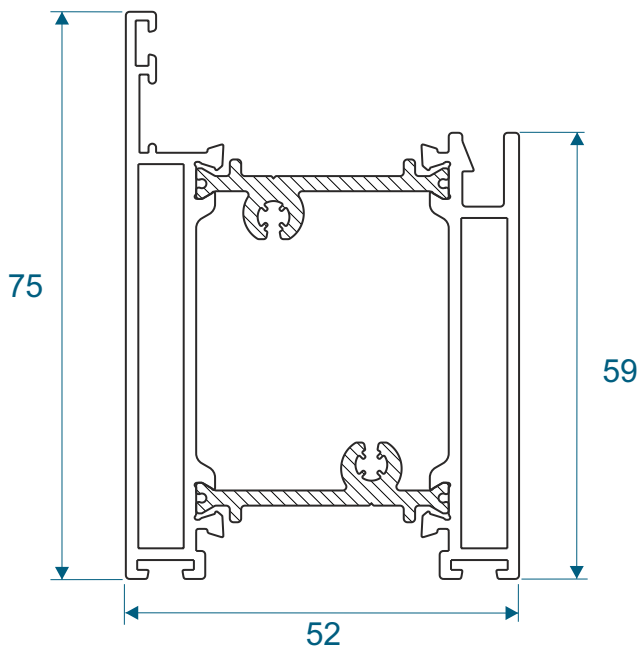


Bottom Sash

Bottom Rail VS020



Deep Bottom Rail VS025



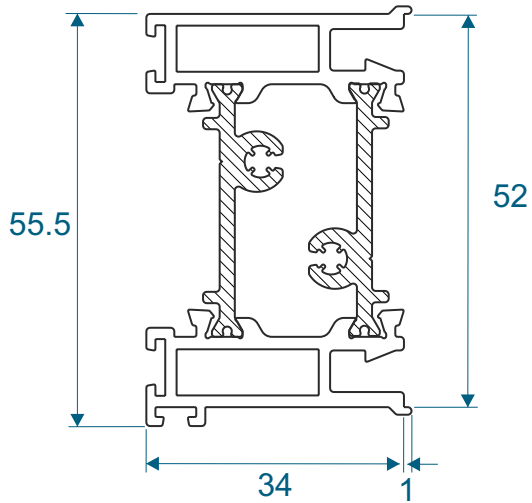
Duration Windows reserves the right to make changes to the product specification as technical developments dictate, and without prior notice. Pictures shown are for illustrative purposes and are not binding in detail, colour or specification.

Bottom Sash

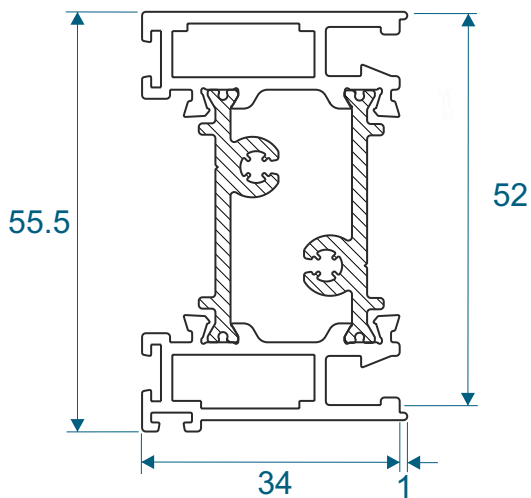


DURATION
WINDOWS

Striped Vertical Member VS023



Flat Vertical Member VS123

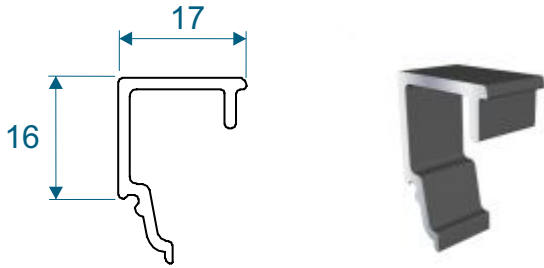


Duration Windows reserves the right to make changes to the product specification as technical developments dictate, and without prior notice. Pictures shown are for illustrative purposes and are not binding in detail, colour or specification.

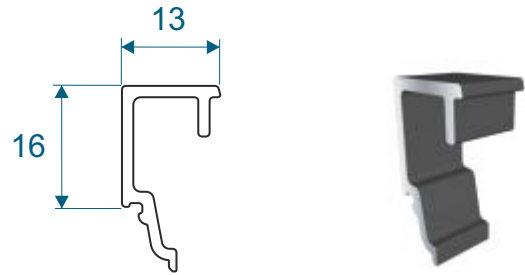


Beads and Extras

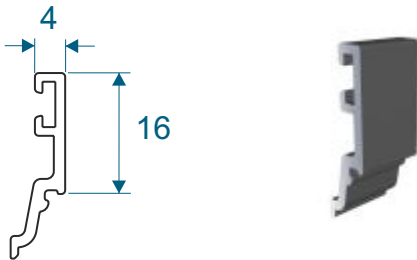
Internal Bead 24mm VS044



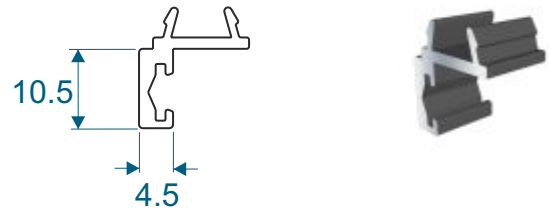
Internal Bead 28mm VS045



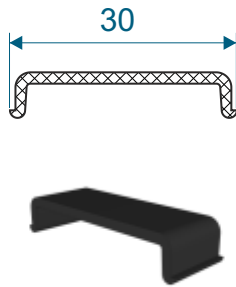
External Bead VS046



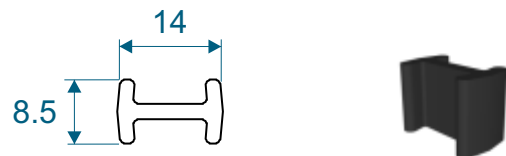
External Woolpile Carrier VS041



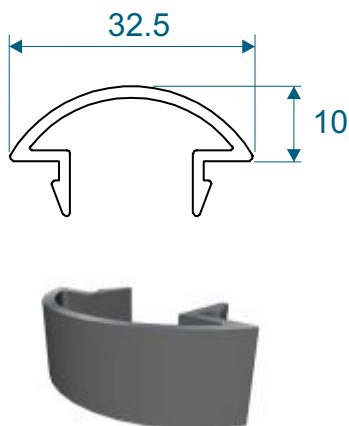
Cill Insert Clip EF422



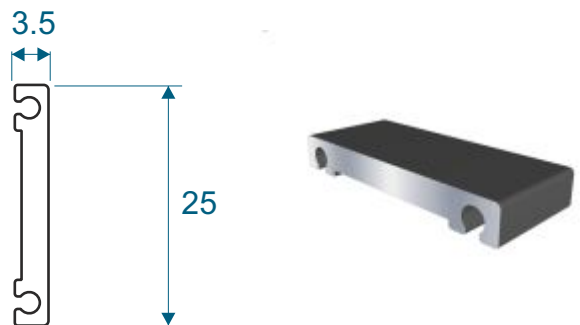
Coupling Clip VL75



Travel Stop VS052



25mm Astragal Bar W20165

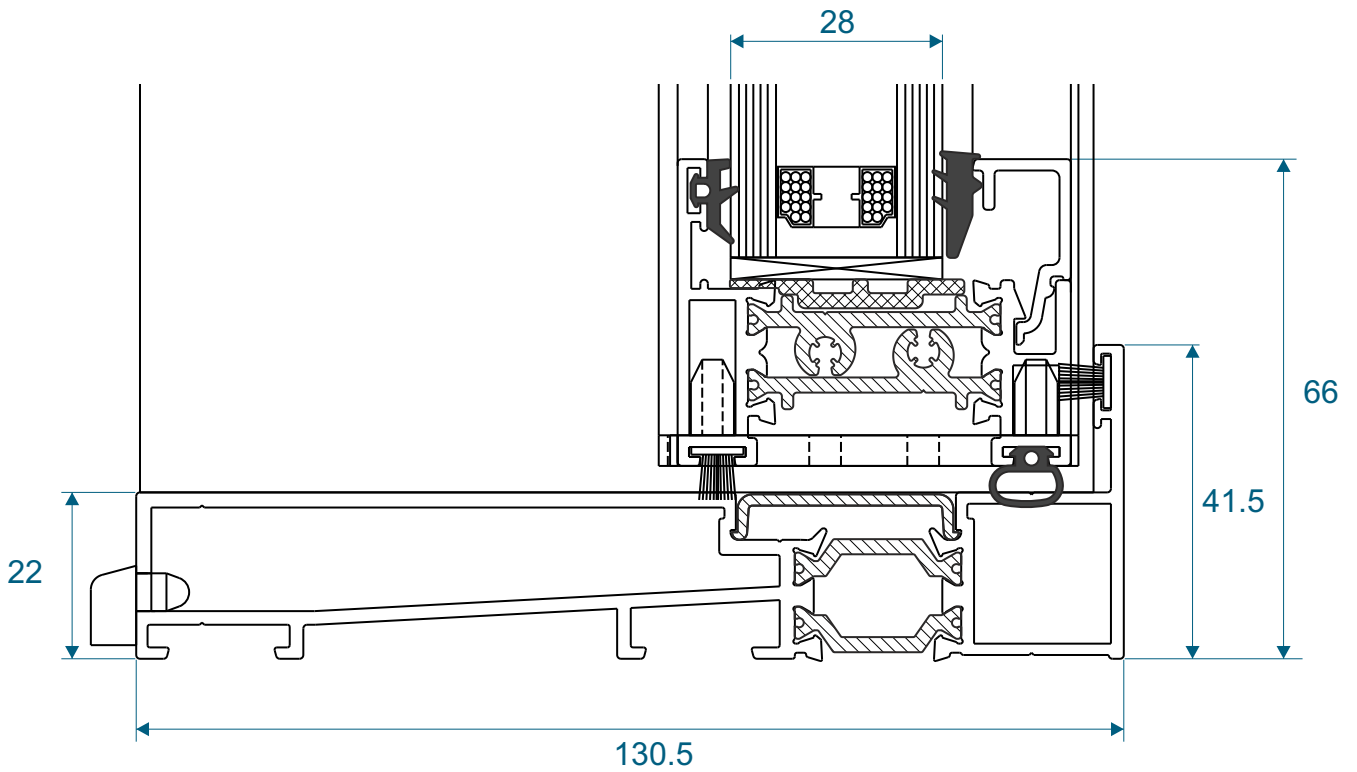
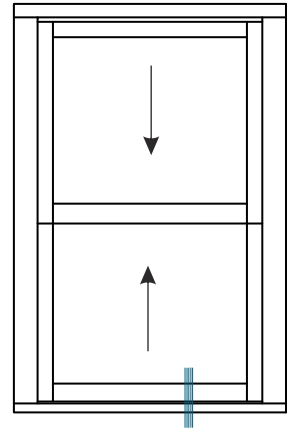


Section Drawing



DURATION
WINDOWS

Bottom Section: Flush Cill With Slim Rail



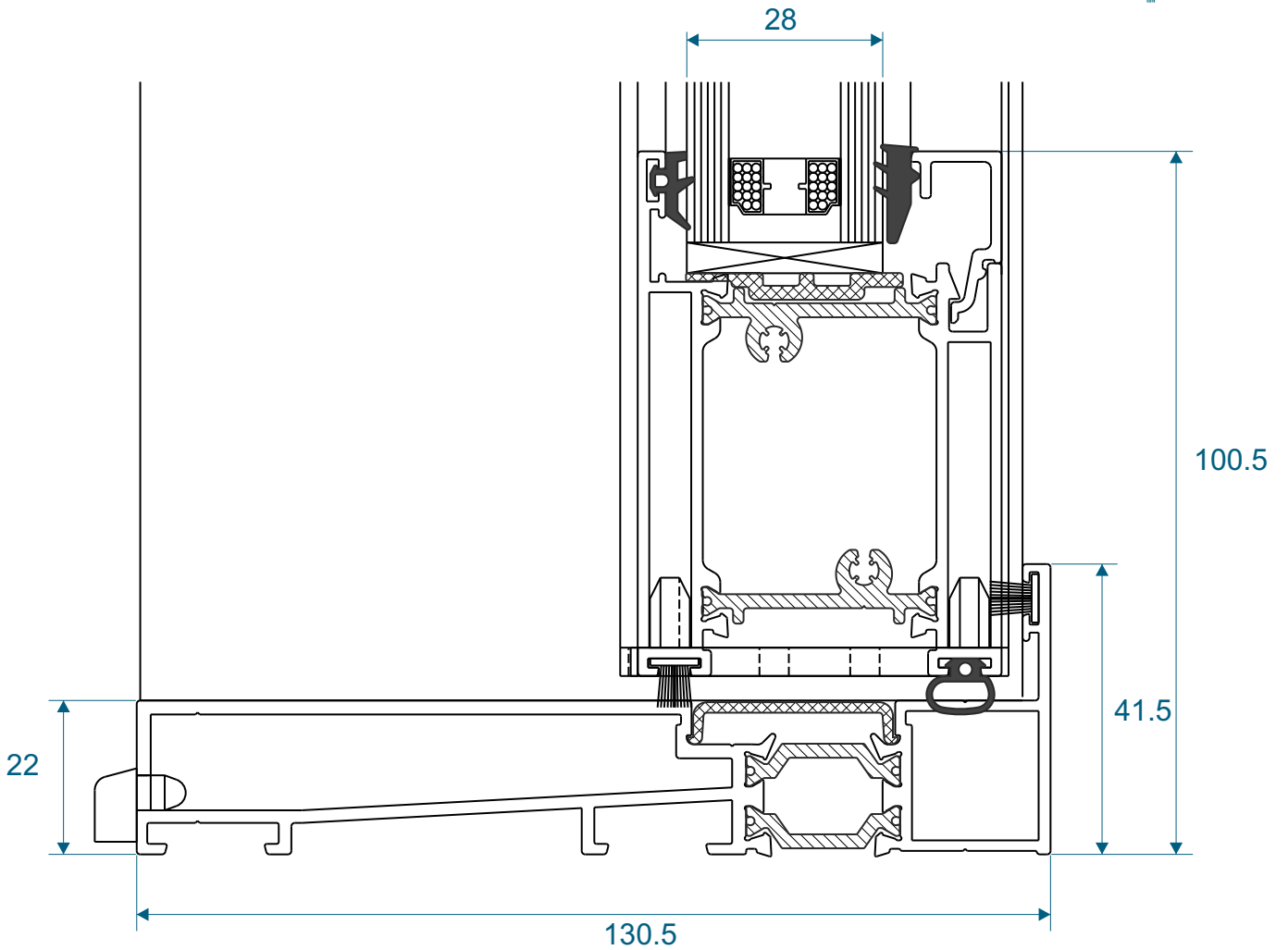
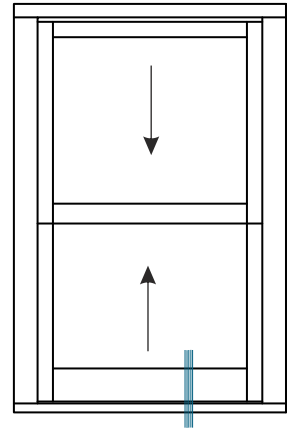
Duration Windows reserves the right to make changes to the product specification as technical developments dictate, and without prior notice. Pictures shown are for illustrative purposes and are not binding in detail, colour or specification.

Section Drawing



DURATION
WINDOWS

Bottom Section: Flush Cill With Deep Rail



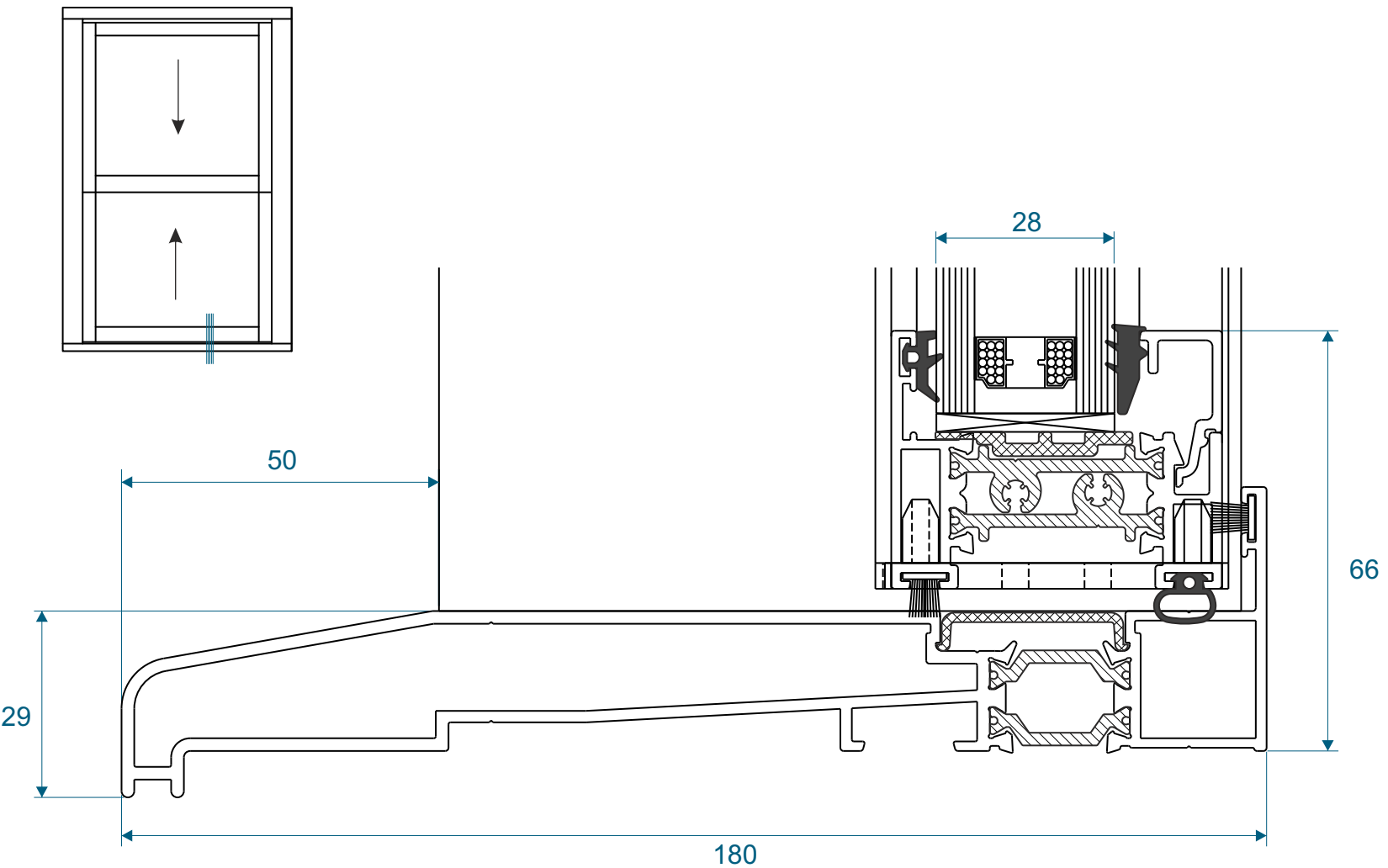
Duration Windows reserves the right to make changes to the product specification as technical developments dictate, and without prior notice. Pictures shown are for illustrative purposes and are not binding in detail, colour or specification.

Section Drawing



DURATION
WINDOWS

Bottom Section: Slim Bottom Rail With Projection Cill



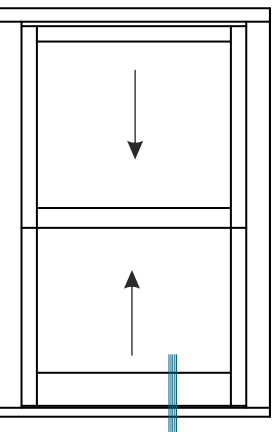
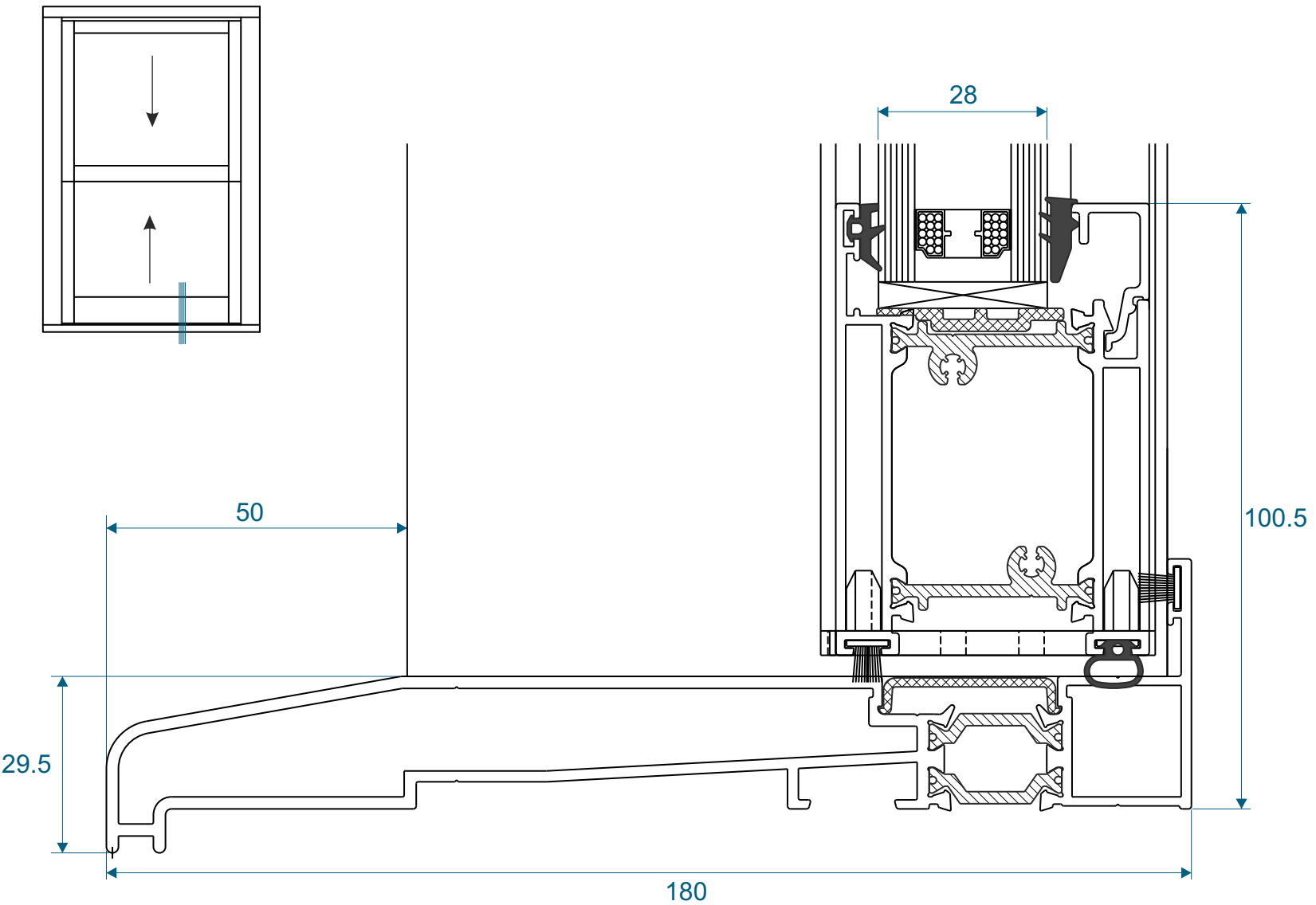
Duration Windows reserves the right to make changes to the product specification as technical developments dictate, and without prior notice. Pictures shown are for illustrative purposes and are not binding in detail, colour or specification.

Section Drawing



DURATION
WINDOWS

Bottom Section: Deep Bottom Rail With Projection Cill



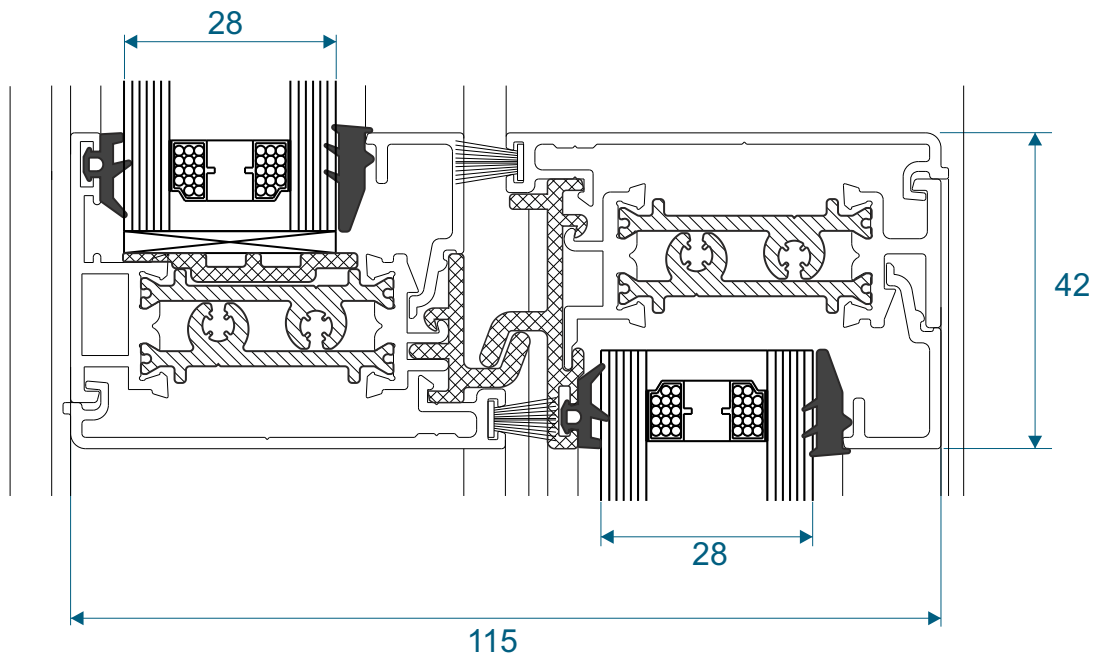
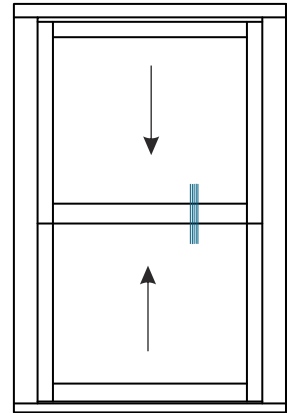
Duration Windows reserves the right to make changes to the product specification as technical developments dictate, and without prior notice. Pictures shown are for illustrative purposes and are not binding in detail, colour or specification.

Section Drawing



DURATION
WINDOWS

Striped Sash Interlock



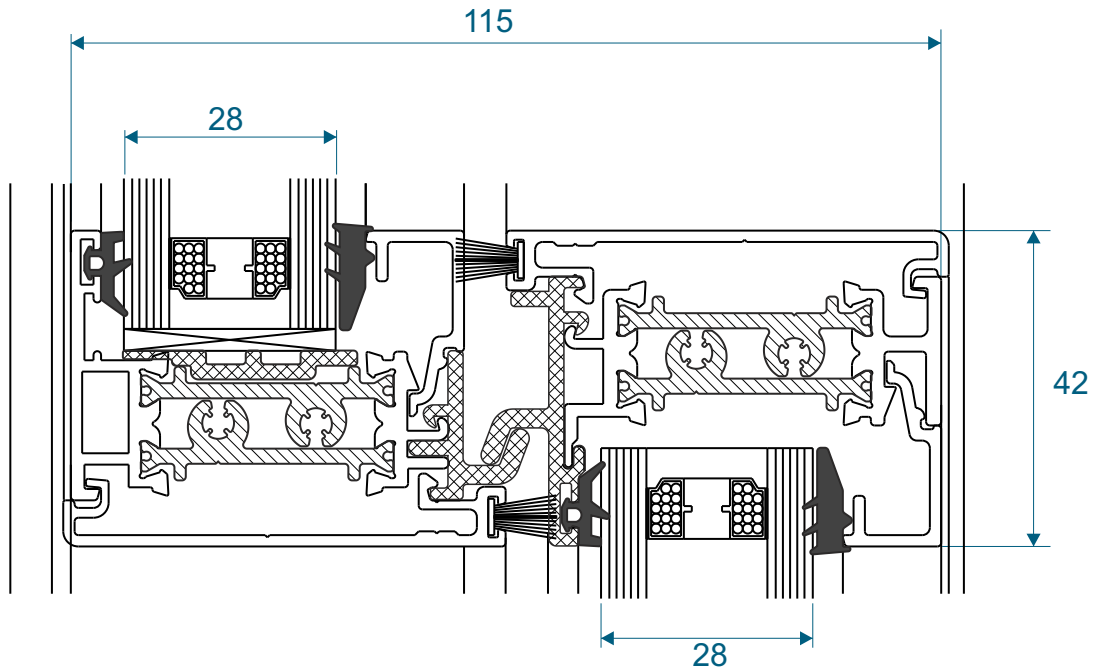
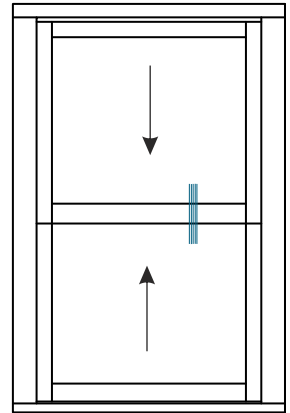
Duration Windows reserves the right to make changes to the product specification as technical developments dictate, and without prior notice. Pictures shown are for illustrative purposes and are not binding in detail, colour or specification.

Section Drawing



DURATION
WINDOWS

Flat Sash Interlock



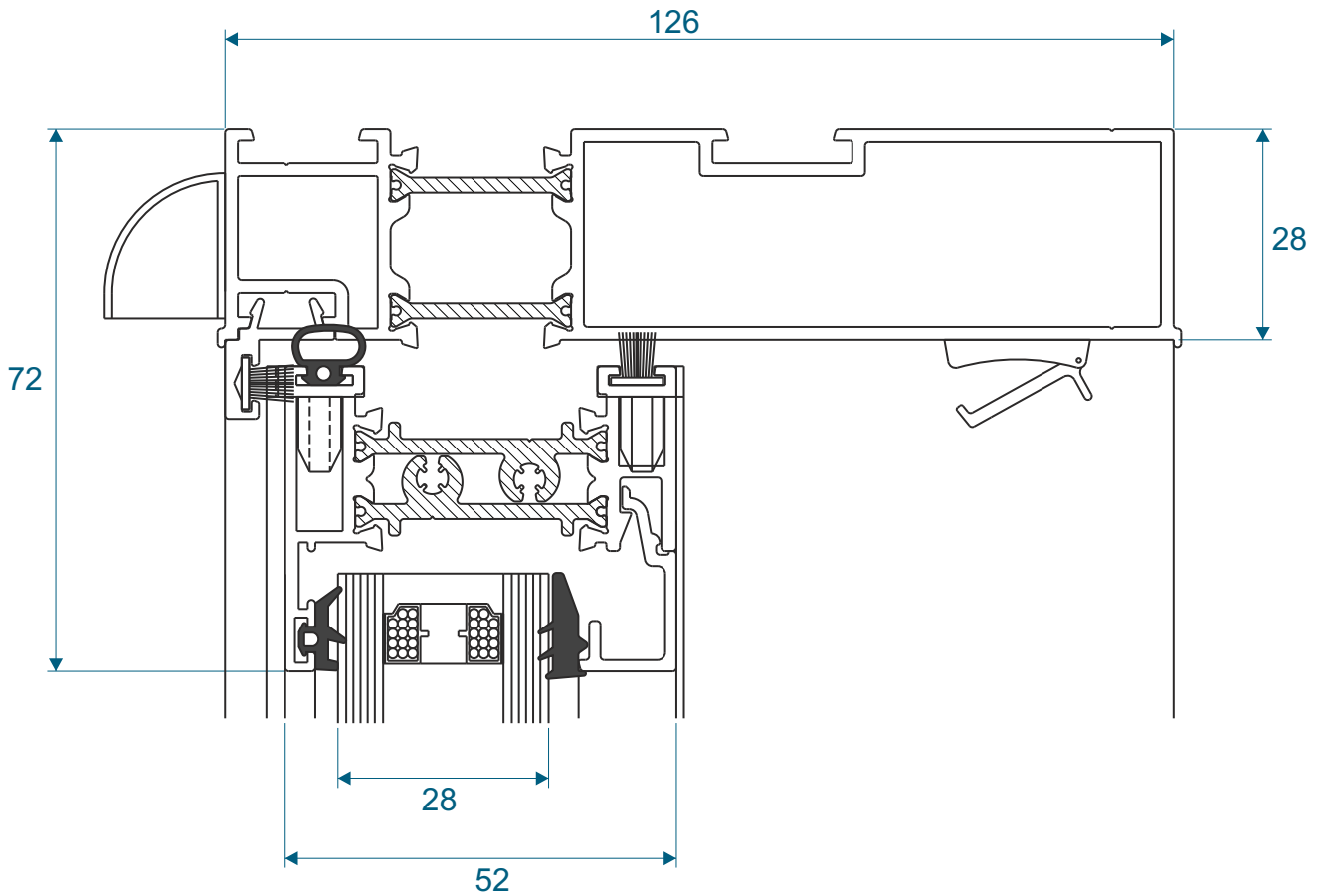
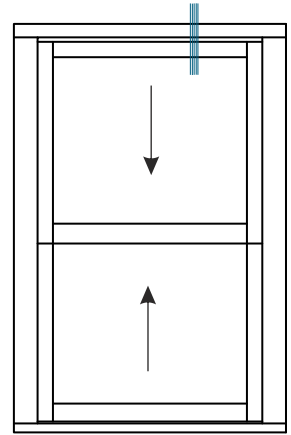
Duration Windows reserves the right to make changes to the product specification as technical developments dictate, and without prior notice. Pictures shown are for illustrative purposes and are not binding in detail, colour or specification.

Section Drawing



DURATION
WINDOWS

Head With Optional Vent



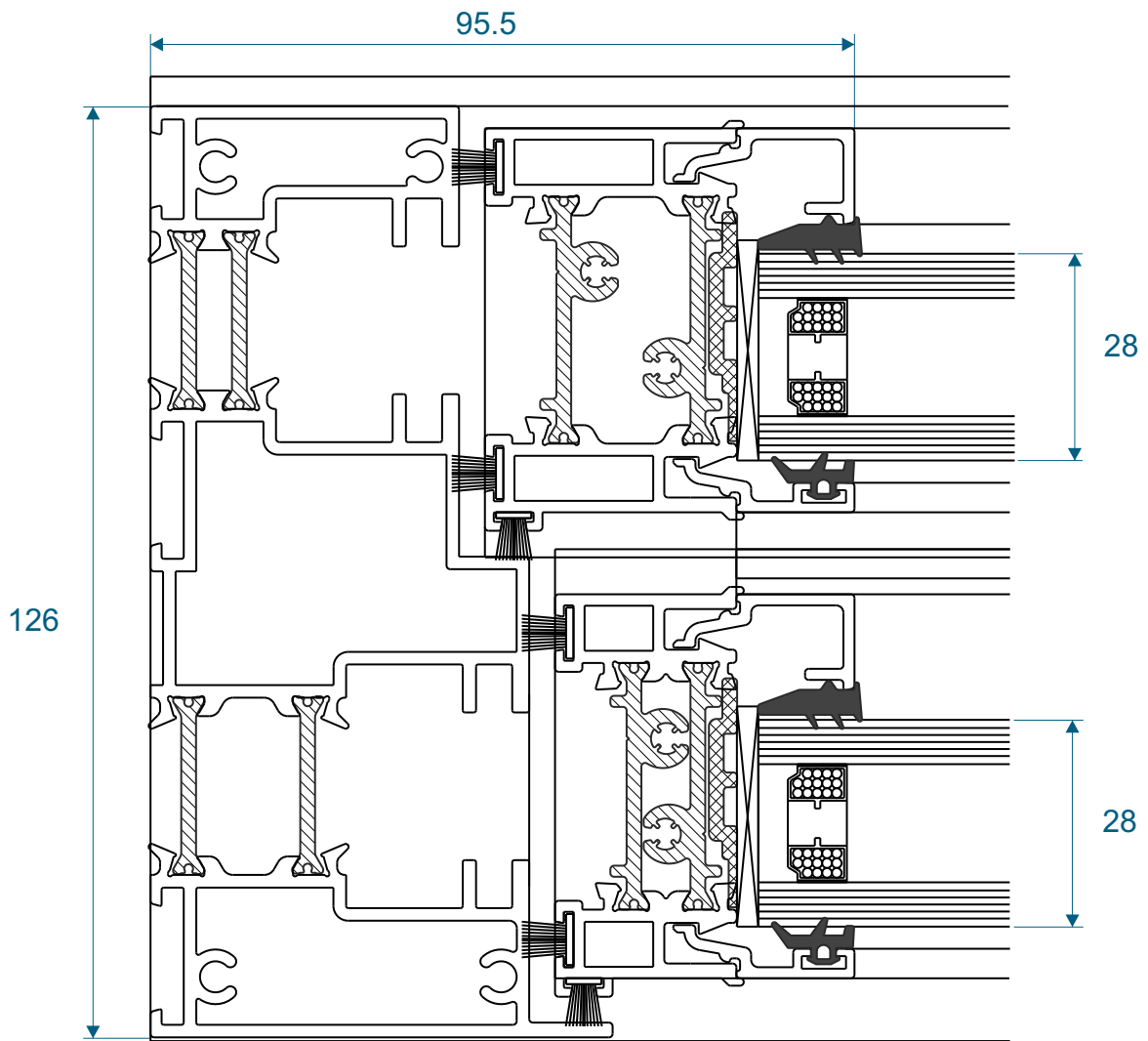
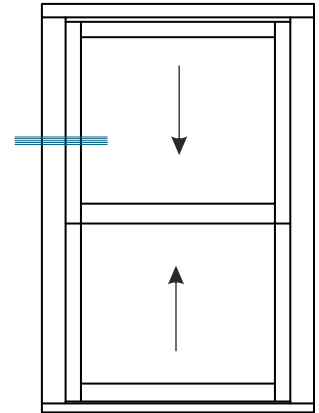
Duration Windows reserves the right to make changes to the product specification as technical developments dictate, and without prior notice. Pictures shown are for illustrative purposes and are not binding in detail, colour or specification.

Section Drawing



DURATION WINDOWS

Standard Striped Jamb



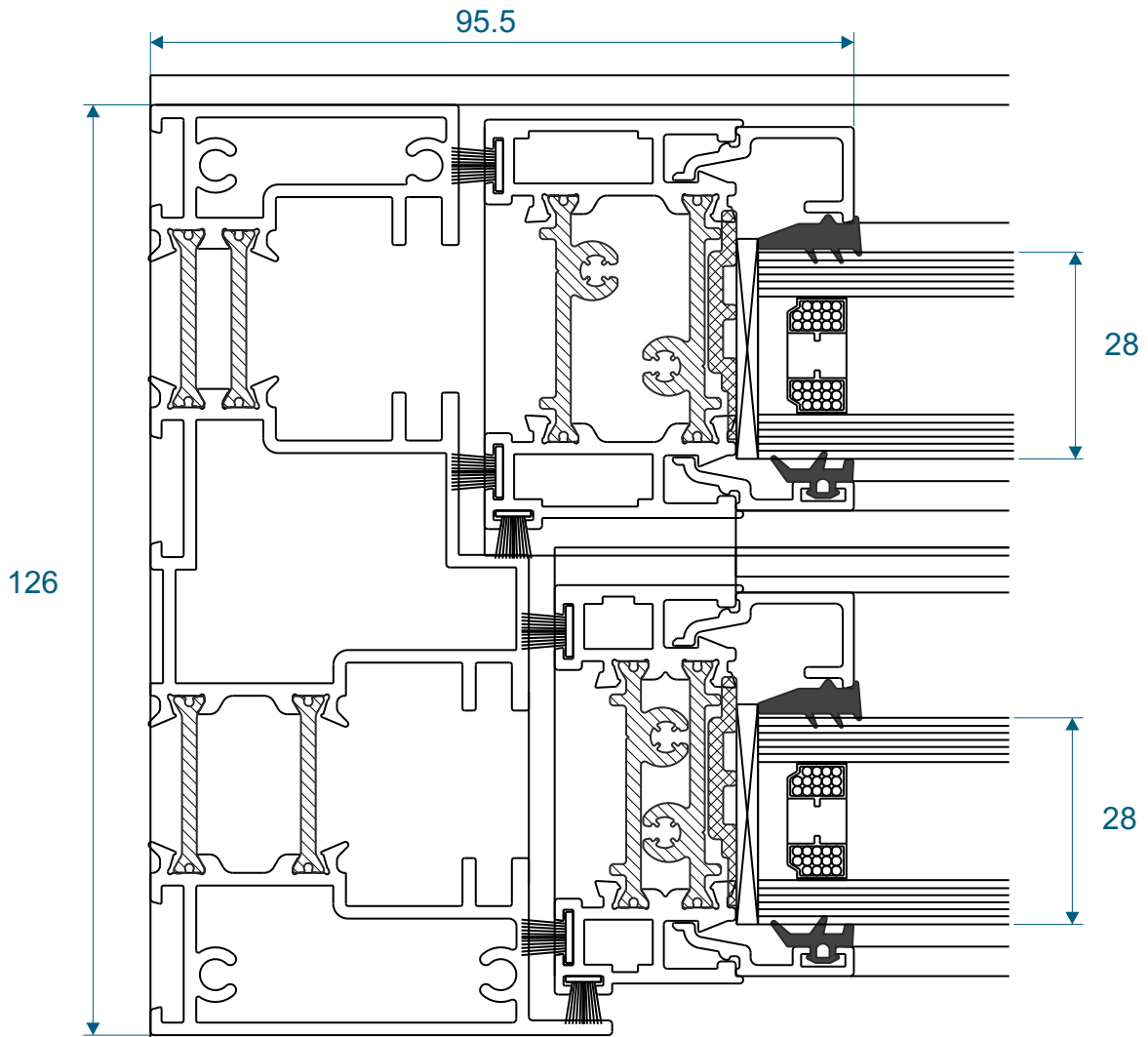
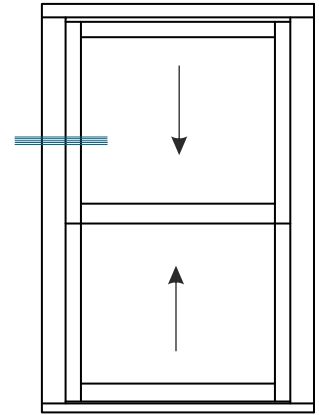
Duration Windows reserves the right to make changes to the product specification as technical developments dictate, and without prior notice. Pictures shown are for illustrative purposes and are not binding in detail, colour or specification.

Section Drawing



DURATION
WINDOWS

Standard Flat Jamb



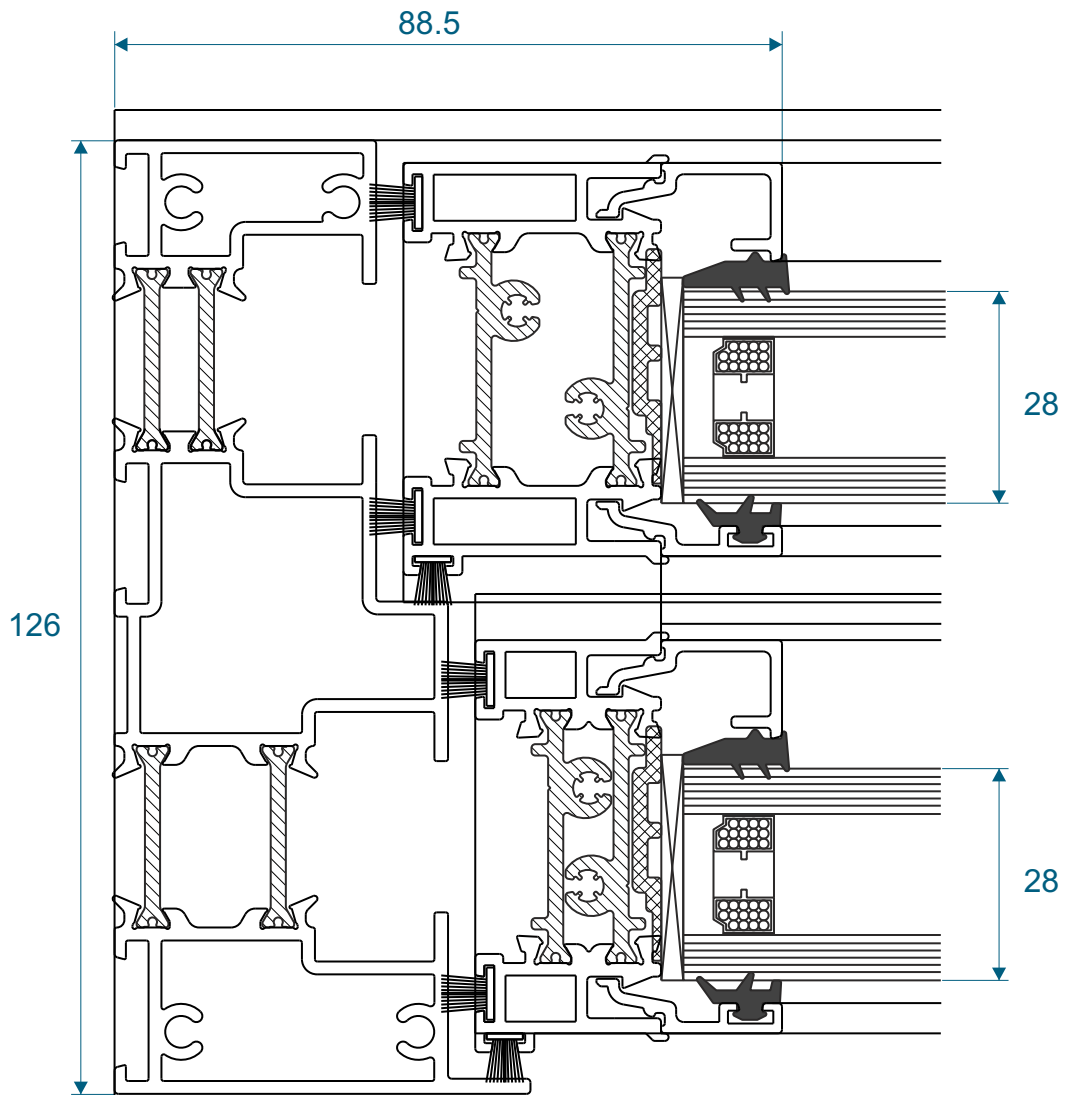
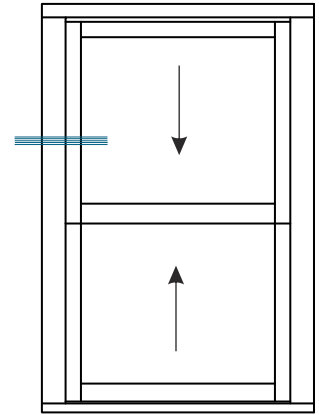
Duration Windows reserves the right to make changes to the product specification as technical developments dictate, and without prior notice. Pictures shown are for illustrative purposes and are not binding in detail, colour or specification.

Section Drawing



DURATION WINDOWS

Slim Striped Jamb



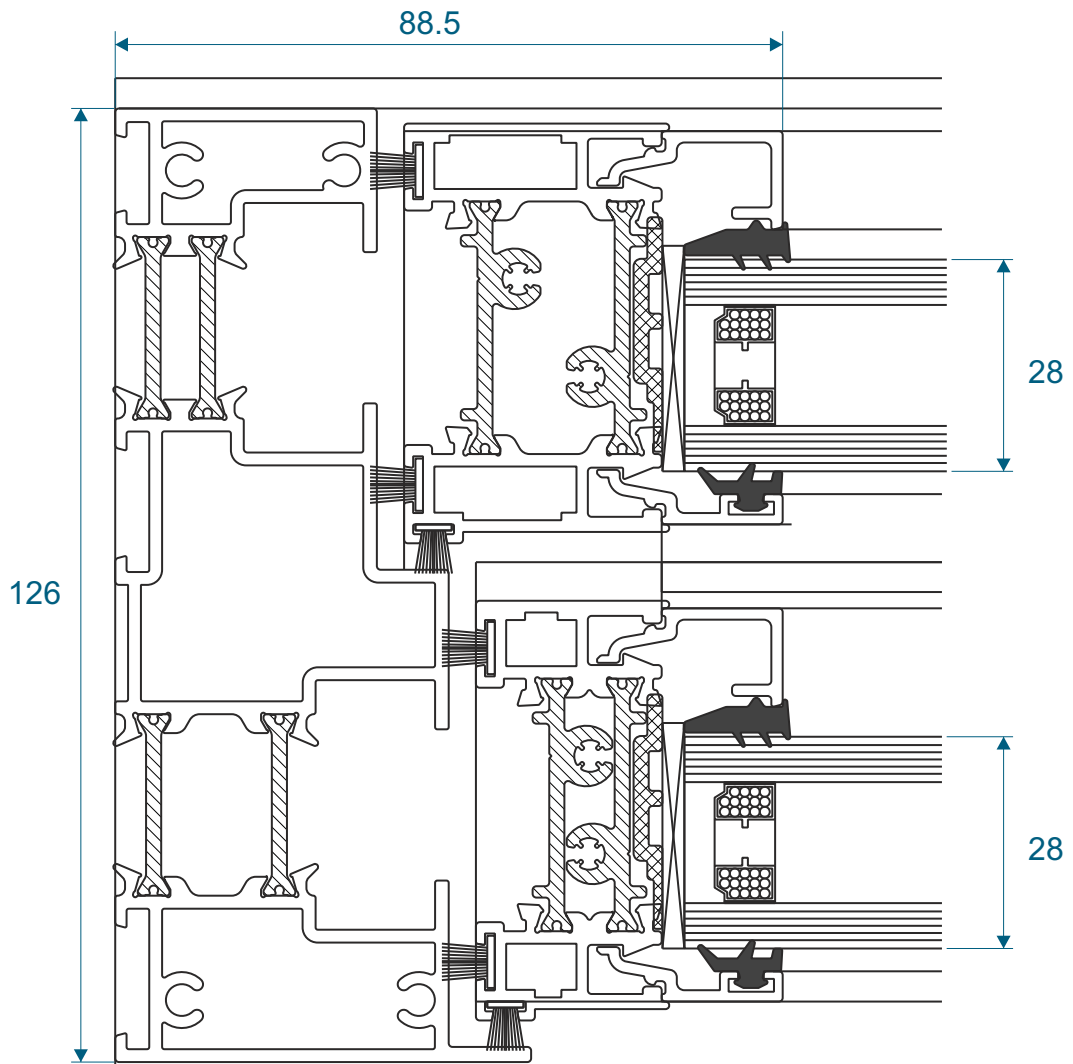
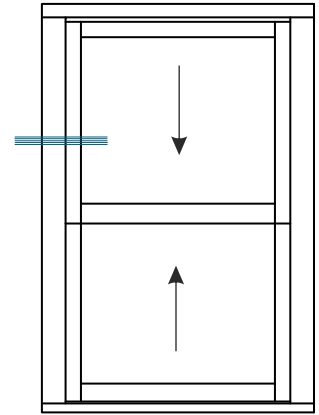
Duration Windows reserves the right to make changes to the product specification as technical developments dictate, and without prior notice. Pictures shown are for illustrative purposes and are not binding in detail, colour or specification.

Section Drawing



DURATION WINDOWS

Slim Flat Jamb



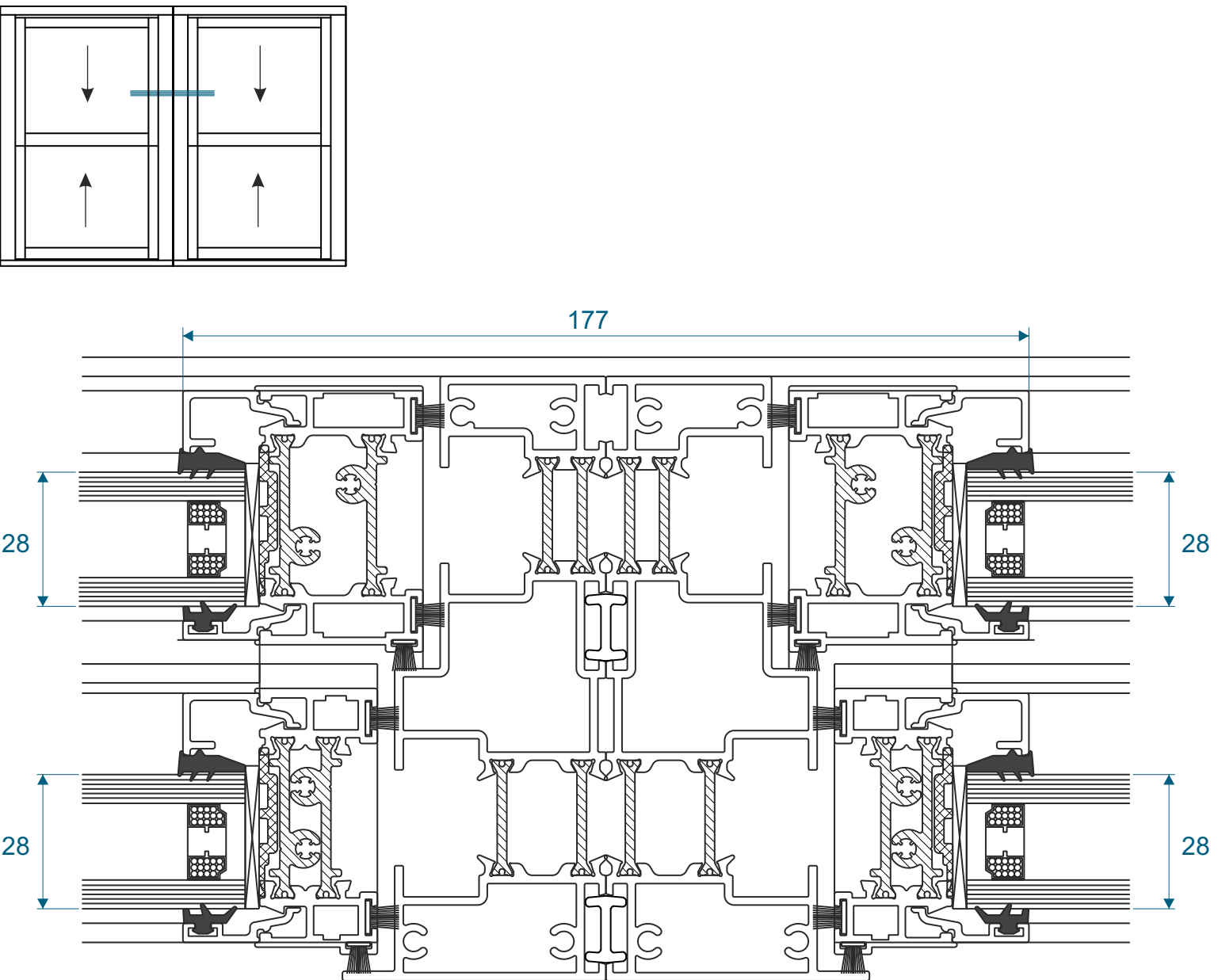
Duration Windows reserves the right to make changes to the product specification as technical developments dictate, and without prior notice. Pictures shown are for illustrative purposes and are not binding in detail, colour or specification.

Section Drawing



DURATION
WINDOWS

No-Show Coupling



Duration Windows reserves the right to make changes to the product specification as technical developments dictate, and without prior notice. Pictures shown are for illustrative purposes and are not binding in detail, colour or specification.