



**DURATION WINDOWS**

---

**Duraslide 2000**  
**Aluminium Horizontal Sliding Windows**

**Section Identification**

# Contents



**DURATION  
WINDOWS**

## Sections: Pages 3 - 12

• Specifications	Page 3
• Outer Frames	Page 4
• Sliding Panels	Page 5
• Locking Stile	Page 5
• Mid-Rails	Page 6
• Interlocks	Page 7
• Add-Ons & Infills	Page 8
• Couplers & Weather Drip	Page 9
• Head Extensions	Page 10
• Cills	Page 11 - 12

## General Arrangements: Pages 13 - 27

• Track	Page 13
• Track With Cill	Page 14
• Head	Page 15
• Trickle Vents	Page 16
• Interlocks	Page 17 - 19
• Window Jamb	Page 20
• Triple Track	Page 21
• Triple Track Head	Page 22
• Triple Track Window Jamb	Page 23
• Mullions	Page 24 - 26
• 4 Panel Meeting Stile	Page 27

# Specification



**DURATION  
WINDOWS**

## General

The Duraslide 2000 system is an evolution of our original side window system, which has been designed for use as horizontal sliding windows. It has slim thermally broken profiles and minimal sight-lines. It achieves excellent U-values inline with the current Building Regulations.

The system is suitable for replacement of existing windows and for installation into new build projects. It has been designed for use in domestic and light commercial projects.

The outerframe is assembled with mechanical cleats. These windows use a wrap around glazing system, where the sashes are screwed together around the glass and gaskets.

## System Specification

SECTIONS	The frames are constructed of aluminium alloy extrusion to BS EN 755-9 and BS EN 12020, extruded from 6063 T6 alloy. The internal and external extrusions are separated with a polyamide thermal break.
FINISH	The external aluminium alloy extrusion is pre-treated and finished either; a) Anodised to BS 3987: 1987, grade AA25 to a natural self colour. b) Polyester powder organic coating to BS 6496. Dual colour is also available.
GLAZING	Glass is secured in position using a wrap around gasket with the sash profiles assembled around the unit. Glazing can be 24mm, 28mm or 32mm by selecting the relevant gasket.
LOCKING	Multipoint locking system and stainless steel one piece keep.

## Recommended Sizes

Minimum Width:	800mm
Maximum Width:	5400mm
Maximum Height:	2700mm
Minimum Height:	500mm
Maximum Sash Weight:	200Kg (using ACGSL505 rollers)
Maximum Sash Width:	1350mm

## Weather Performance

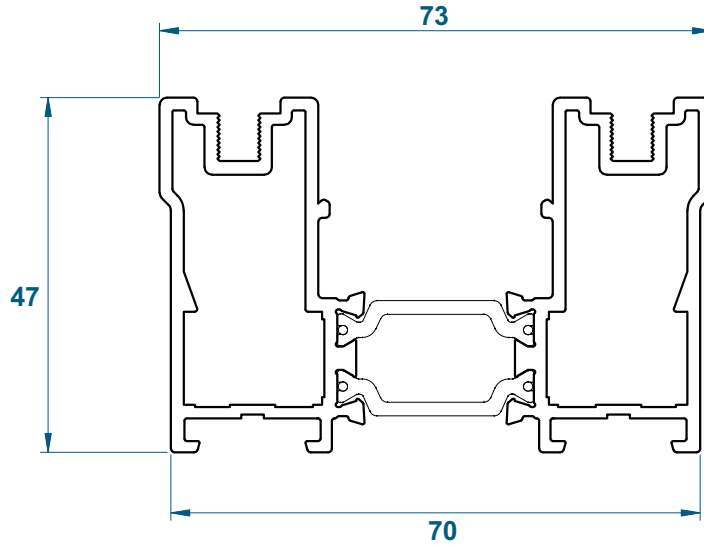
Weather performance inline with BS6375-1 is as follows:

BS EN 1026: 2000 Air Permeability:	600 Pa
BS EN 1027: 2000 Watertightness:	250 Pa
BS EN 12211: 2000 Resistance to Wind Load:	1200 Pa
U-value: 2000 Thermal Performance:	1.7 W/m <sup>2</sup> K

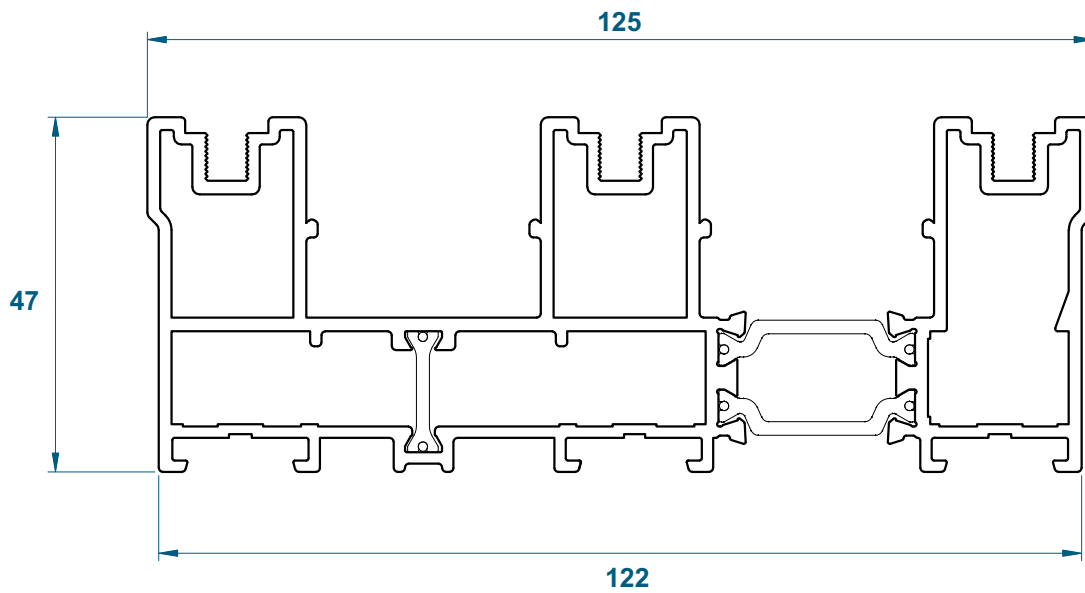
U-values calculated using a double glazed sealed unit 90% argon gas filled with a warm edge spacerbar and a centre pane U-value of 1.1 W/M<sup>2</sup>K. Weather ratings are to be confirmed by testing carried out by Smarts Systems.



## Two Track Outerframe: GSL1010



## Three Track Outerframe: GSL1012



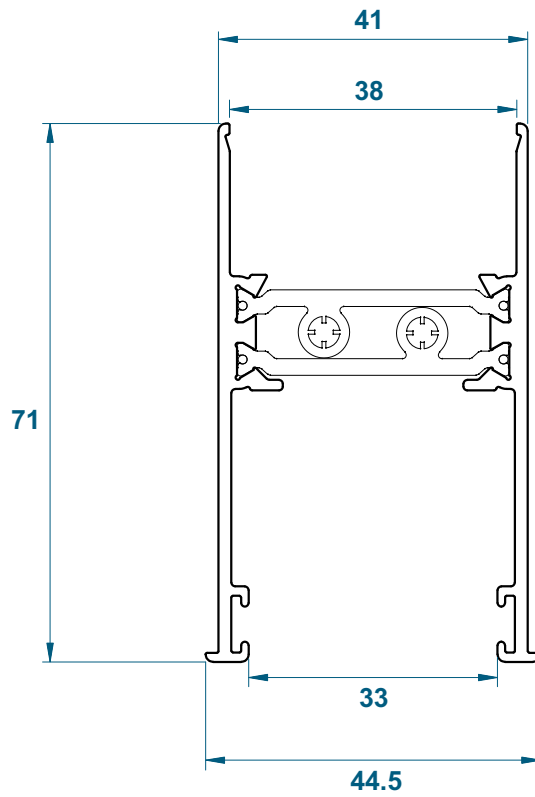
Duration Windows reserves the right to make changes to the product specification as technical developments dictate, and without prior notice. Pictures shown are for illustrative purposes and are not binding in detail, colour or specification.

# Sliding Panel & Locking Stile

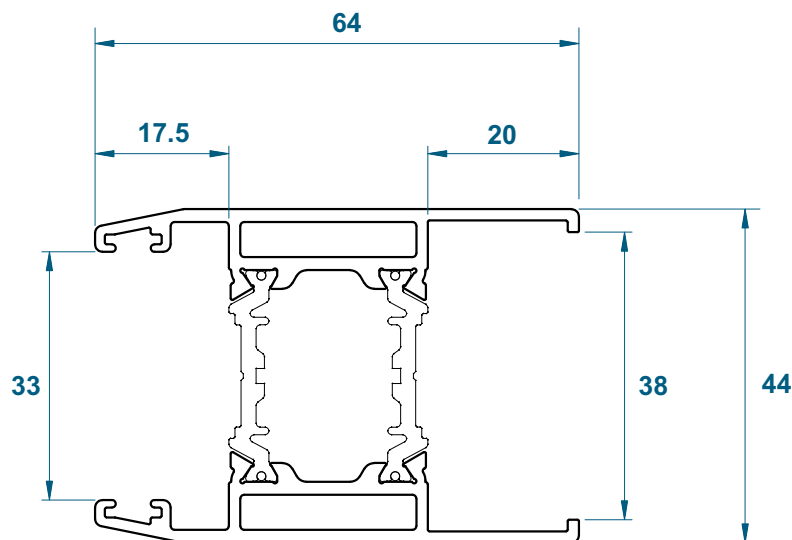


DURATION  
WINDOWS

## Top & Bottom Rail: GSL020



## Locking Stile: GSL021



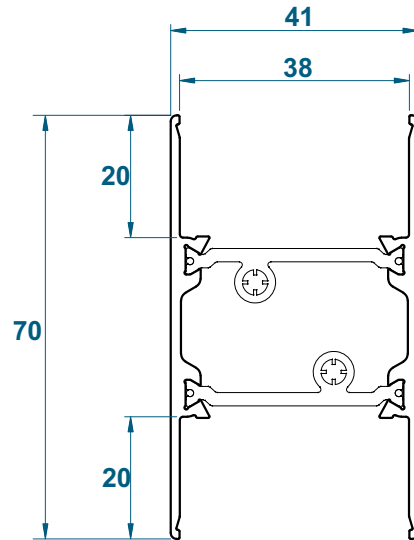
Duration Windows reserves the right to make changes to the product specification as technical developments dictate, and without prior notice. Pictures shown are for illustrative purposes and are not binding in detail, colour or specification.

# Mid-Rails

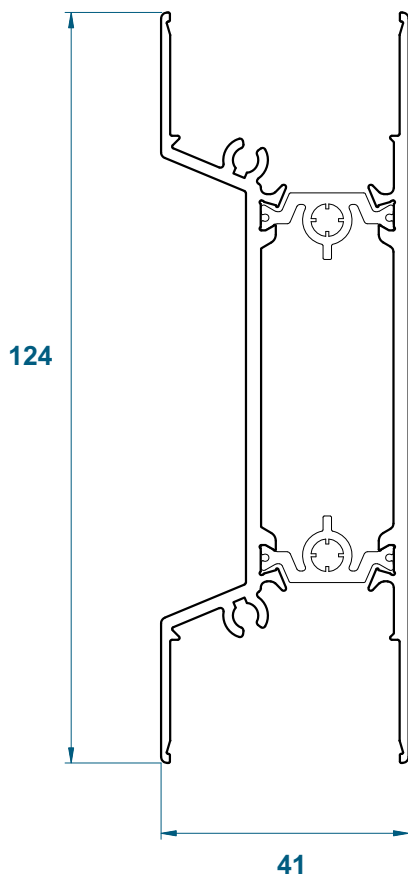


DURATION  
WINDOWS

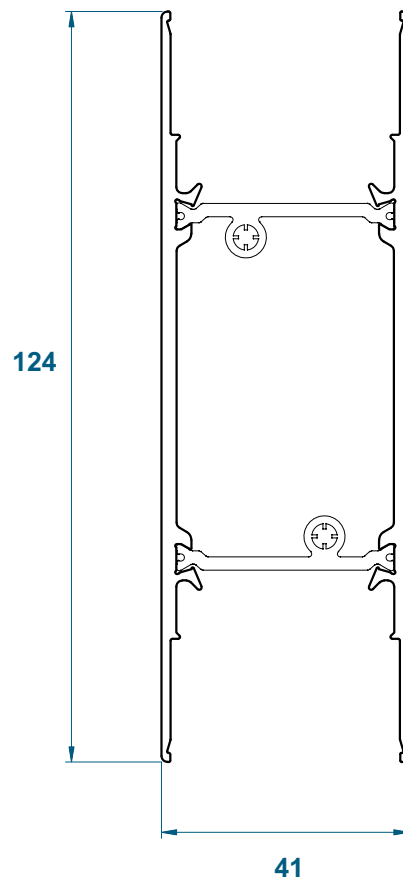
## Mid-Rail: GSL030



## Mid-Rail for Letter Plate: GSL1130



## Mid-Rail: GSL1131



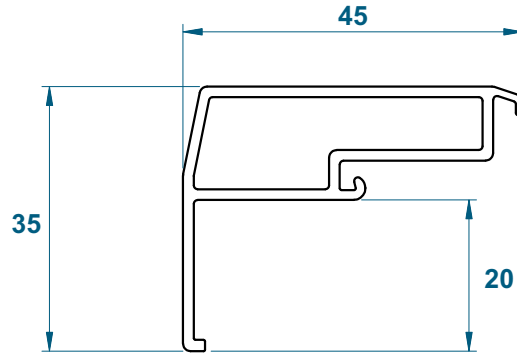
Duration Windows reserves the right to make changes to the product specification as technical developments dictate, and without prior notice. Pictures shown are for illustrative purposes and are not binding in detail, colour or specification.

# Interlocks

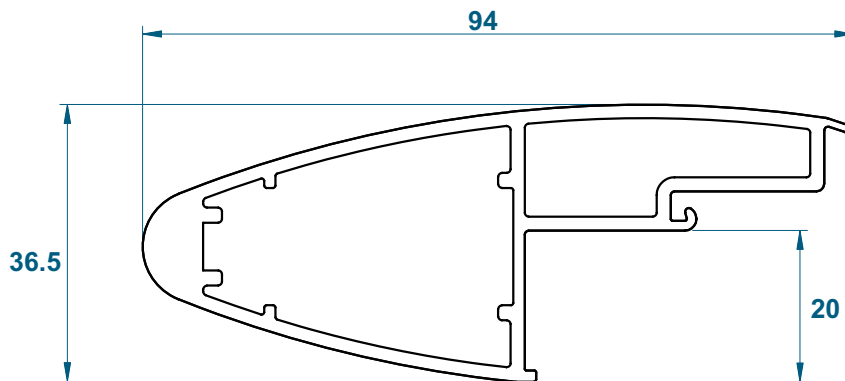


DURATION  
WINDOWS

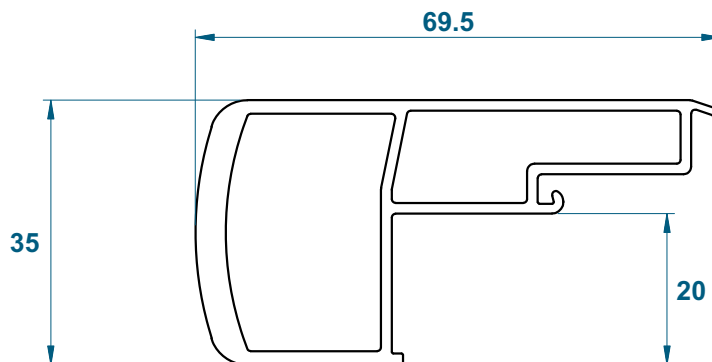
## Interlock: GSL310



## Reinforced Interlock: GSL1330



## Reinforced Interlock: GSL1335



Duration Windows reserves the right to make changes to the product specification as technical developments dictate, and without prior notice. Pictures shown are for illustrative purposes and are not binding in detail, colour or specification.

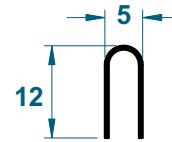
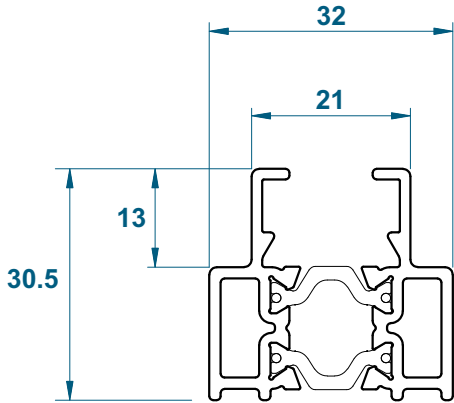
# Add-Ons & Infills



**DURATION  
WINDOWS**

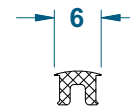
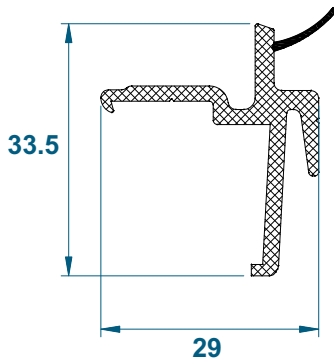
**Meeting Stile Section: GSL040**

**Stainless Steel Track: VG53**



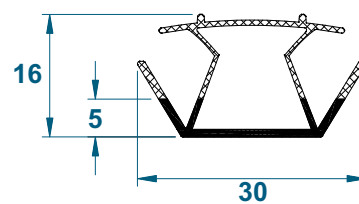
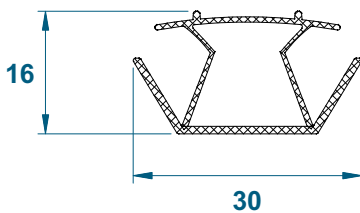
**PVC Interlock GSL053**

**PVC Infill: VG52**



**Channel Infill: GSL050**

**Cill Channel Infill: GS051**



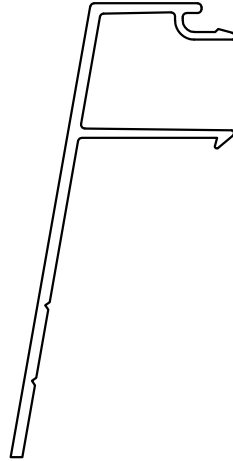
Duration Windows reserves the right to make changes to the product specification as technical developments dictate, and without prior notice. Pictures shown are for illustrative purposes and are not binding in detail, colour or specification.

# Couplers & Weather Drip

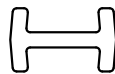


DURATION  
WINDOWS

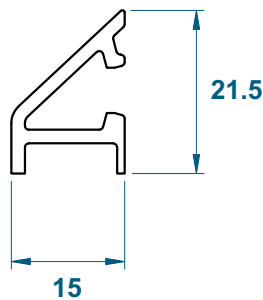
## Coupling Piece: VG90



## No Show Coupling Piece: VL75



## Weather Drip: VL72



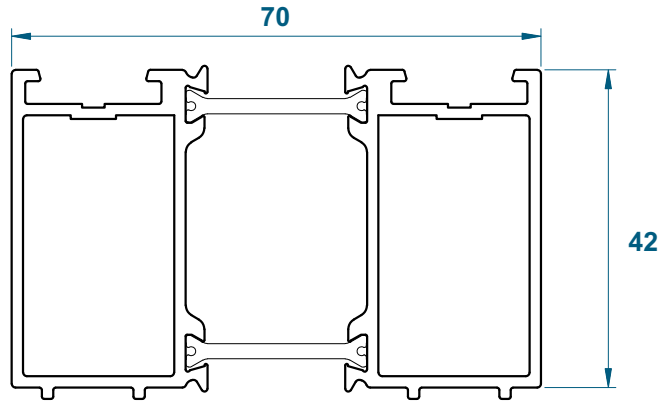
Duration Windows reserves the right to make changes to the product specification as technical developments dictate, and without prior notice. Pictures shown are for illustrative purposes and are not binding in detail, colour or specification.

# Head Extensions

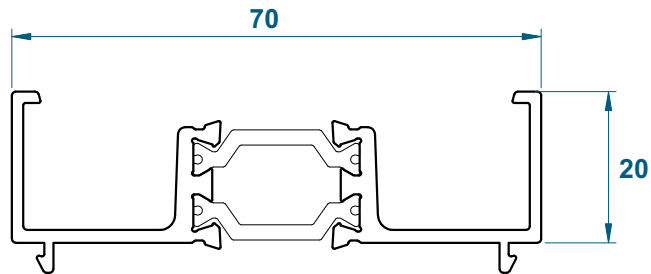


DURATION  
WINDOWS

## 42mm Head Extension: DV515



## 20mm Head Extension: DV559



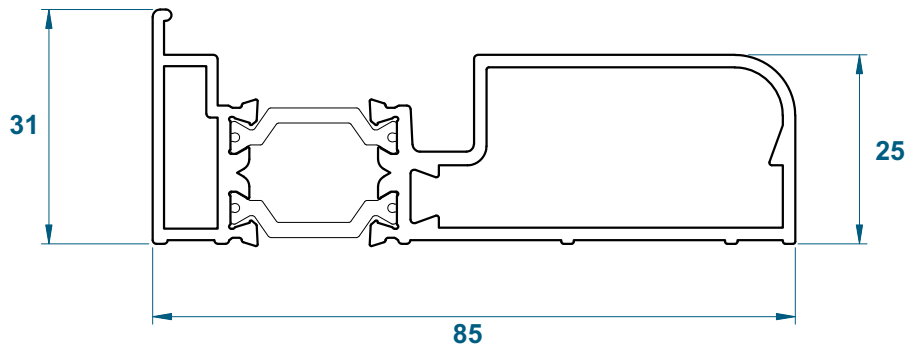
Duration Windows reserves the right to make changes to the product specification as technical developments dictate, and without prior notice. Pictures shown are for illustrative purposes and are not binding in detail, colour or specification.

# Projection Cill

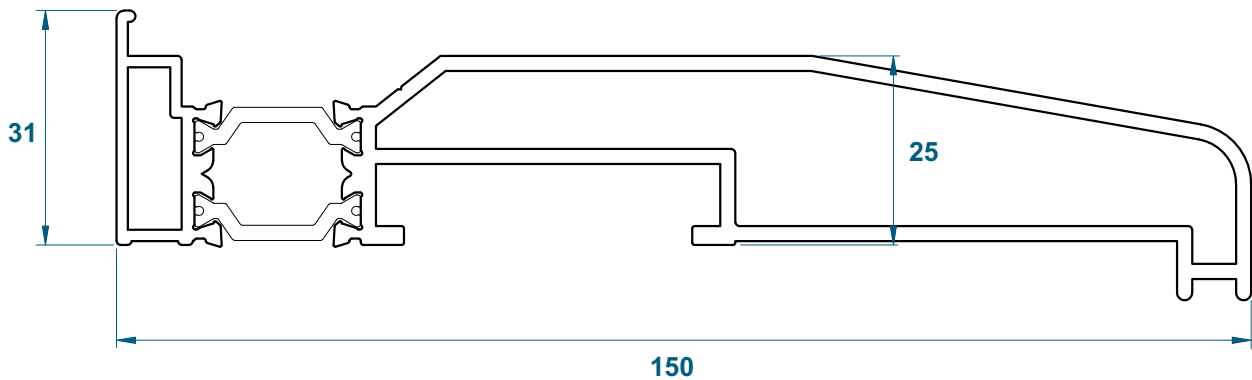


DURATION  
WINDOWS

## 85mm Projection Cill: ETC178



## 150mm Projection Cill: ETC157N

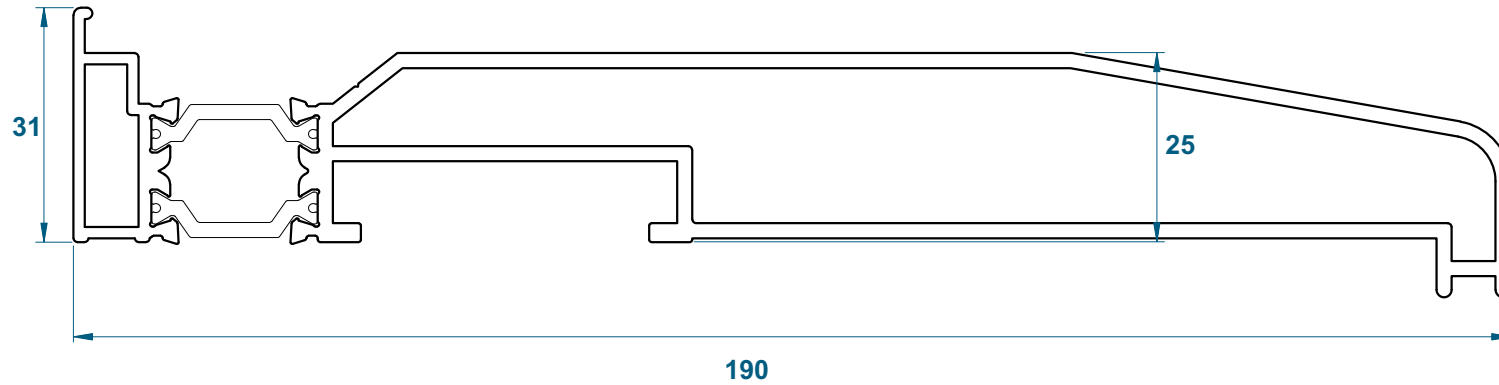


Duration Windows reserves the right to make changes to the product specification as technical developments dictate, and without prior notice. Pictures shown are for illustrative purposes and are not binding in detail, colour or specification.

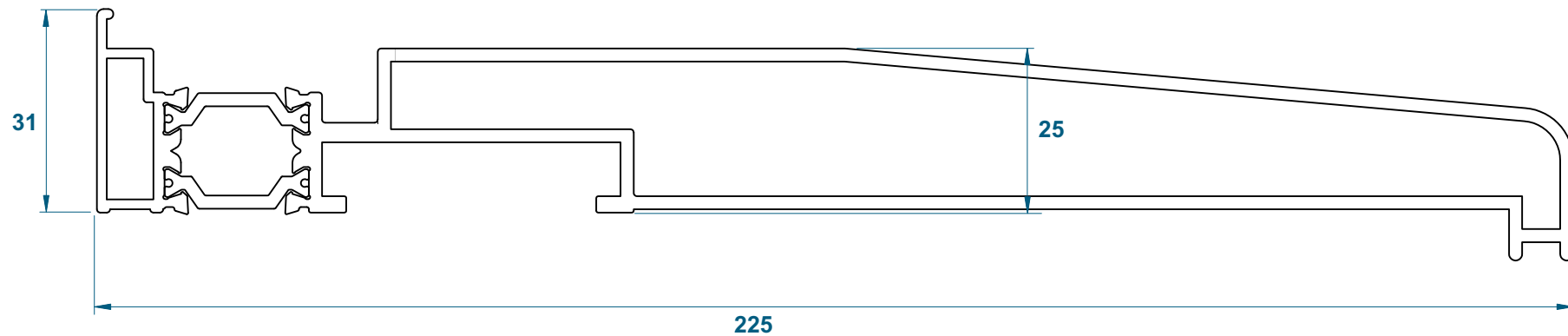
# Projection Cill



## 190mm Projection Cill: ETC158N

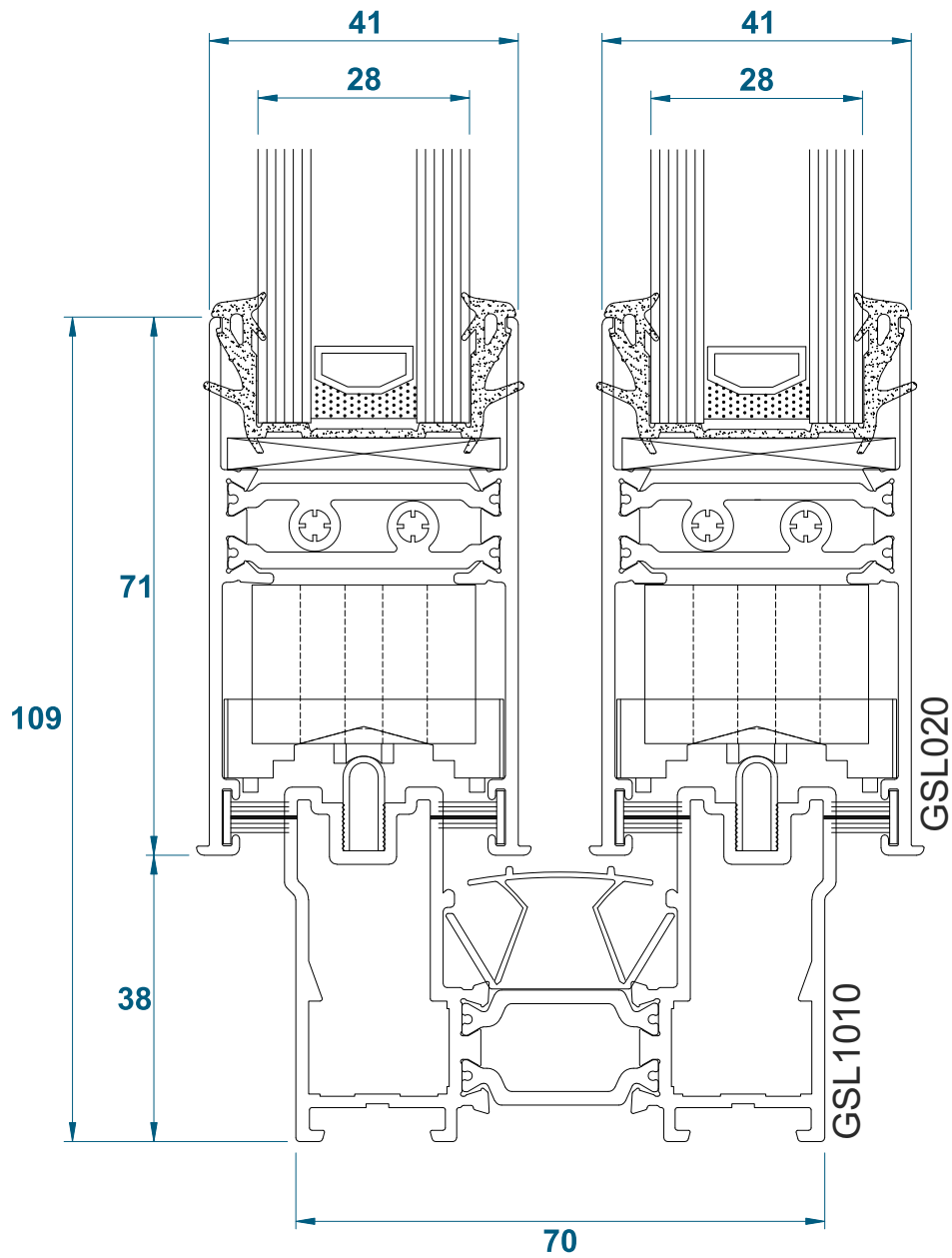
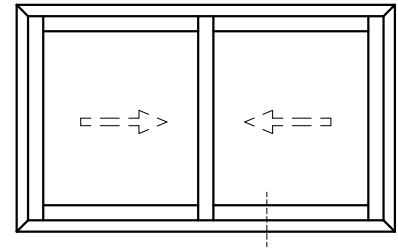


## 225mm Projection Cill: ETC179





## Sliding Panel Track Section



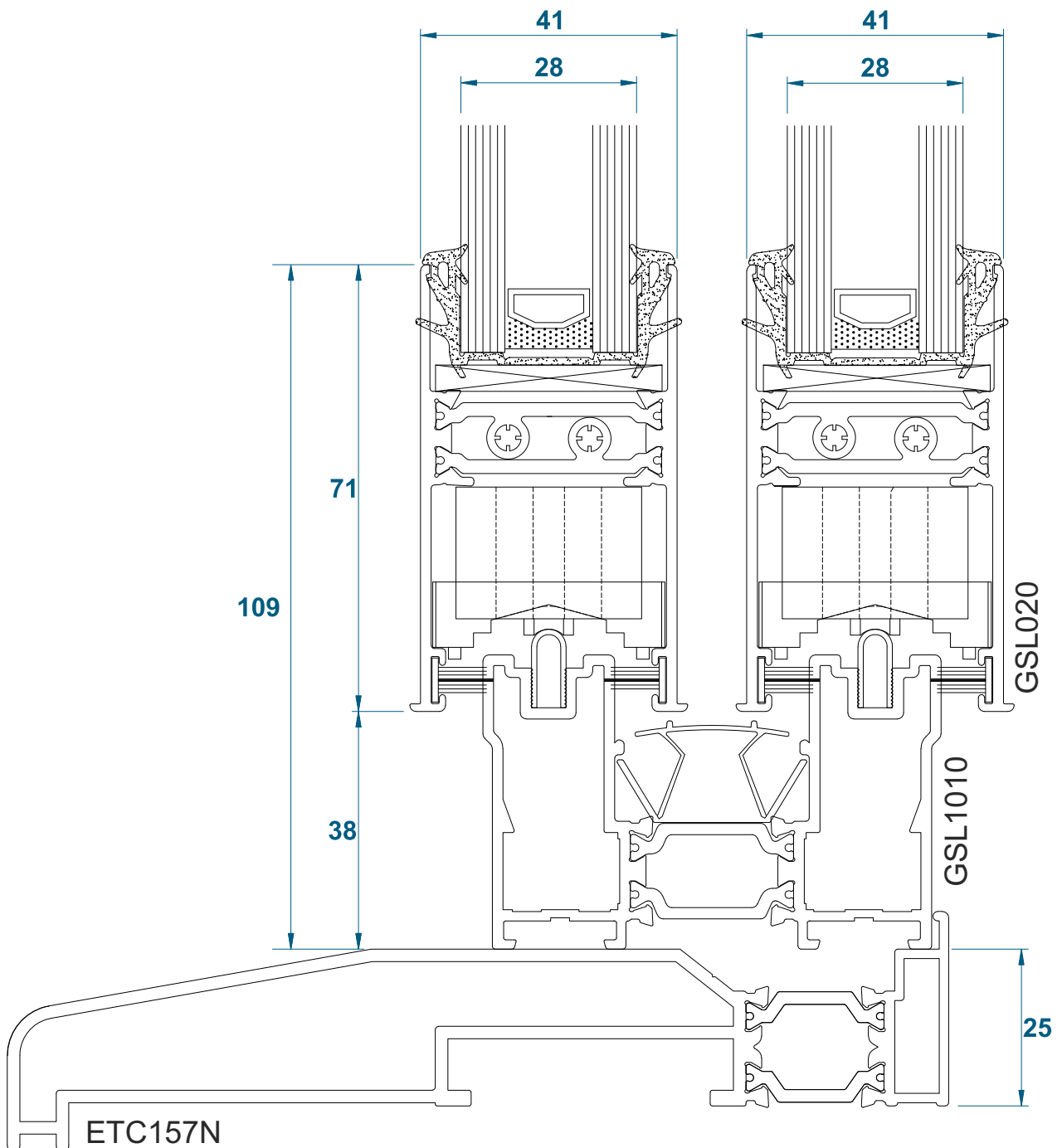
Duration Windows reserves the right to make changes to the product specification as technical developments dictate, and without prior notice. Pictures shown are for illustrative purposes and are not binding in detail, colour or specification.

# Two Track With Cill Section



DURATION  
WINDOWS

## Sliding Panel Track Section Using A 150 Cill



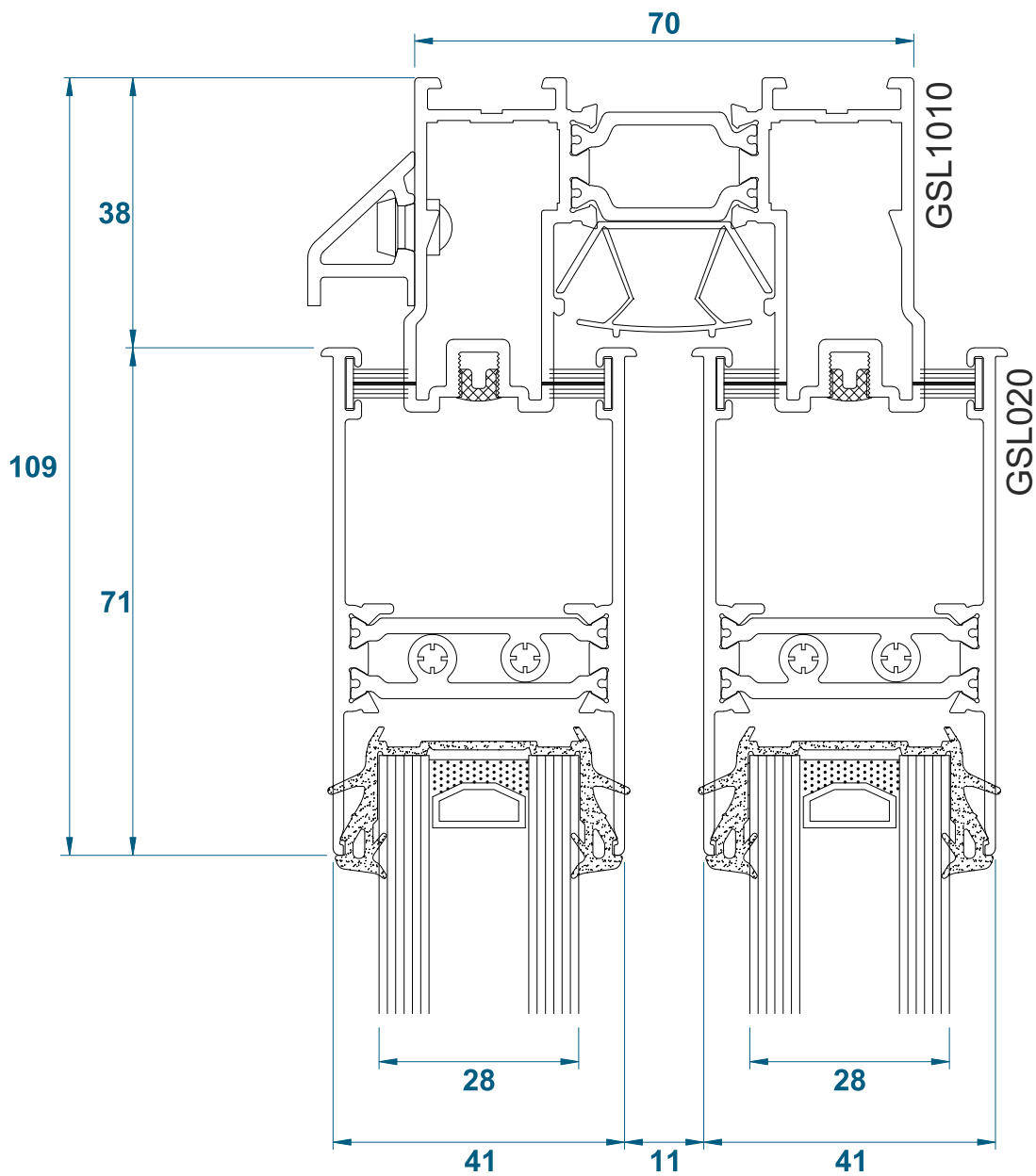
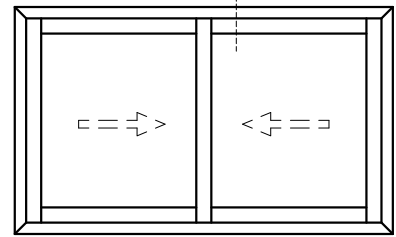
Duration Windows reserves the right to make changes to the product specification as technical developments dictate, and without prior notice. Pictures shown are for illustrative purposes and are not binding in detail, colour or specification.

# Head Section



DURATION  
WINDOWS

## Sliding Head Section - With Built In Head Drip



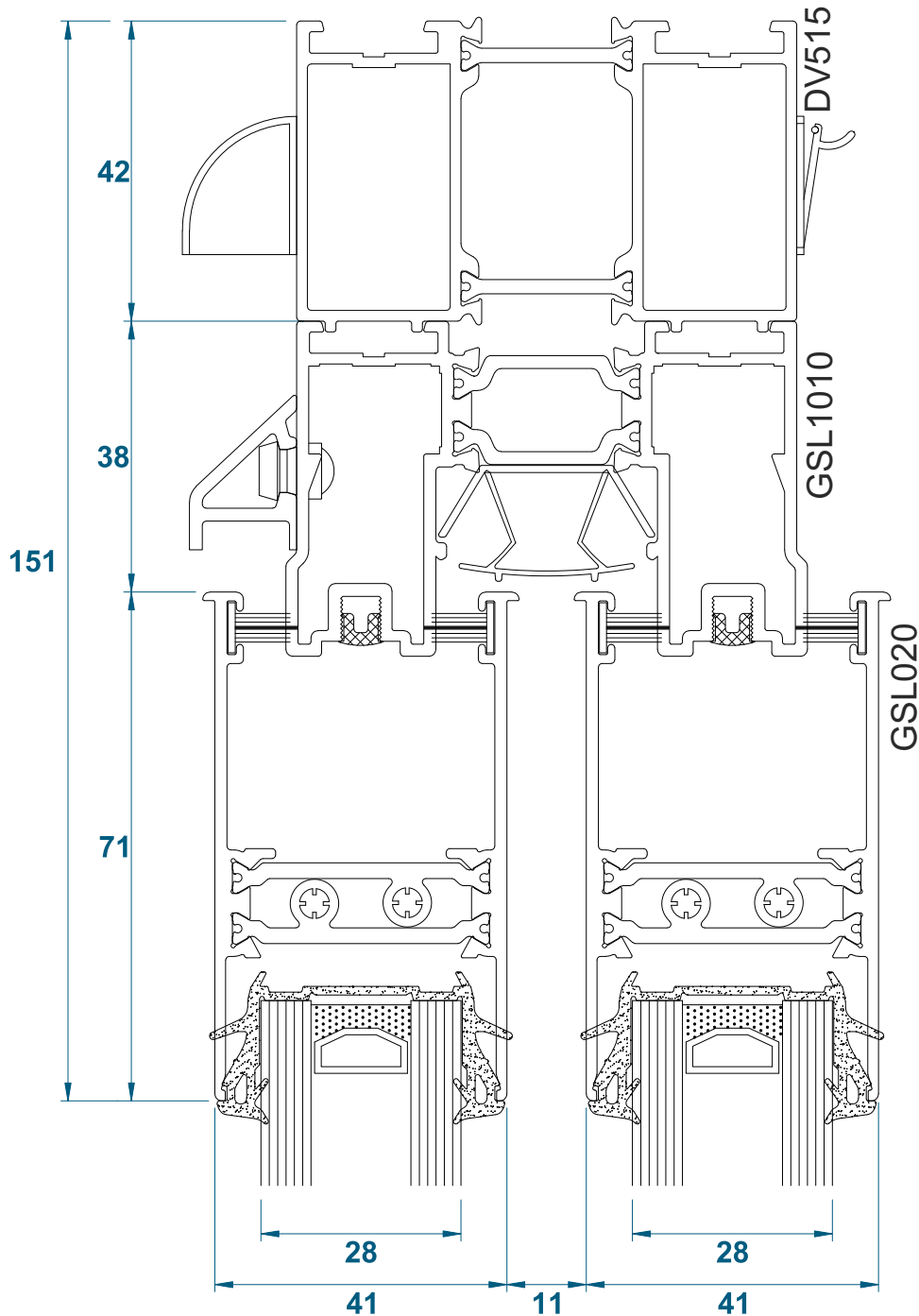
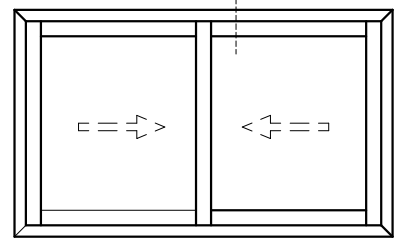
Duration Windows reserves the right to make changes to the product specification as technical developments dictate, and without prior notice. Pictures shown are for illustrative purposes and are not binding in detail, colour or specification.

# Trickle Vents



DURATION  
WINDOWS

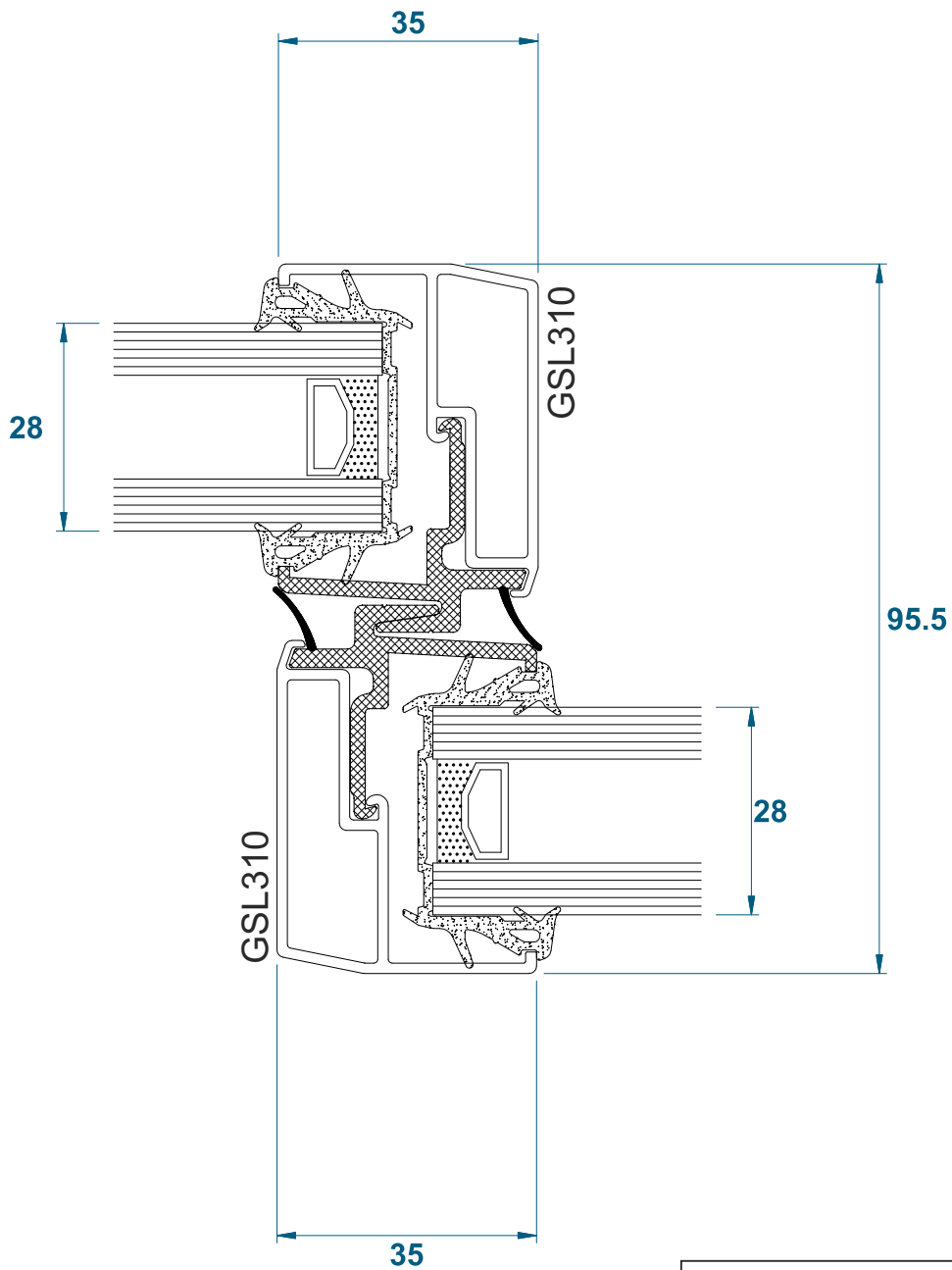
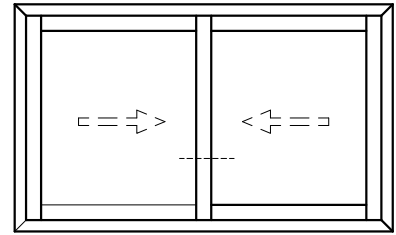
## Trickle Vents In 35mm Head Extension



Duration Windows reserves the right to make changes to the product specification as technical developments dictate, and without prior notice. Pictures shown are for illustrative purposes and are not binding in detail, colour or specification.



## Slim Interlock

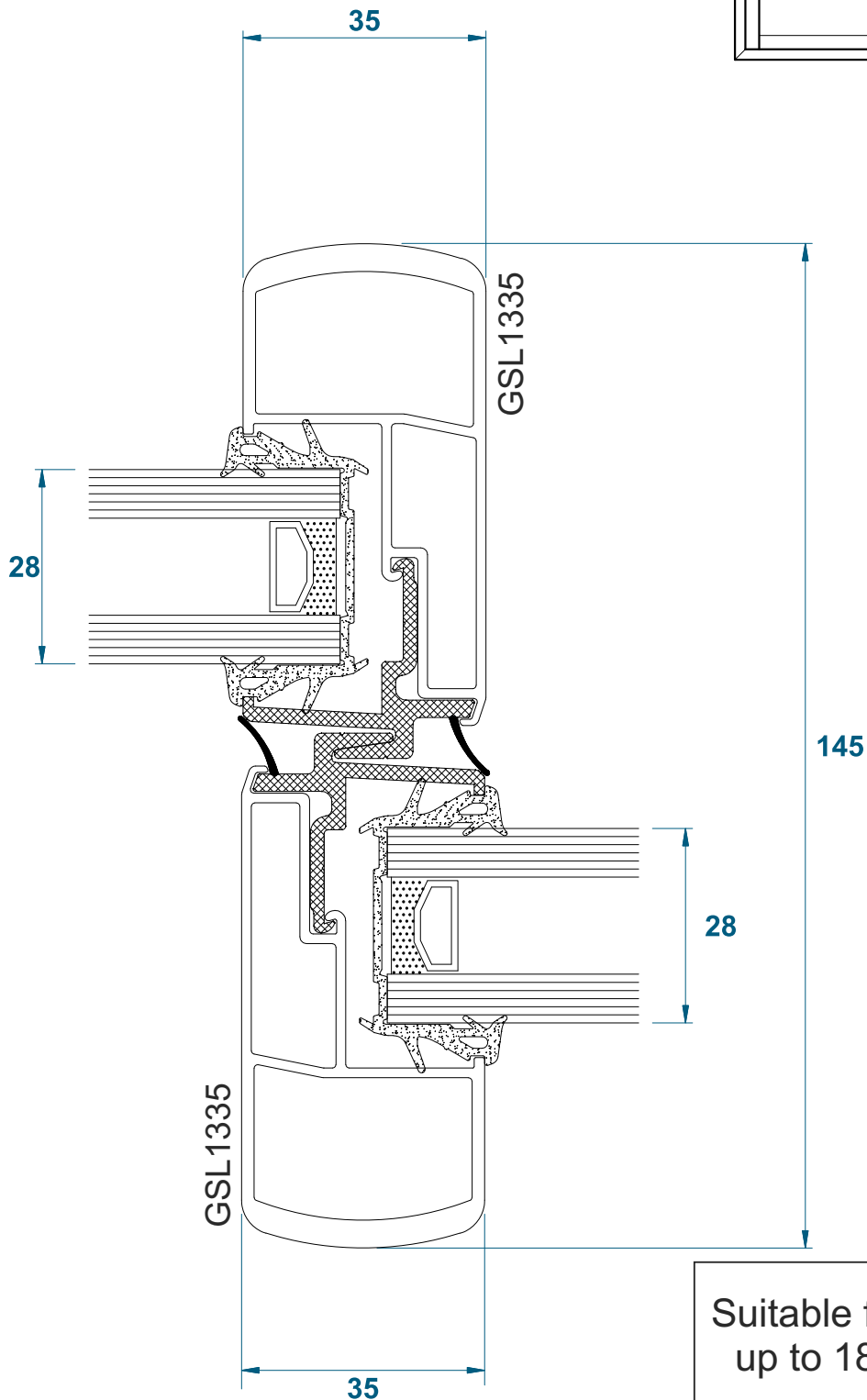
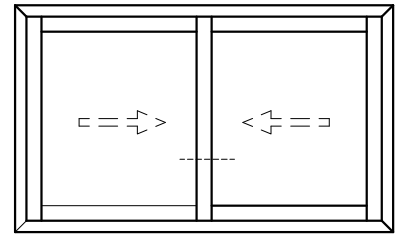


Suitable for windows up to 1400mm tall

Duration Windows reserves the right to make changes to the product specification as technical developments dictate, and without prior notice. Pictures shown are for illustrative purposes and are not binding in detail, colour or specification.



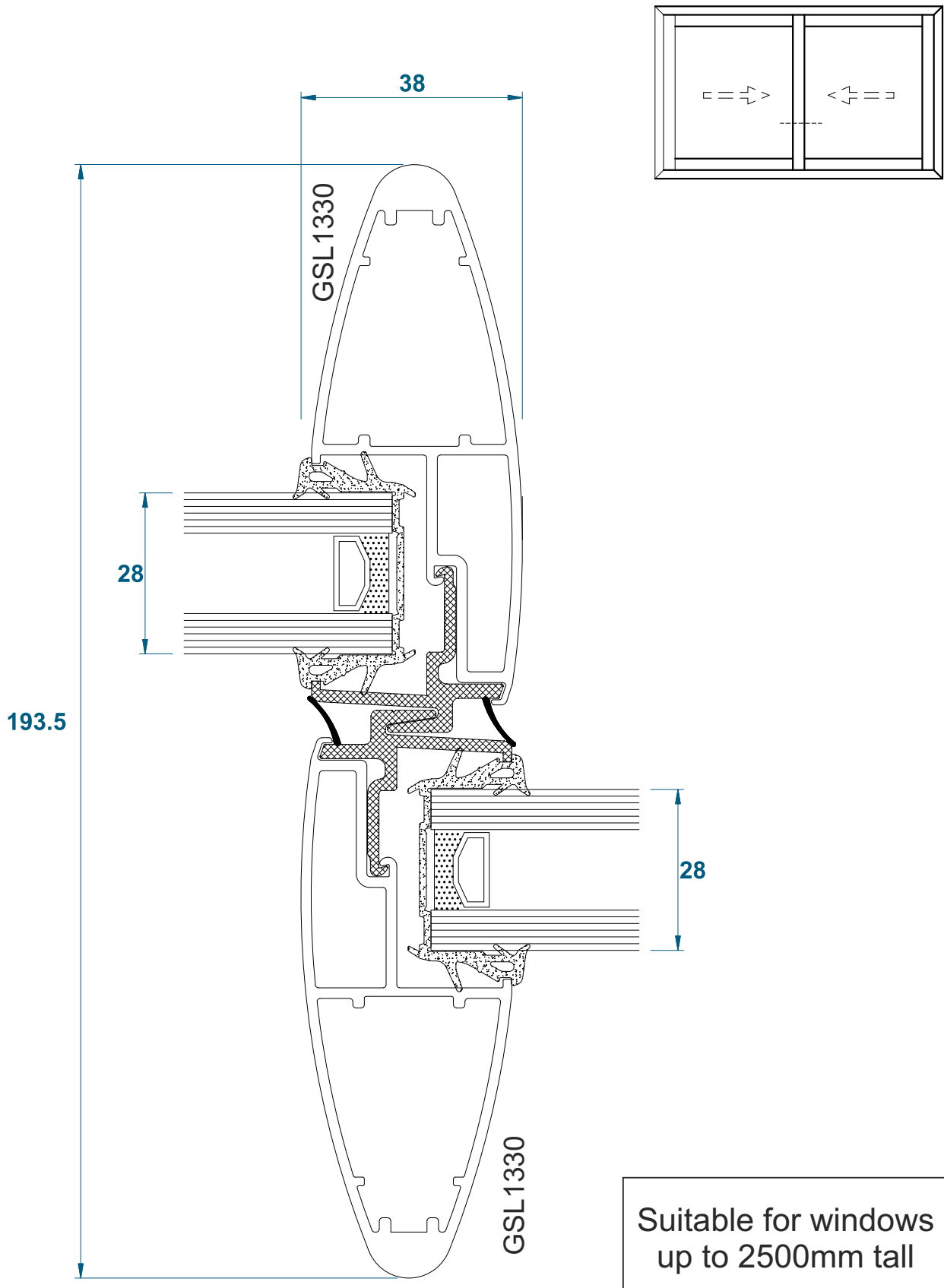
## Intermediate Duty Interlock



Duration Windows reserves the right to make changes to the product specification as technical developments dictate, and without prior notice. Pictures shown are for illustrative purposes and are not binding in detail, colour or specification.



## Heavy Duty Interlock



Suitable for windows  
up to 2500mm tall

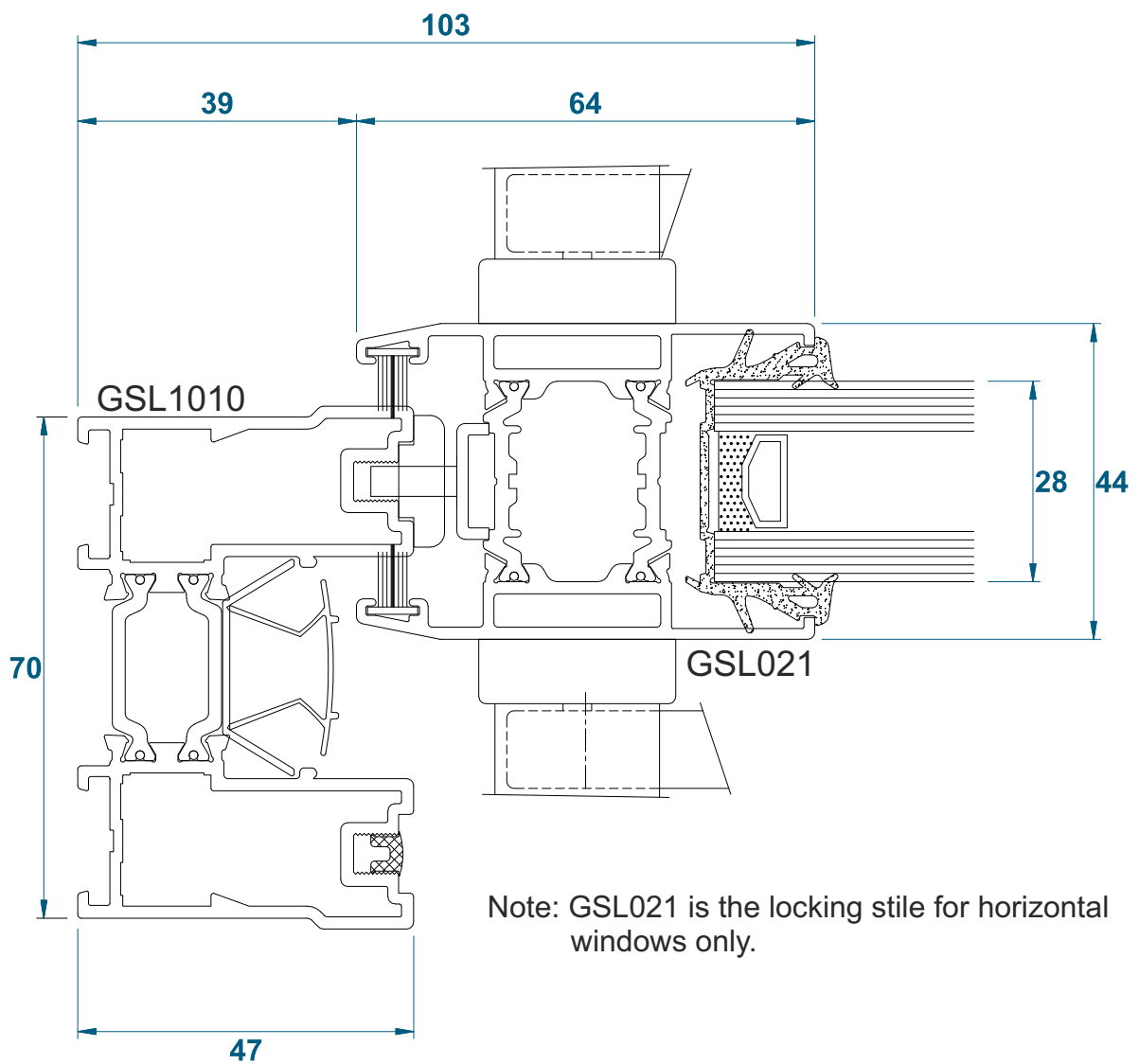
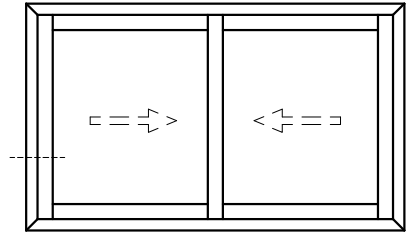
Duration Windows reserves the right to make changes to the product specification as technical developments dictate, and without prior notice. Pictures shown are for illustrative purposes and are not binding in detail, colour or specification.

# Jamb Section



DURATION  
WINDOWS

## Horizontal Sliding Window Jamb Section



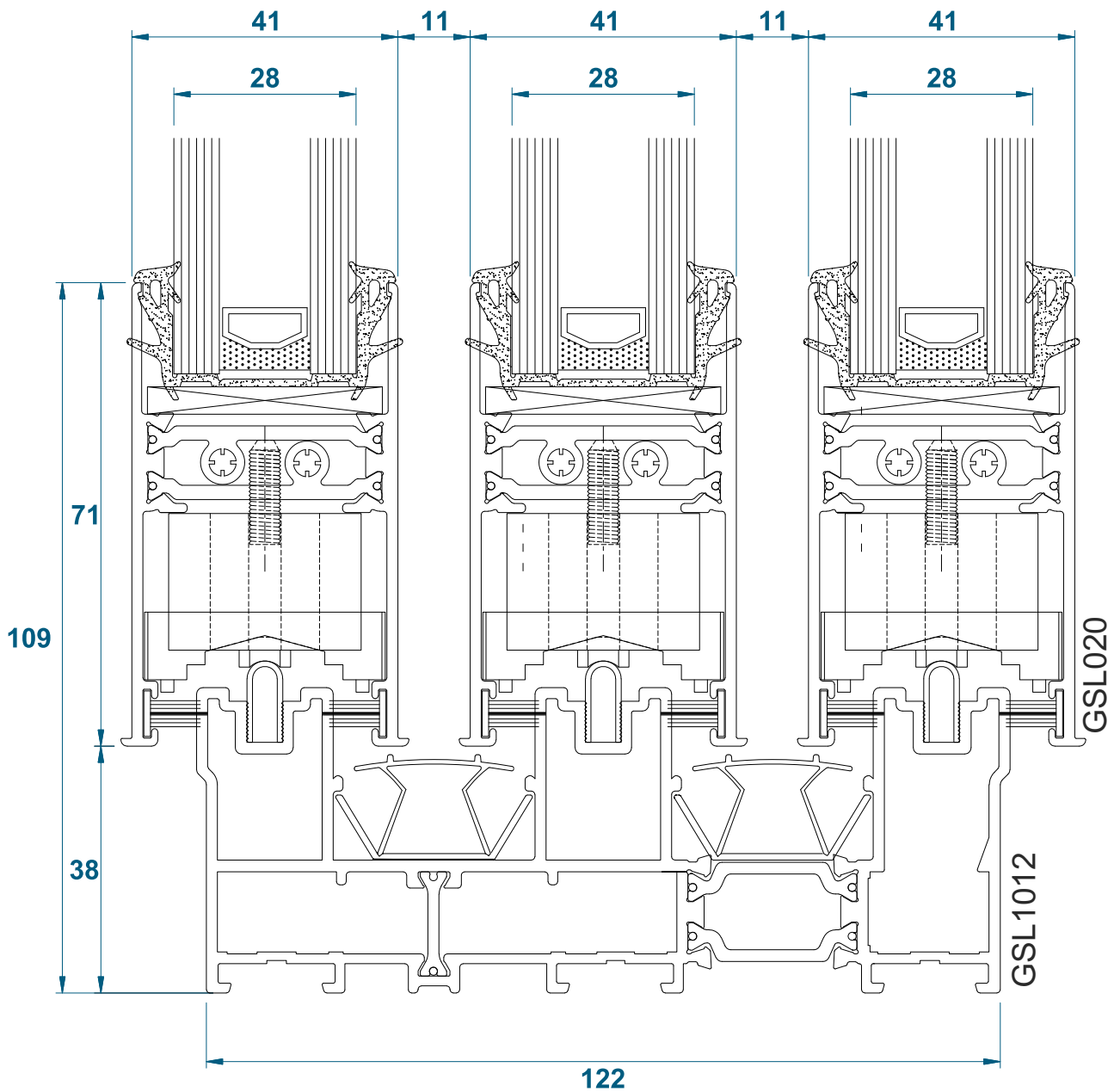
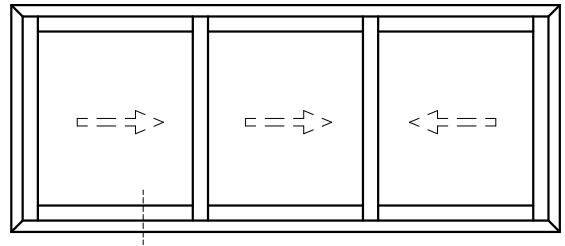
Duration Windows reserves the right to make changes to the product specification as technical developments dictate, and without prior notice. Pictures shown are for illustrative purposes and are not binding in detail, colour or specification.

# Triple Track



# DURATION WINDOWS

## Sliding Cill Section



Note: GSL1012 can be used with ETC158N & ETC179 sub-cills Only

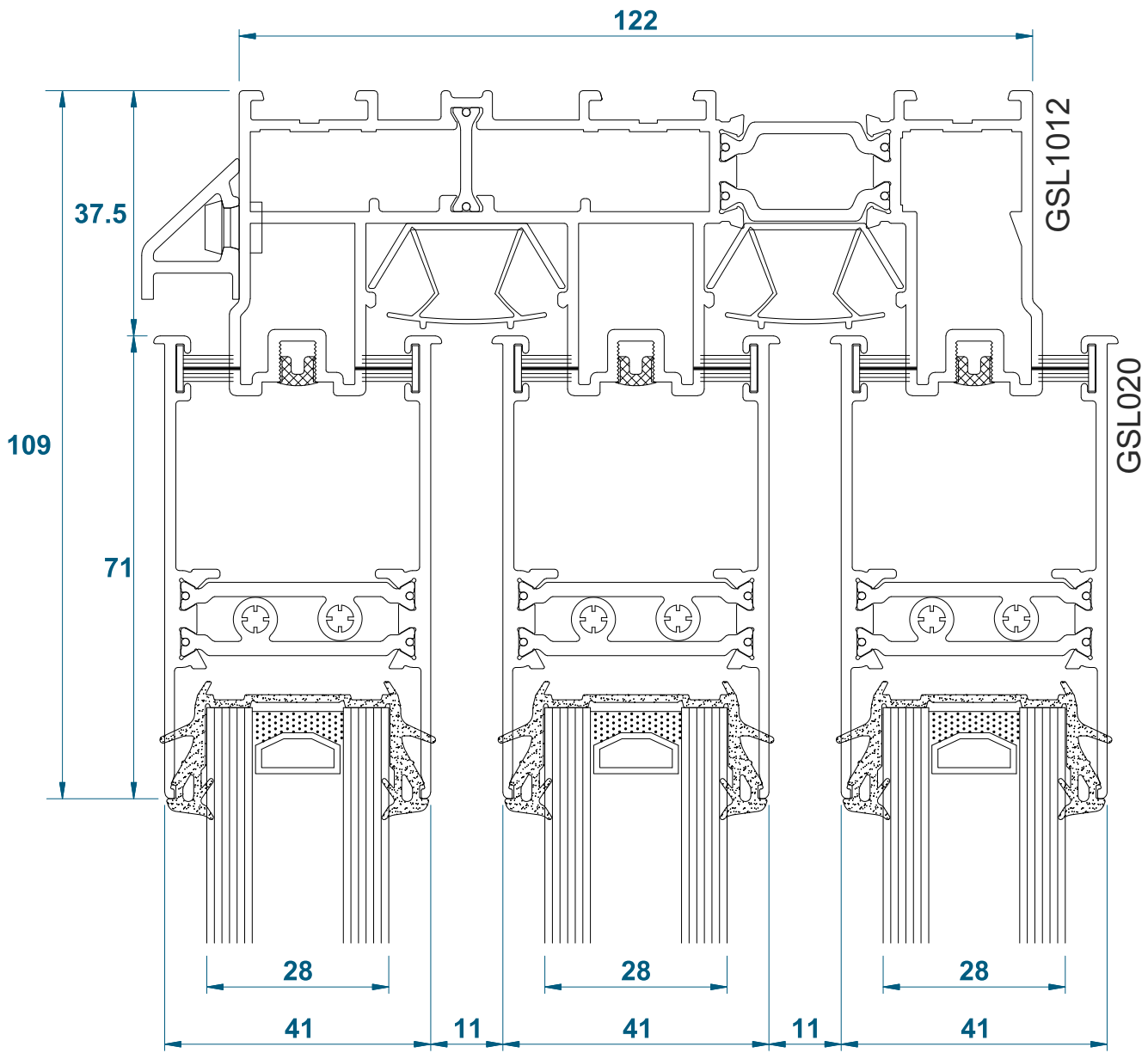
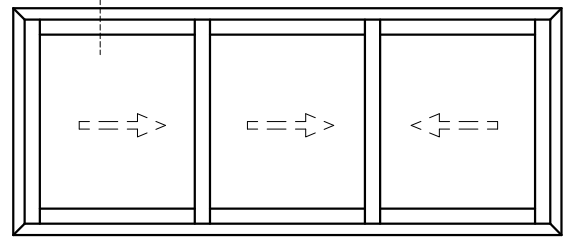
Duration Windows reserves the right to make changes to the product specification as technical developments dictate, and without prior notice. Pictures shown are for illustrative purposes and are not binding in detail, colour or specification.

# Triple Track



DURATION  
WINDOWS

## Sliding Head Section



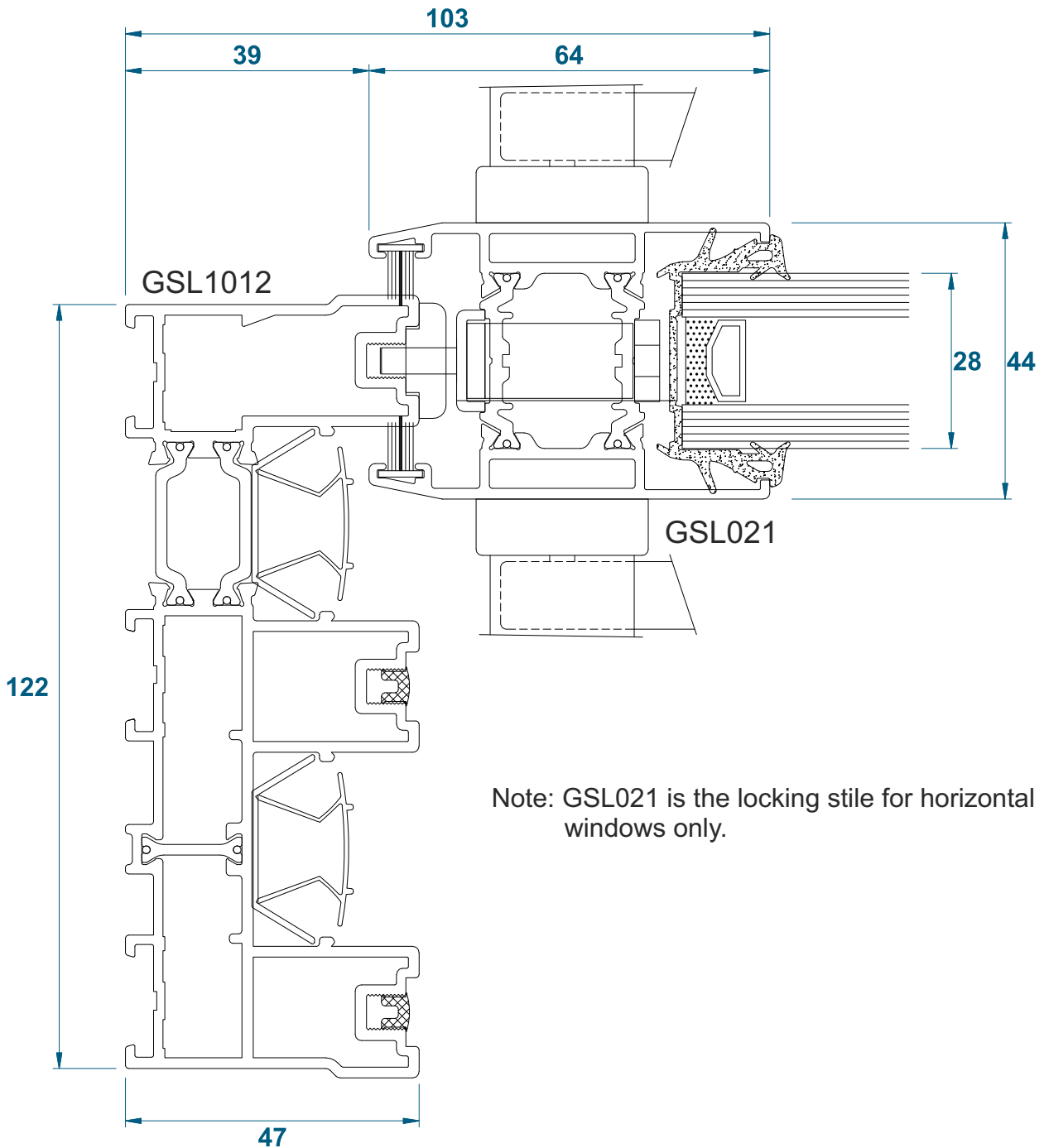
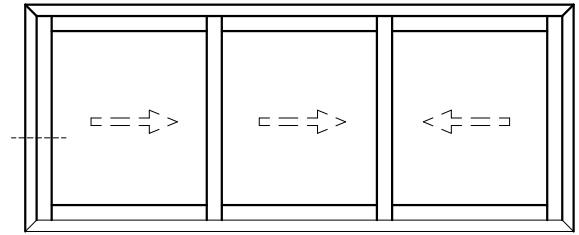
Duration Windows reserves the right to make changes to the product specification as technical developments dictate, and without prior notice. Pictures shown are for illustrative purposes and are not binding in detail, colour or specification.

# Triple Track



DURATION  
WINDOWS

## Horizontal Sliding Window Jamb Section



Note: GSL021 is the locking stile for horizontal windows only.

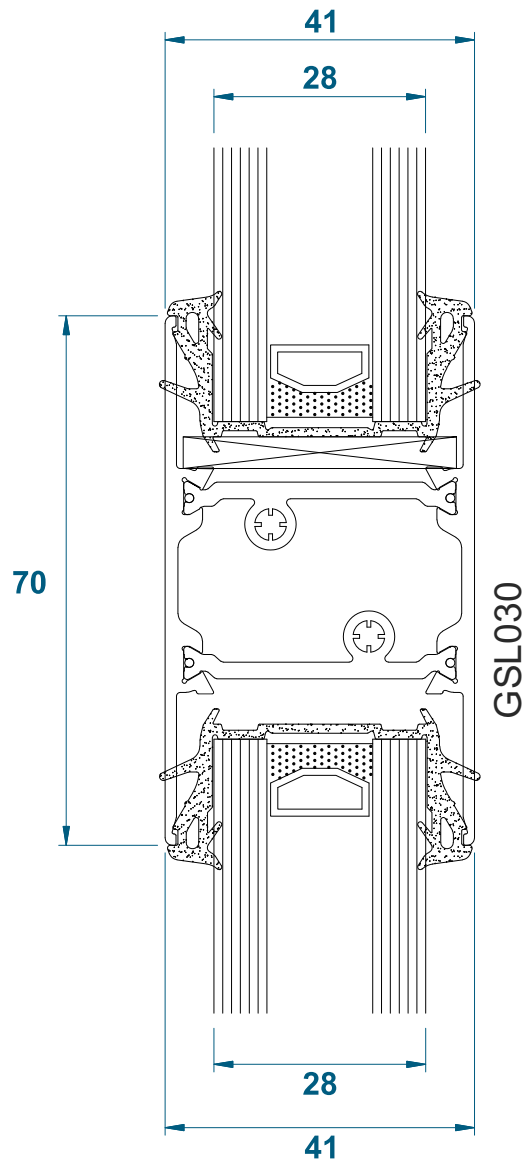
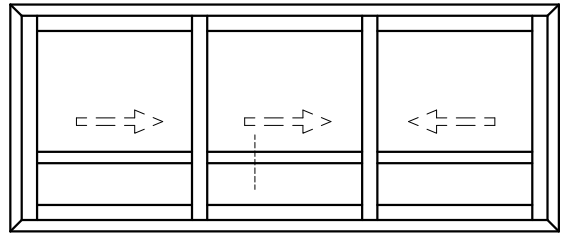
Duration Windows reserves the right to make changes to the product specification as technical developments dictate, and without prior notice. Pictures shown are for illustrative purposes and are not binding in detail, colour or specification.

# Mullion Section



DURATION  
WINDOWS

## 70mm Mullion Section



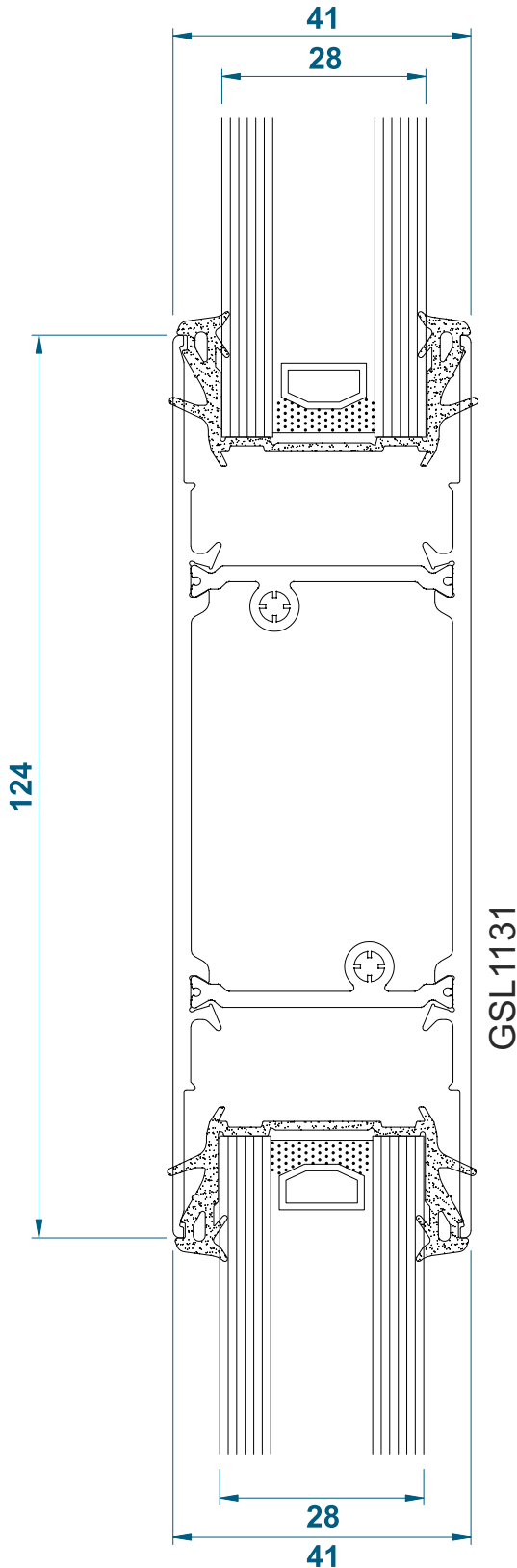
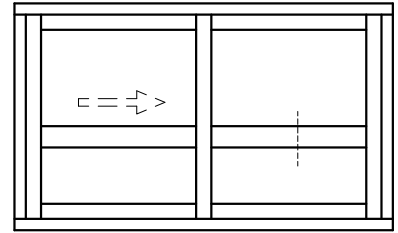
Duration Windows reserves the right to make changes to the product specification as technical developments dictate, and without prior notice. Pictures shown are for illustrative purposes and are not binding in detail, colour or specification.

# Mullion Section



DURATION  
WINDOWS

## 124mm Mullion Section



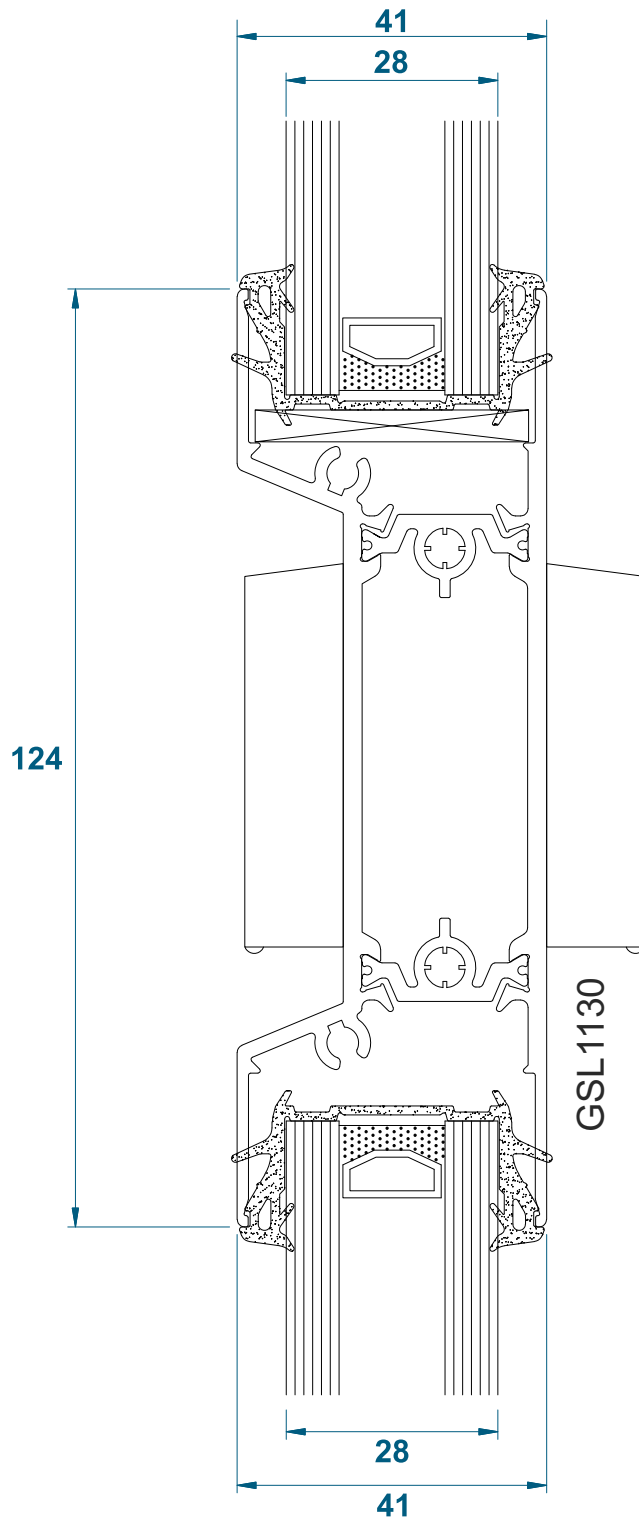
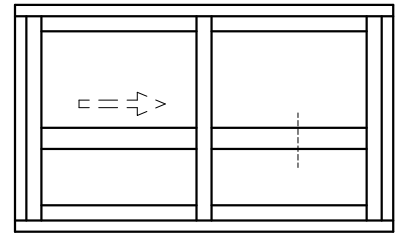
Duration Windows reserves the right to make changes to the product specification as technical developments dictate, and without prior notice. Pictures shown are for illustrative purposes and are not binding in detail, colour or specification.

# Mullion Section



DURATION  
WINDOWS

## Recessed Letter Plate Mullion



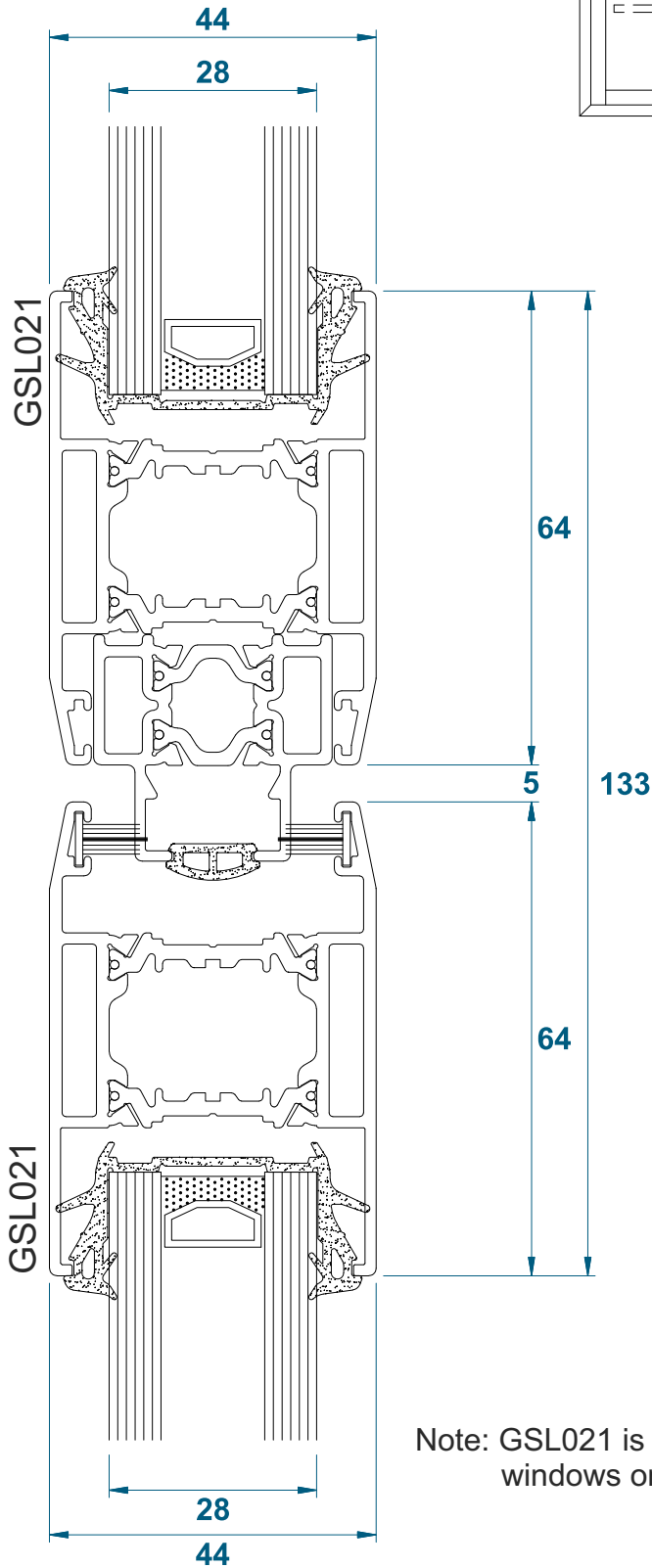
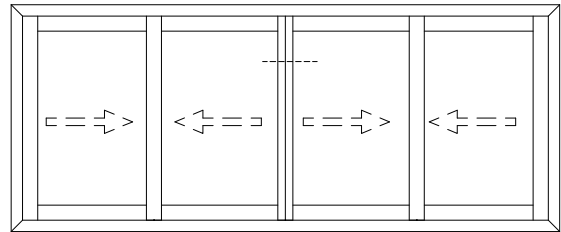
Duration Windows reserves the right to make changes to the product specification as technical developments dictate, and without prior notice. Pictures shown are for illustrative purposes and are not binding in detail, colour or specification.

# Meeting Stiles



DURATION  
WINDOWS

## Horizontal 4 Pane Sliding Window Meeting Stile



Note: GSL021 is the locking stile for horizontal windows only.

Duration Windows reserves the right to make changes to the product specification as technical developments dictate, and without prior notice. Pictures shown are for illustrative purposes and are not binding in detail, colour or specification.