

SEAMLESS INTEGRATION

DuPont™ Corian® Custom Shapes can be integrated into your Corian® surface using a seamless under mounting technique, which eliminates open seams that trap germs and dirt, making the entire area very easy to clean and maintain.

COLOUR OPTIONS

All shapes are available in Glacier White colour.

USE AND CARE

Depend on us to make your life easier. Corian® is an advanced blend of natural materials and acrylic polymer. By nature, that makes Corian® easy to clean, easy to care for and easy to live with. Of course, Corian® isn't self-cleaning. Few things are. But only minimal care is required to maintain its good looks. And if accidents happen, it's a comfort to know that Corian® is non-porous, stain-resistant, durable and renewable. For detailed instructions, please ask your Corian® specialist for guidelines on using and caring for your Corian®.



QUALITY NETWORK & WARRANTY

Count on us to keep our promises. Corian® is backed by a 10-Year Limited Product Warranty. When the Corian® Quality Network installs your Corian®, the entire installation is under limited warranty for 10 years, too. Our team of authorised fabricators and installers are trained in the latest techniques for working with Corian®. And they're committed to delivering the highest levels of quality and customer service at the lowest possible installed cost.



Printed in Italy with soy-based inks

The DuPont Oval, DuPont™, The miracles of science™ and Corian® are registered trademarks or trademarks of E.I. du Pont de Nemours and Company or its affiliates. Only DuPont produces Corian®. Copyright © 2012 DuPont. All rights reserved. Other logos, registered trademarks and trademarks are the property of their respective owners.

DPS-1840-12

www.corian.com



DuPont™ Corian® Custom Shapes Collection

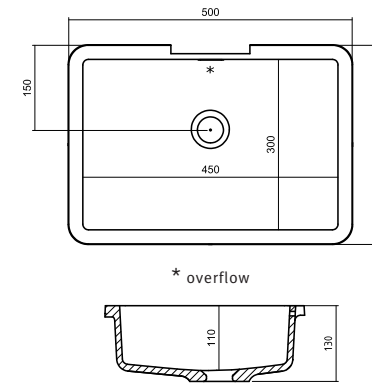
A FLEXIBLE SHAPE COLLECTION OFFERING
THE FREEDOM TO CREATE YOUR OWN DESIGN



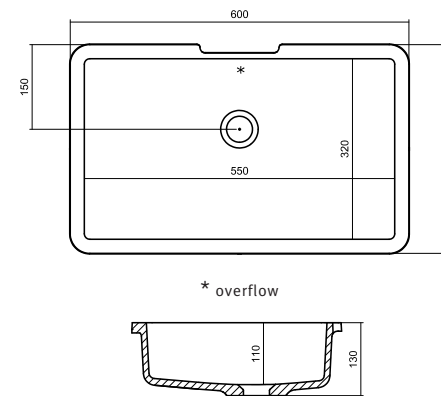
RECTANGULAR BOWLS

Reflecting contemporary bathroom style, our three rectangular bowls feature sleek lines and a minimal look.

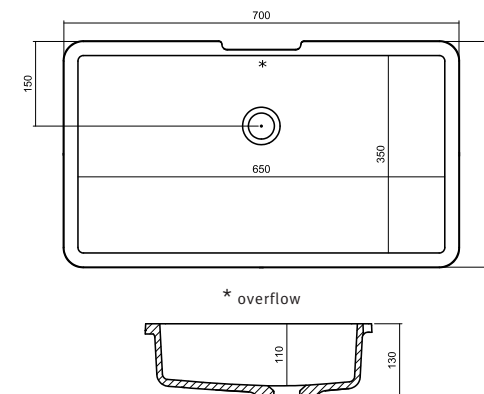
CS4530



CS5532



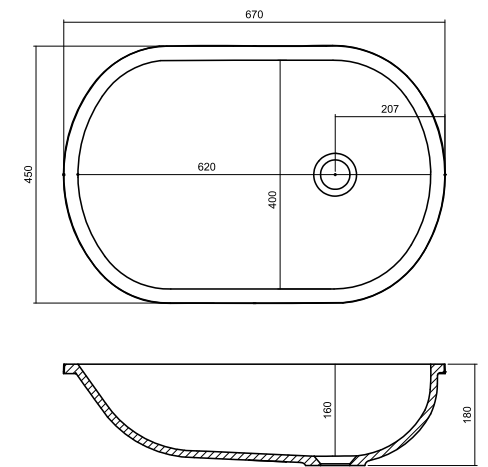
CS6535



BABY BATH

Naturally warm to the touch, smooth and hygienic, our baby bath brings the benefits of Corian® to hospital neo-natal units.

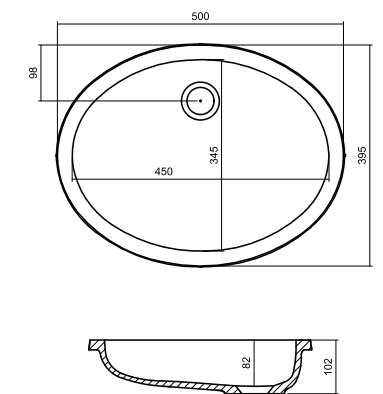
CS6240



HEALTHCARE BOWL

With its shallower depth, our healthcare bowl can be integrated into a top without creating an obstacle, giving wheelchair-users comfortable access.

CS4534



Watch your design materialize in Corian®

WITH CORIAN® CUSTOM SHAPES,
THERE IS NO SUCH THING AS COMPROMISE.

The five new bowls in this collection - designed to complement our existing range of commercial and residential bowls - are just a starting point. We can create shapes to your exact specifications, giving you the freedom to realize your own design in Corian®.

A blend of acrylic polymer and natural minerals, Corian® solid surface is completely non-porous. And your choice of bowl can be effortlessly incorporated into a Corian® surface in one continuous, seamless design. This means the entire area is resistant to stains, dirt, germs and mildew, making it easy to clean.

On the cover: Vanity with integrated rectangular custom bowl by Top Systems Technology (marketed at Cuina Vives Carlos S.L. showroom) made in DuPont™ Corian®; design by Solits; photo courtesy of Top Systems Technology; all rights reserved on design and photo.