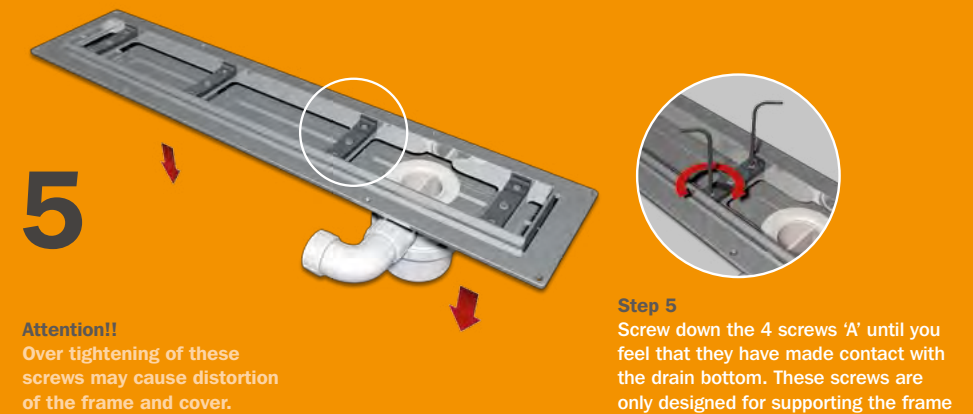
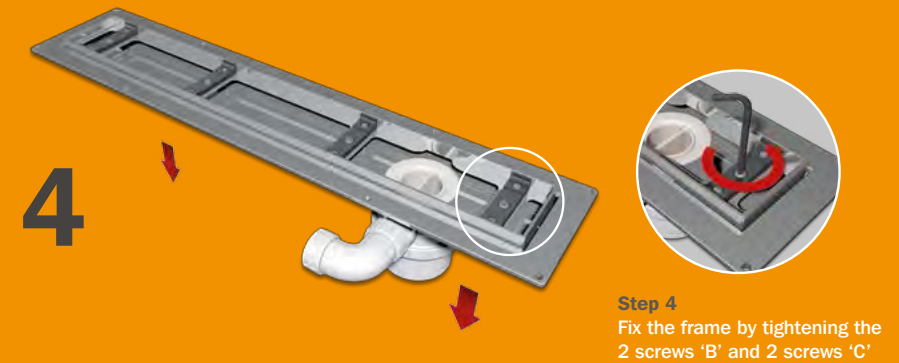
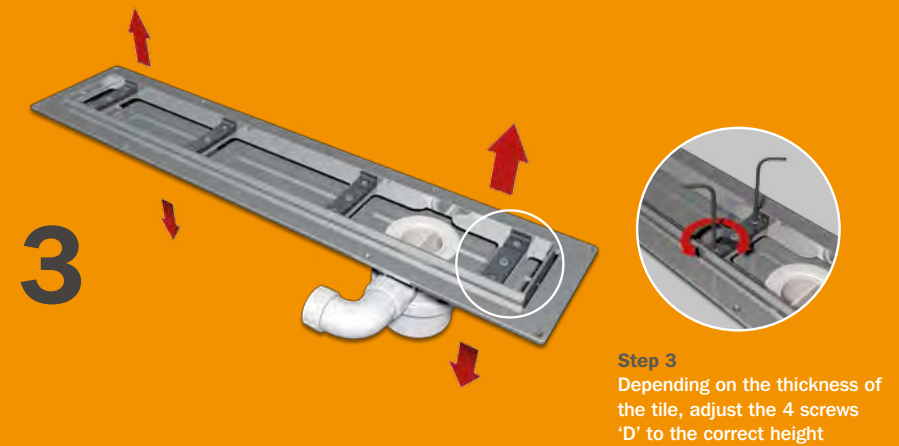
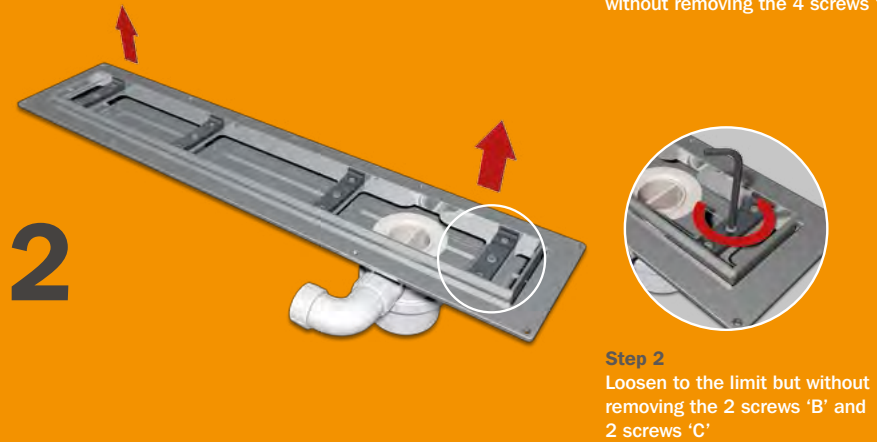
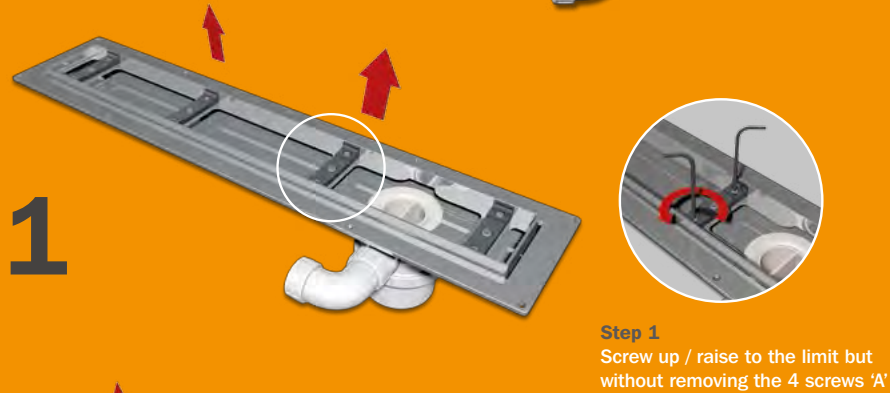
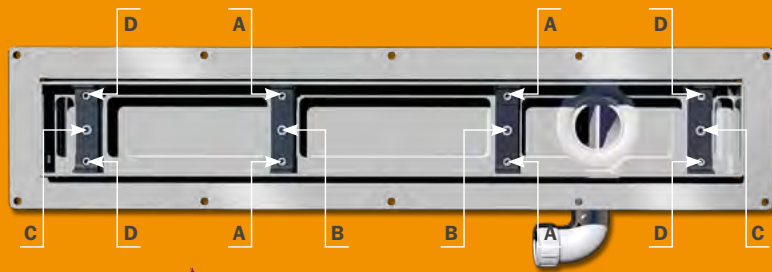


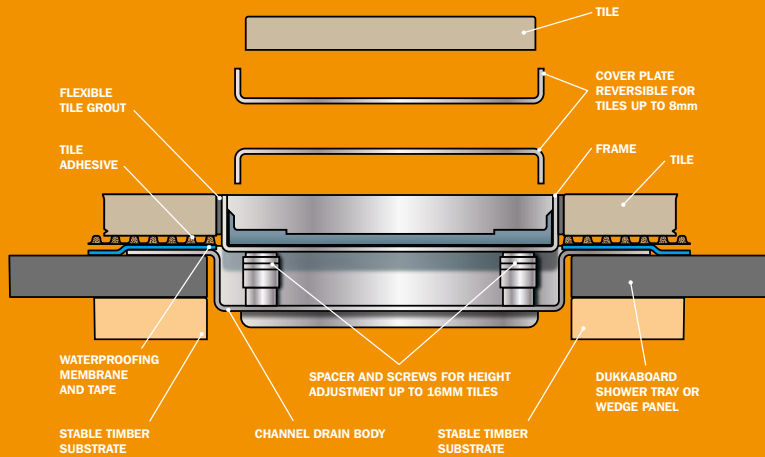
# Dukkaboard® CHANNELE-DRAIN



**Installation guidelines for Dukkaboard E-DRAIN**  
**Channel drain for tiled floors**

**Adjustment Instructions**  
**DD-BA-0600**

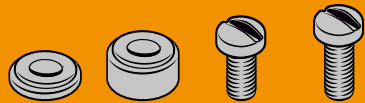
# Dukkaboard® CHANNELE-DRAIN



#### Channel Drain can be used in conjunction with:

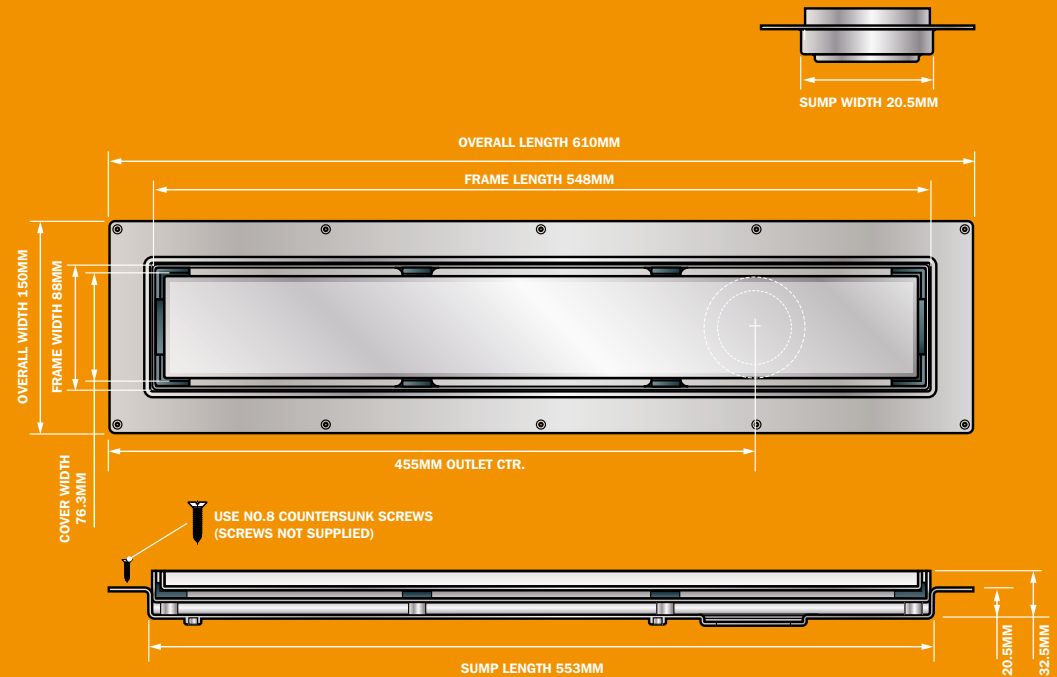
- Dukkaboard Shower Tray and Wedge Panel
- A gradient to the Channel Drain of 1:40 should be provided and a waterproofing membrane or tanking system must be installed.
- Waterproof tile adhesive and flexible tile grout should always be used.
- The Frame without Spacers suits tiles up to 8mm.
- Plastic Spacers and 15mm screws enable Frame adjustment to suit 10-16mm tiles.
- Cover Plate is reversible to accommodate tiles up to 8mm.

Dukkaboard® Channel Drain should only be installed by a competent plumber and/or specialist flooring contractor.



2MM, 4MM PLASTIC SPACERS AND 10MM, 15MM SCREWS

#### DD-BA-0600 CHANNEL DRAIN SIZING



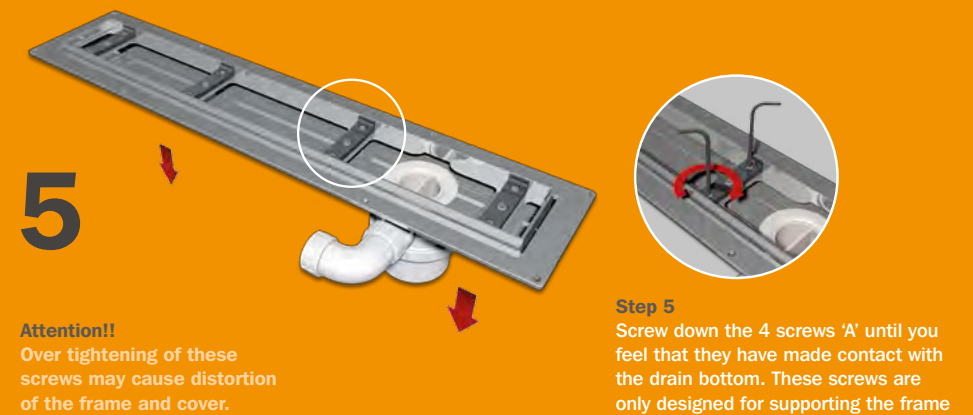
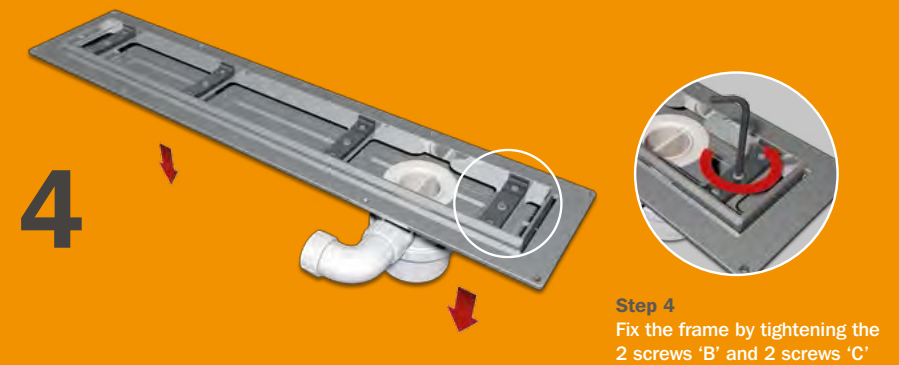
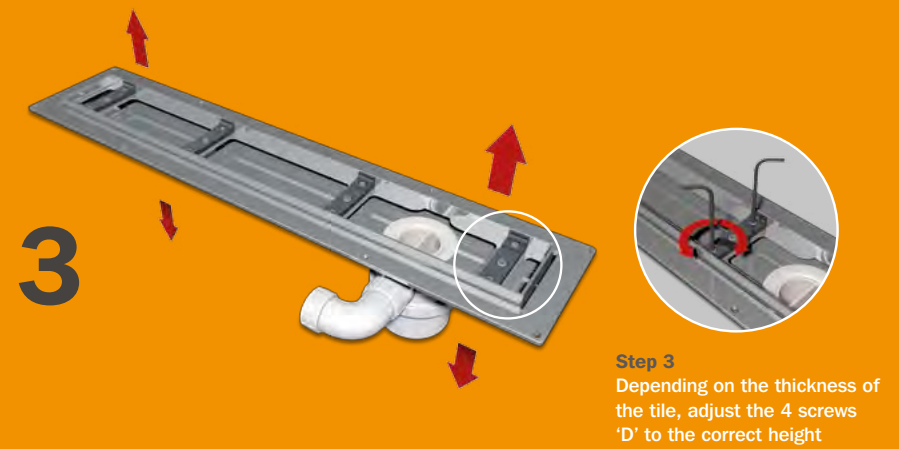
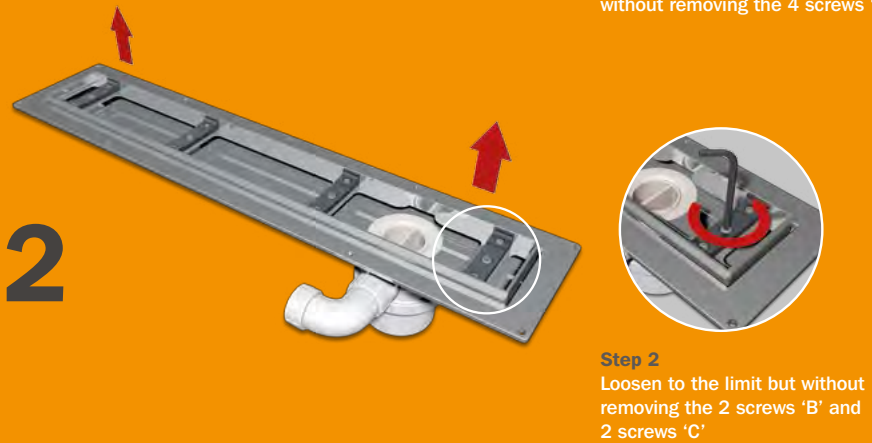
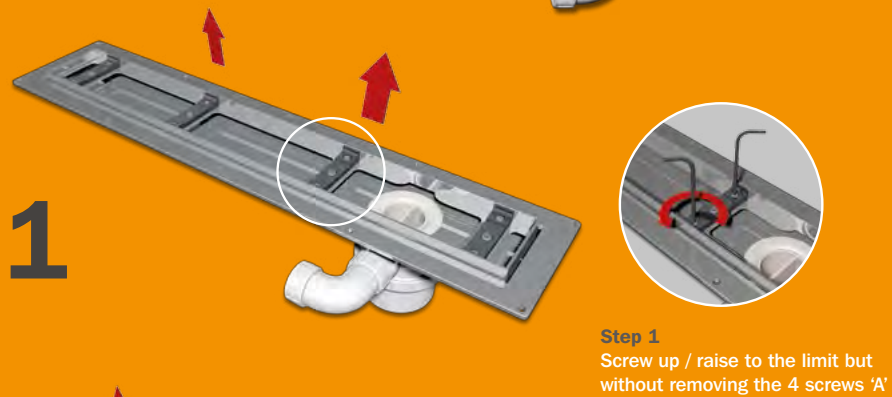
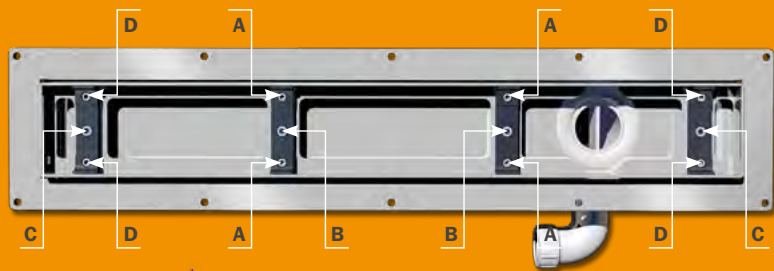
#### DD-BA-0600 CHANNEL DRAIN FOR TILED FLOORS FOR USE WITH TILES 8mm - 16mm

- 1 x Cover Plate - Reversible
- 1 x Frame
- 1 x Channel Drain Body
- 1 x 1½" x 50mm Water Seal Trap with Top Access
- 2 x Centre Plastic Guides with four 10mm screws
- 2 x End Plastic Guides with four 10mm screws
- 1 x Fittings bag containing:
  - 8 x 15mm Screws
  - 8 x 4mm Plastic Spacers
  - 16 x 2mm Plastic Spacers
- 1 x Suction Pad. (For Removing Cover Plate)

Installation guidelines for Dukkaboard E-DRAIN  
Channel drain for tiled floors

Specification  
DD-BA-0600

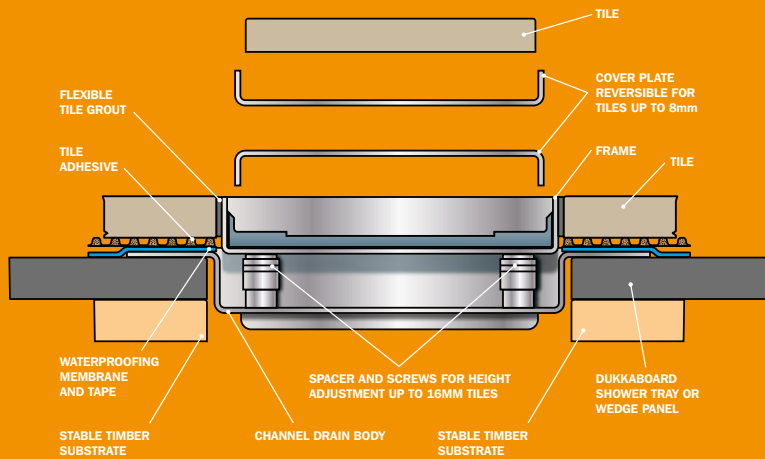
# Dukkaboard® CHANNELE-DRAIN



**Installation guidelines for Dukkaboard E-DRAIN**  
**Channel drain for tiled floors**

**Adjustment Instructions**  
**DD-BA-0800**

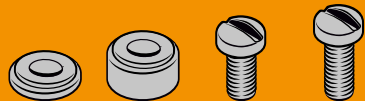
# Dukkaboard® CHANNELE-DRAIN



#### Channel Drain can be used in conjunction with:

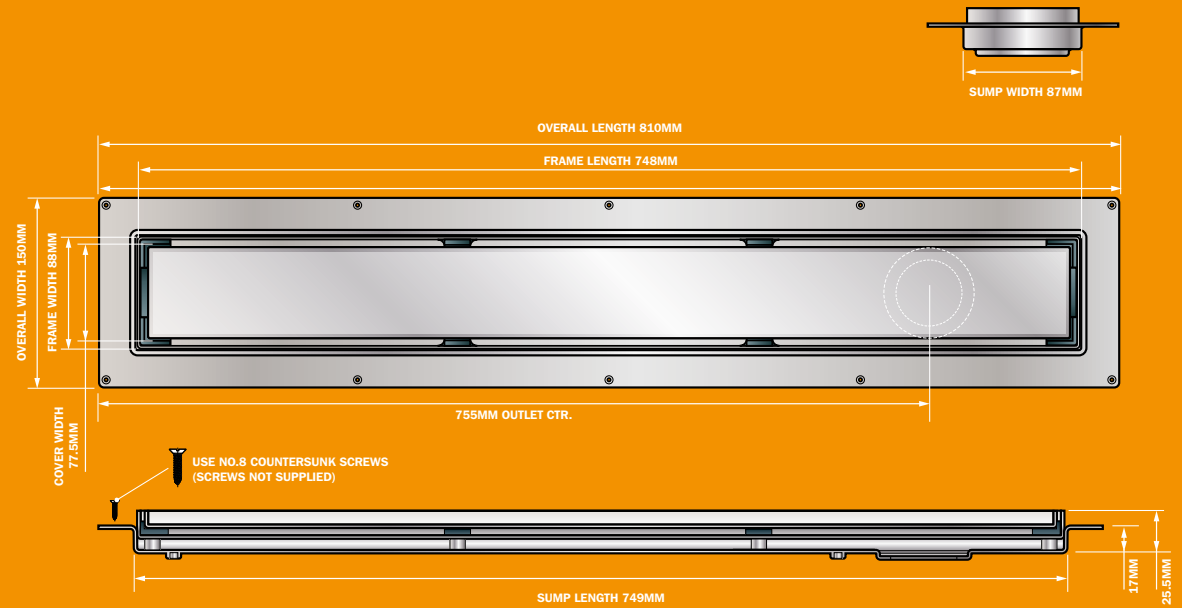
- Dukkaboard Shower Tray and Wedge Panel
- A gradient to the Channel Drain of 1:40 should be provided and a waterproofing membrane or tanking system must be installed.
- Waterproof tile adhesive and flexible tile grout should always be used.
- The Frame without Spacers suits tiles up to 8mm.
- Plastic Spacers and 15mm screws enable Frame adjustment to suit 10-16mm tiles.
- Cover Plate is reversible to accommodate tiles up to 8mm.

Dukkaboard® Channel Drain should only be installed by a competent plumber and/or specialist flooring contractor.



2MM, 4MM PLASTIC SPACERS AND 10MM, 15MM SCREWS

#### DD-BA-0800 CHANNEL DRAIN SIZING



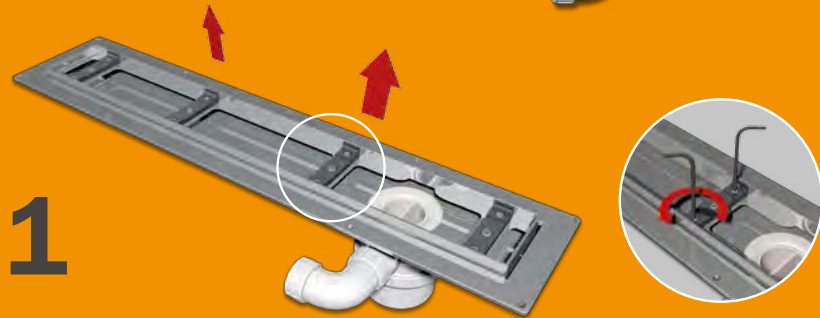
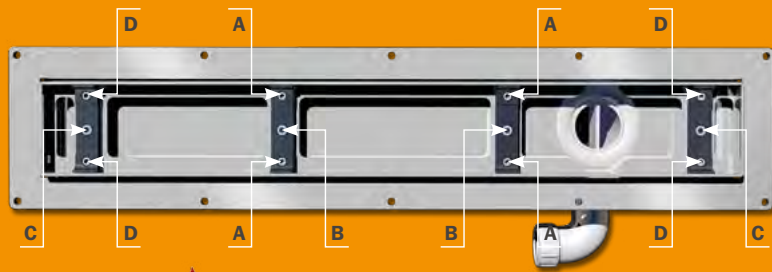
#### DD-BA-0800 CHANNEL DRAIN FOR TILED FLOORS FOR USE WITH TILES 8mm - 16mm

- 1 x Cover Plate - Reversible
- 1 x Frame
- 1 x Channel Drain Body
- 1 x 1½" x 50mm Water Seal Trap with Top Access
- 2 x Centre Plastic Guides with four 10mm screws
- 2 x End Plastic Guides with four 10mm screws
- 1 x Fittings bag containing:
  - 8 x 15mm Screws
  - 8 x 4mm Plastic Spacers
  - 16 x 2mm Plastic Spacers
- 1 x Suction Pad. (For Removing Cover Plate)

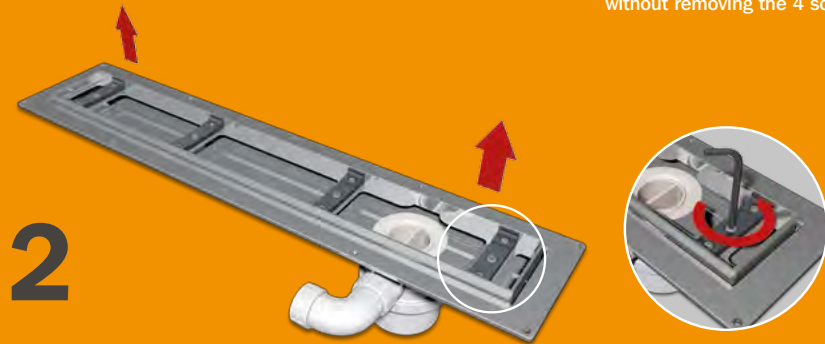
Installation guidelines for Dukkaboard E-DRAIN  
Channel drain for tiled floors

Specification  
DD-BA-0800

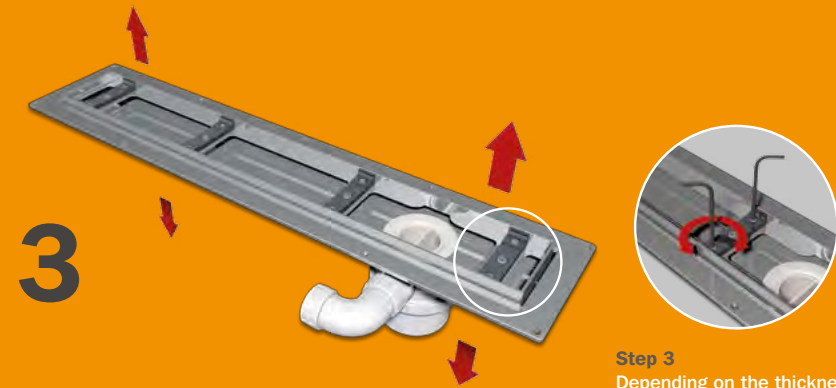
# Dukkaboard® CHANNELE-DRAIN



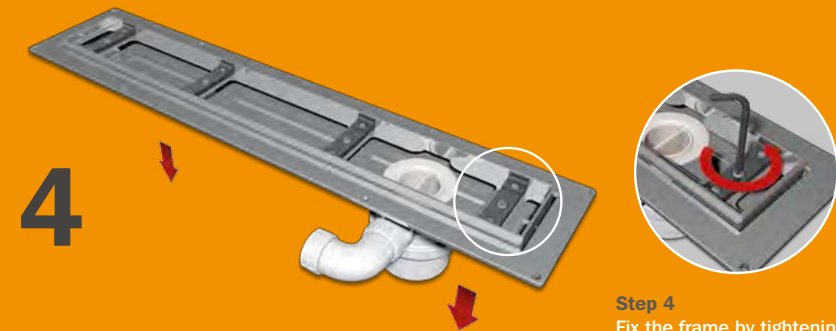
**Step 1**  
Screw up / raise to the limit but  
without removing the 4 screws 'A'



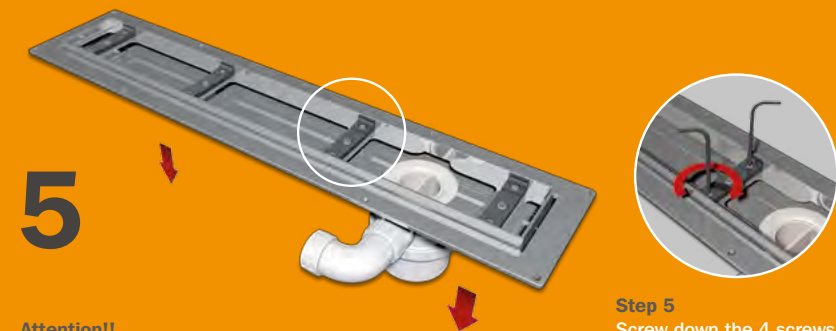
**Step 2**  
Loosen to the limit but without  
removing the 2 screws 'B' and  
2 screws 'C'



**Step 3**  
Depending on the thickness of  
the tile, adjust the 4 screws  
'D' to the correct height



**Step 4**  
Fix the frame by tightening the  
2 screws 'B' and 2 screws 'C'



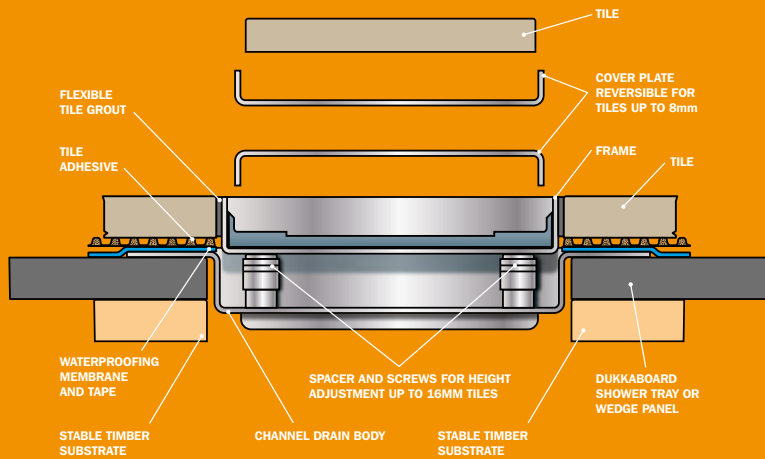
**Attention!!**  
Over tightening of these  
screws may cause distortion  
of the frame and cover.

**Step 5**  
Screw down the 4 screws 'A' until you  
feel that they have made contact with  
the drain bottom. These screws are  
only designed for supporting the frame

**Installation guidelines for Dukkaboard E-DRAIN**  
Channel drain for tiled floors

**Adjustment Instructions**  
DD-BA-0900

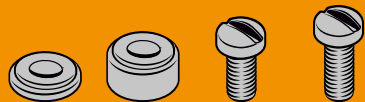
# Dukkaboard® CHANNELE-DRAIN



## Channel Drain can be used in conjunction with:

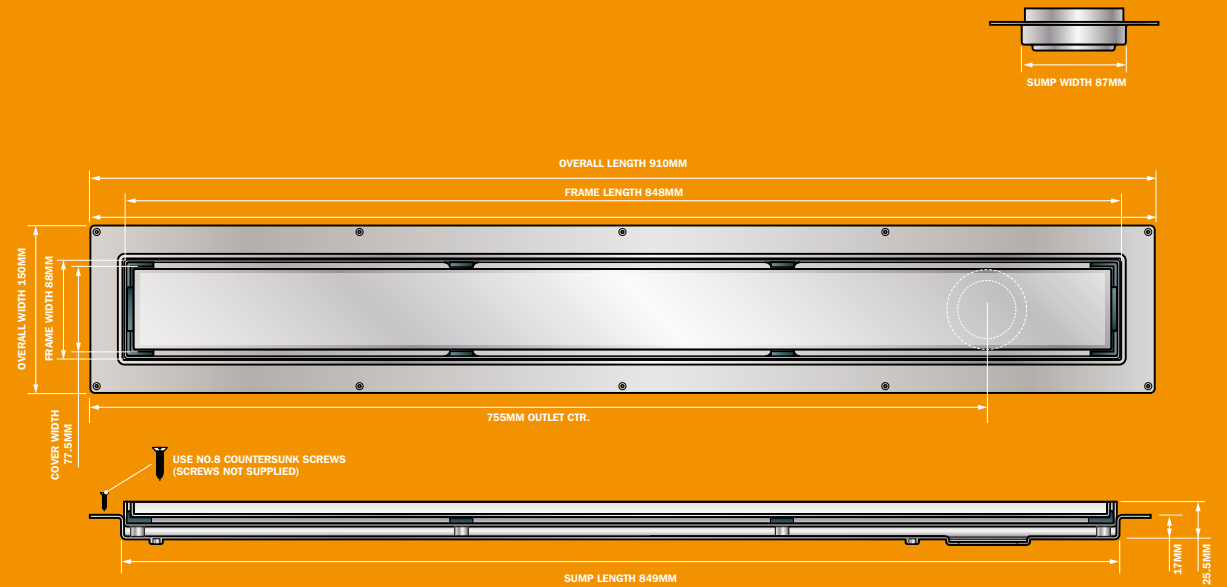
- Dukkaboard Shower Tray and Wedge Panel
- A gradient to the Channel Drain of 1:40 should be provided and a waterproofing membrane or tanking system must be installed.
- Waterproof tile adhesive and flexible tile grout should always be used.
- The Frame without Spacers suits tiles up to 8mm.
- Plastic Spacers and 15mm screws enable Frame adjustment to suit 10-16mm tiles.
- Cover Plate is reversible to accommodate tiles up to 8mm.

Dukkaboard® Channel Drain should only be installed by a competent plumber and/or specialist flooring contractor.



2MM, 4MM PLASTIC SPACERS AND 10MM, 15MM SCREWS

## DD-BA-0900 CHANNEL DRAIN SIZING



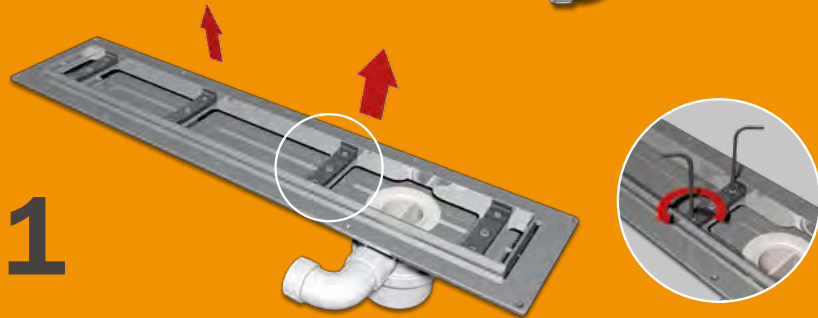
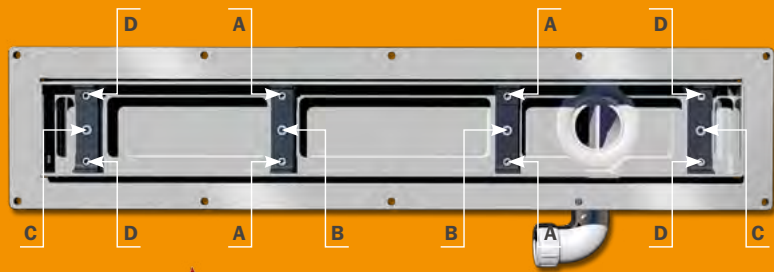
## DD-BA-0900 CHANNEL DRAIN FOR TILED FLOORS FOR USE WITH TILES 8mm - 16mm

- 1 x Cover Plate - Reversible
- 1 x Frame
- 1 x Channel Drain Body
- 1 x 1½" x 50mm Water Seal Trap with Top Access
- 2 x Centre Plastic Guides with four 10mm screws
- 2 x End Plastic Guides with four 10mm screws
- 1 x Fittings bag containing:
  - 8 x 15mm Screws
  - 8 x 4mm Plastic Spacers
  - 16 x 2mm Plastic Spacers
- 1 x Suction Pad. (For Removing Cover Plate)

**Installation guidelines for Dukkaboard E-DRAIN**  
**Channel drain for tiled floors**

**Specification**  
**DD-BA-0900**

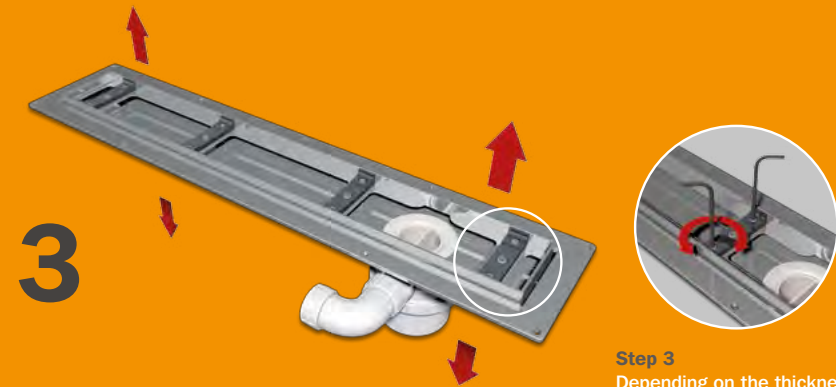
# Dukkaboard® CHANNELE-DRAIN



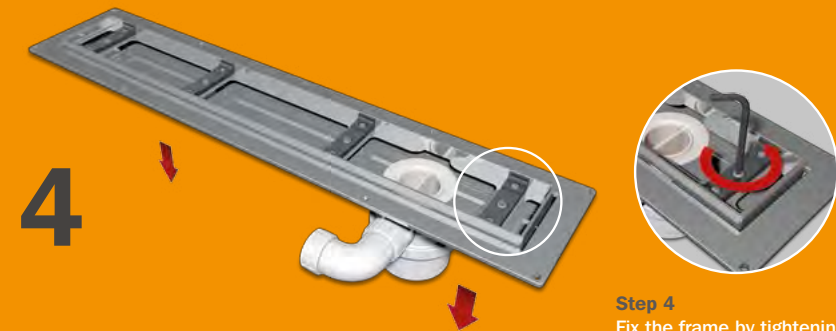
**Step 1**  
Screw up / raise to the limit but  
without removing the 4 screws 'A'



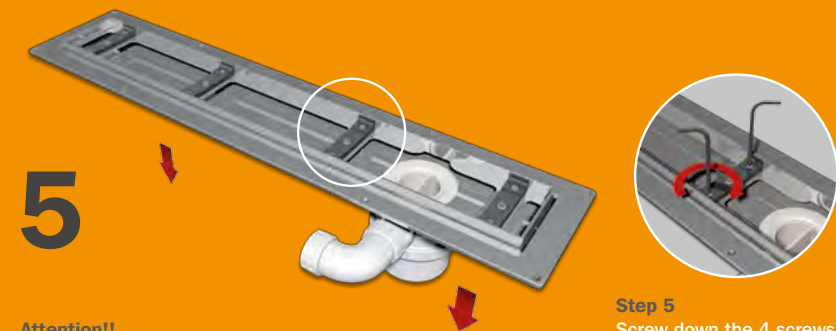
**Step 2**  
Loosen to the limit but without  
removing the 2 screws 'B' and  
2 screws 'C'



**Step 3**  
Depending on the thickness of  
the tile, adjust the 4 screws  
'D' to the correct height



**Step 4**  
Fix the frame by tightening the  
2 screws 'B' and 2 screws 'C'



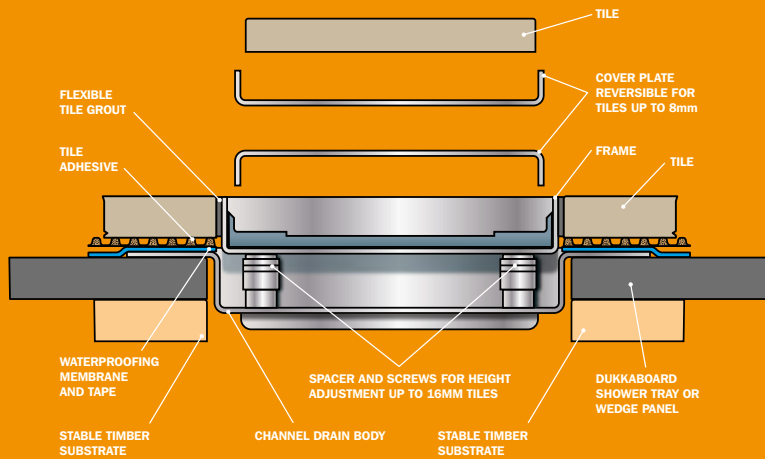
**Attention!!**  
Over tightening of these  
screws may cause distortion  
of the frame and cover.

**Step 5**  
Screw down the 4 screws 'A' until you  
feel that they have made contact with  
the drain bottom. These screws are  
only designed for supporting the frame

**Installation guidelines for Dukkaboard E-DRAIN**  
Channel drain for tiled floors

**Adjustment Instructions**  
DD-BA-1000

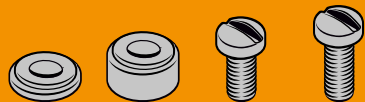
# Dukkaboard® CHANNELE-DRAIN



## Channel Drain can be used in conjunction with:

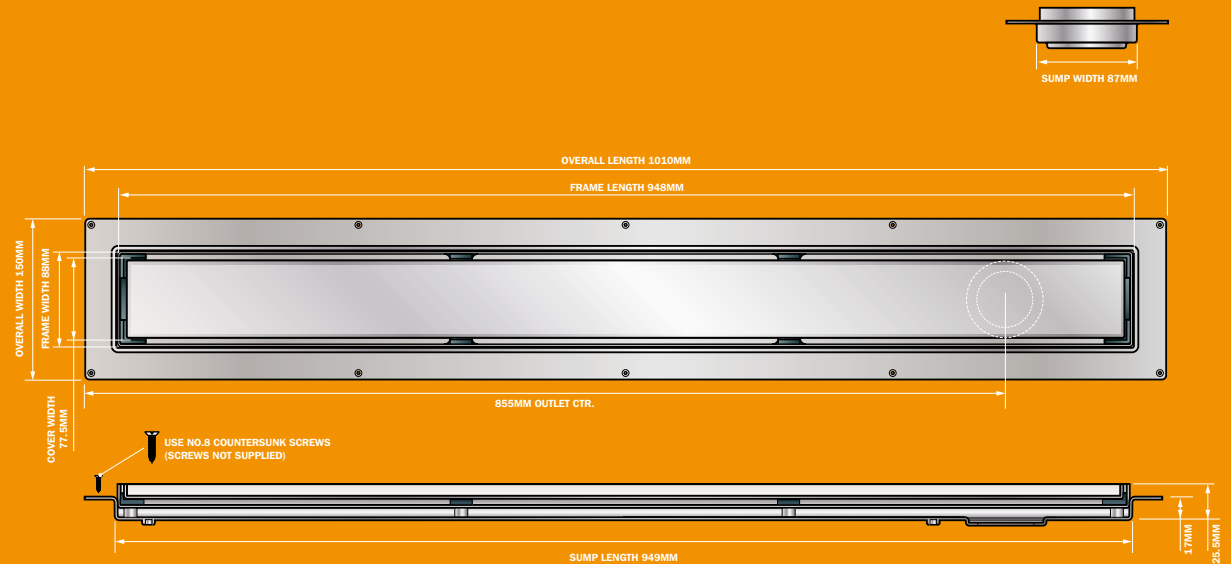
- Dukkaboard Shower Tray and Wedge Panel
- A gradient to the Channel Drain of 1:40 should be provided and a waterproofing membrane or tanking system must be installed.
- Waterproof tile adhesive and flexible tile grout should always be used.
- The Frame without Spacers suits tiles up to 8mm.
- Plastic Spacers and 15mm screws enable Frame adjustment to suit 10-16mm tiles.
- Cover Plate is reversible to accommodate tiles up to 8mm.

Dukkaboard® Channel Drain should only be installed by a competent plumber and/or specialist flooring contractor.



2MM, 4MM PLASTIC SPACERS AND 10MM, 15MM SCREWS

## DD-BA-1000 CHANNEL DRAIN SIZING



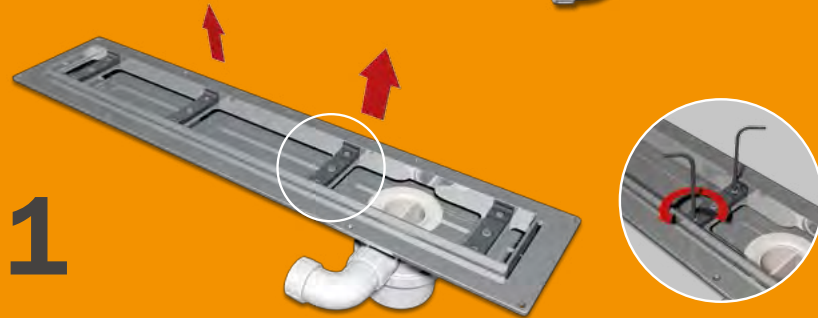
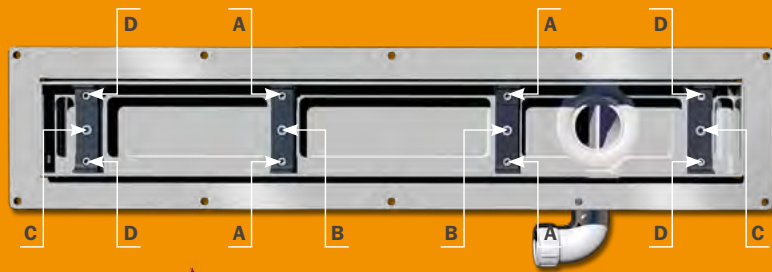
## DD-BA-1000 CHANNEL DRAIN FOR TILED FLOORS FOR USE WITH TILES 8mm - 16mm

- 1 x Cover Plate - Reversible
- 1 x Frame
- 1 x Channel Drain Body
- 1 x 1½" x 50mm Water Seal Trap with Top Access
- 2 x Centre Plastic Guides with four 10mm screws
- 2 x End Plastic Guides with four 10mm screws
- 1 x Fittings bag containing:
  - 8 x 15mm Screws
  - 8 x 4mm Plastic Spacers
  - 16 x 2mm Plastic Spacers
- 1 x Suction Pad. (For Removing Cover Plate)

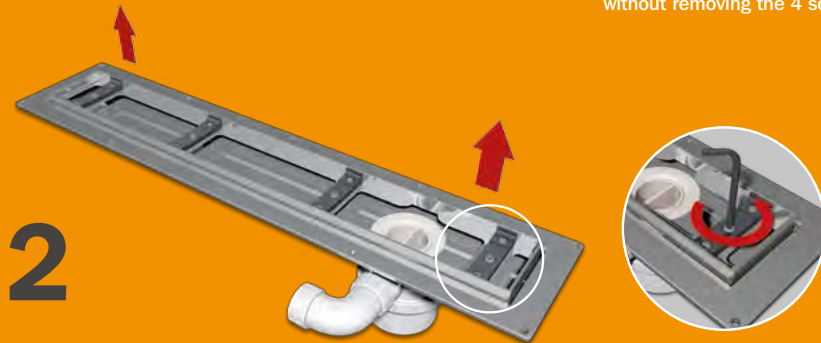
Installation guidelines for Dukkaboard E-DRAIN  
Channel drain for tiled floors

Specification  
DD-BA-1000

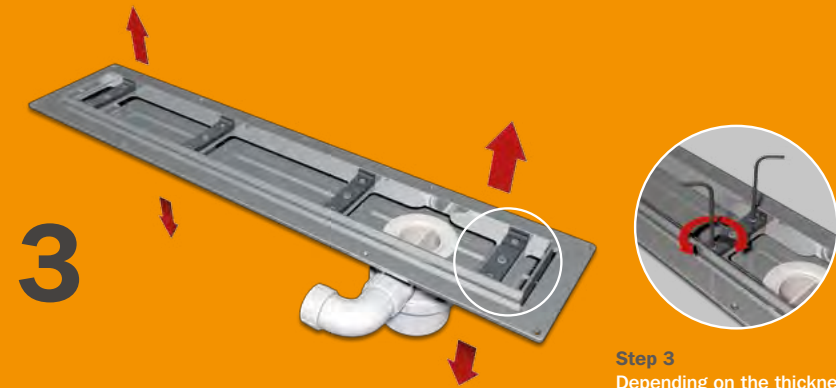
# Dukkaboard® CHANNELE-DRAIN



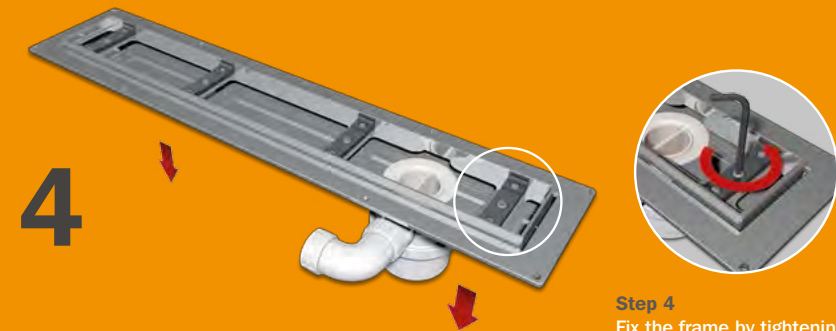
**Step 1**  
Screw up / raise to the limit but  
without removing the 4 screws 'A'



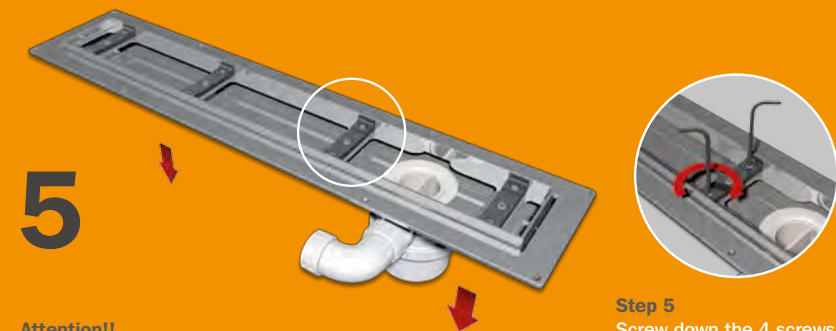
**Step 2**  
Loosen to the limit but without  
removing the 2 screws 'B' and  
2 screws 'C'



**Step 3**  
Depending on the thickness of  
the tile, adjust the 4 screws  
'D' to the correct height



**Step 4**  
Fix the frame by tightening the  
2 screws 'B' and 2 screws 'C'



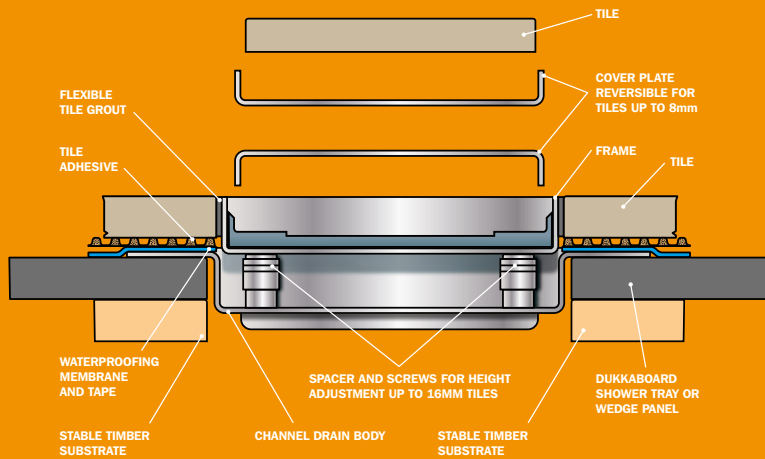
**Attention!!**  
Over tightening of these  
screws may cause distortion  
of the frame and cover.

**Step 5**  
Screw down the 4 screws 'A' until you  
feel that they have made contact with  
the drain bottom. These screws are  
only designed for supporting the frame

**Installation guidelines for Dukkaboard E-DRAIN**  
Channel drain for tiled floors

**Adjustment Instructions**  
DD-PA-0600

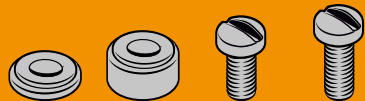
# Dukkaboard® CHANNELE-DRAIN



#### Channel Drain can be used in conjunction with:

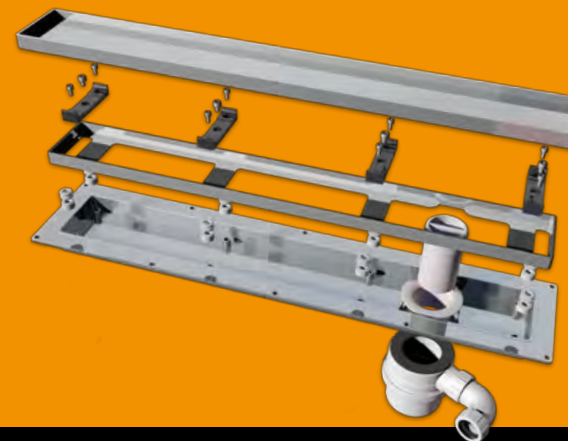
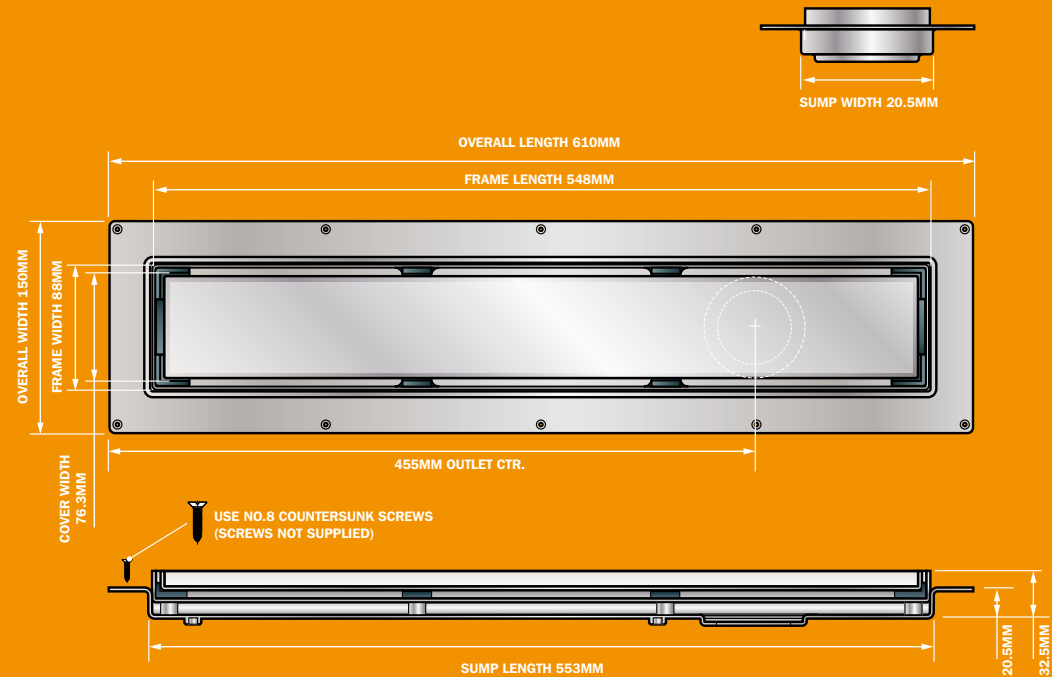
- Dukkaboard Shower Tray and Wedge Panel
- A gradient to the Channel Drain of 1:40 should be provided and a waterproofing membrane or tanking system must be installed.
- Waterproof tile adhesive and flexible tile grout should always be used.
- The Frame without Spacers suits tiles up to 8mm.
- Plastic Spacers and 15mm screws enable Frame adjustment to suit 10-16mm tiles.
- Cover Plate is reversible to accommodate tiles up to 8mm.

Dukkaboard® Channel Drain should only be installed by a competent plumber and/or specialist flooring contractor.



2MM, 4MM PLASTIC SPACERS AND 10MM, 15MM SCREWS

#### DD-PA-0600 CHANNEL DRAIN SIZING



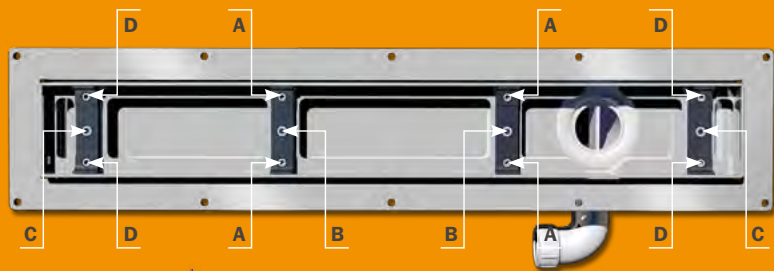
#### DD-PA-0600 CHANNEL DRAIN FOR TILED FLOORS FOR USE WITH TILES 8mm - 16mm

- 1 x Cover Plate - Reversible
- 1 x Frame
- 1 x Channel Drain Body
- 1 x 1½" x 50mm Water Seal Trap with Top Access
- 2 x Centre Plastic Guides with four 10mm screws
- 2 x End Plastic Guides with four 10mm screws
- 1 x Fittings bag containing:
  - 8 x 15mm Screws
  - 8 x 4mm Plastic Spacers
  - 16 x 2mm Plastic Spacers
- 1 x Suction Pad. (For Removing Cover Plate)

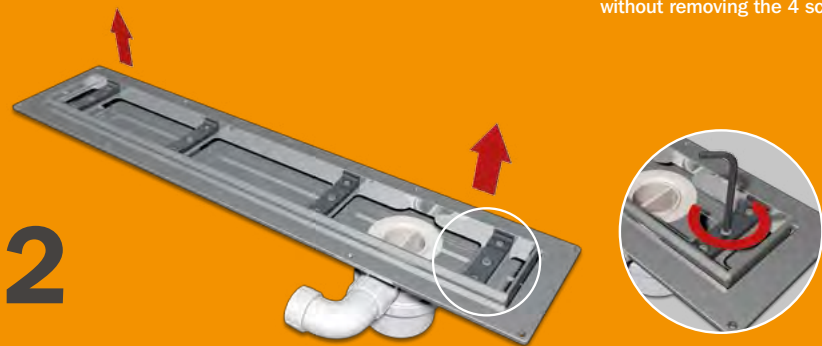
Installation guidelines for Dukkaboard E-DRAIN  
Channel drain for tiled floors

Specification  
DD-PA-0600

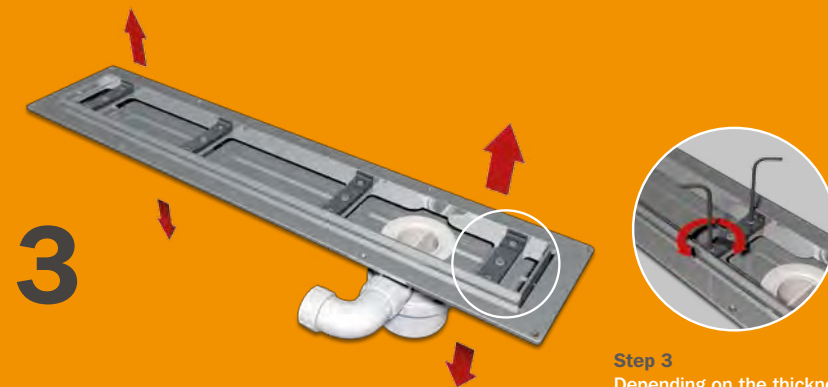
# Dukkaboard® CHANNELE-DRAIN



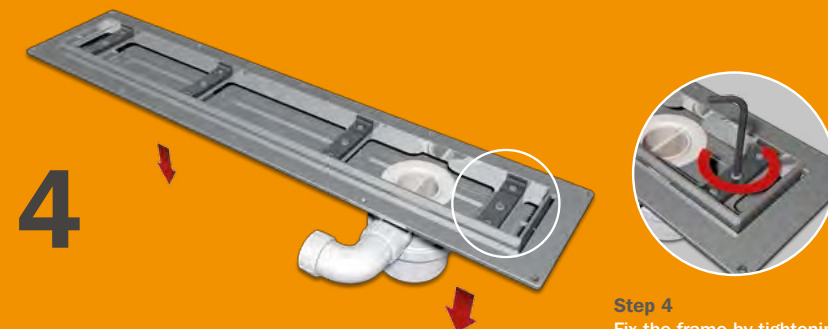
**Step 1**  
Screw up / raise to the limit but without removing the 4 screws 'A'



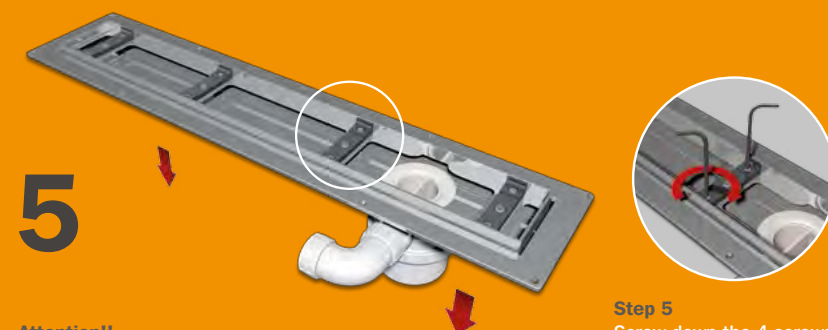
**Step 2**  
Loosen to the limit but without removing the 2 screws 'B' and 2 screws 'C'



**Step 3**  
Depending on the thickness of the tile, adjust the 4 screws 'D' to the correct height



**Step 4**  
Fix the frame by tightening the 2 screws 'B' and 2 screws 'C'



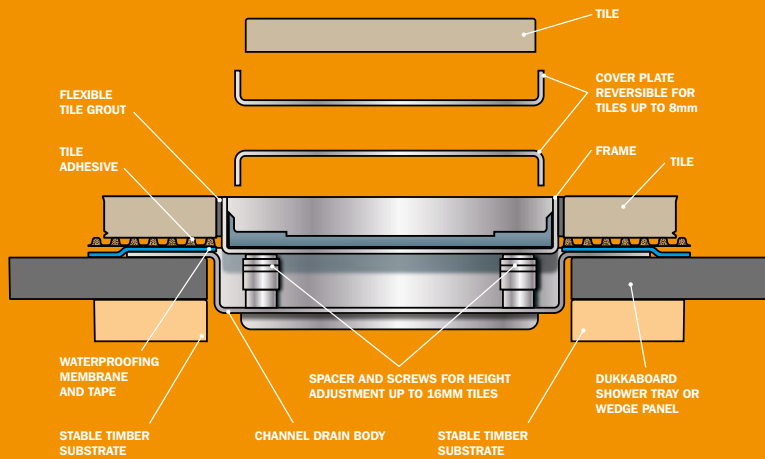
**Attention!!**  
Over tightening of these screws may cause distortion of the frame and cover.

**Step 5**  
Screw down the 4 screws 'A' until you feel that they have made contact with the drain bottom. These screws are only designed for supporting the frame

**Installation guidelines for Dukkaboard E-DRAIN**  
Channel drain for tiled floors

**Adjustment Instructions**  
DD-PA-0800

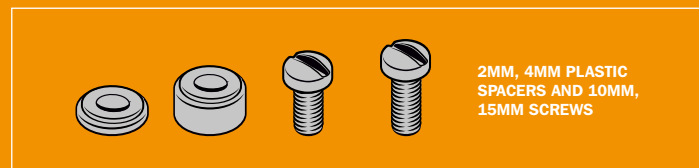
# Dukkaboard® CHANNELE-DRAIN



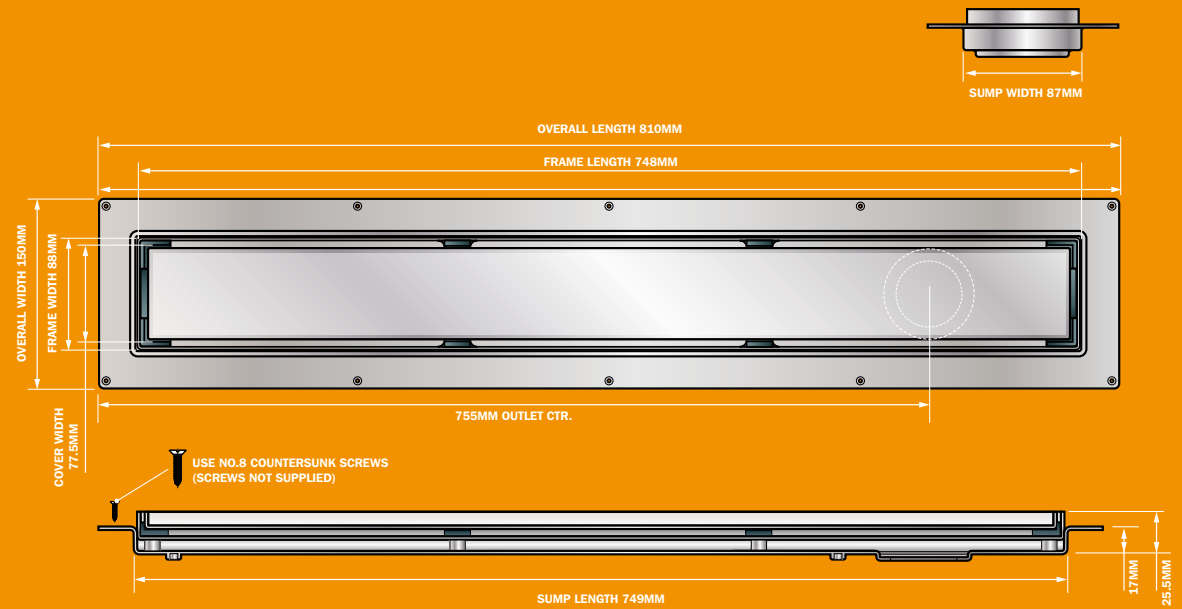
#### Channel Drain can be used in conjunction with:

- Dukkaboard Shower Tray and Wedge Panel
- A gradient to the Channel Drain of 1:40 should be provided and a waterproofing membrane or tanking system must be installed.
- Waterproof tile adhesive and flexible tile grout should always be used.
- The Frame without Spacers suits tiles up to 8mm.
- Plastic Spacers and 15mm screws enable Frame adjustment to suit 10-16mm tiles.
- Cover Plate is reversible to accommodate tiles up to 8mm.

Dukkaboard® Channel Drain should only be installed by a competent plumber and/or specialist flooring contractor.



#### DD-PA-0800 CHANNEL DRAIN SIZING



#### DD-PA-0800 CHANNEL DRAIN FOR TILED FLOORS FOR USE WITH TILES 8mm - 16mm

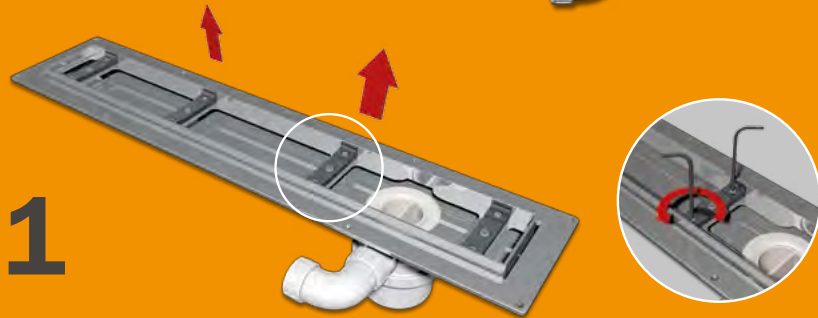
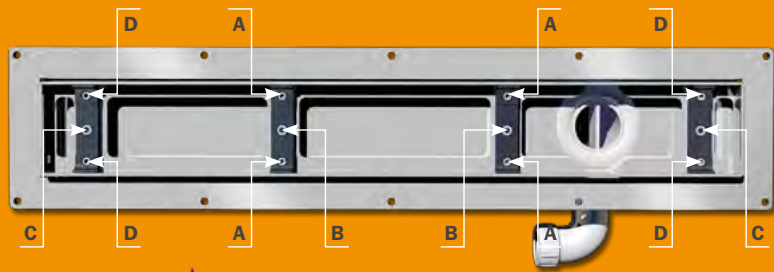
- 1 x Cover Plate - Reversible
- 1 x Frame
- 1 x Channel Drain Body
- 1 x 1½" x 50mm Water Seal Trap with Top Access
- 2 x Centre Plastic Guides with four 10mm screws
- 2 x End Plastic Guides with four 10mm screws
- 1 x Fittings bag containing:
  - 8 x 15mm Screws
  - 8 x 4mm Plastic Spacers
  - 16 x 2mm Plastic Spacers
- 1 x Suction Pad. (For Removing Cover Plate)

**Installation guidelines for Dukkaboard E-DRAIN**  
**Channel drain for tiled floors**

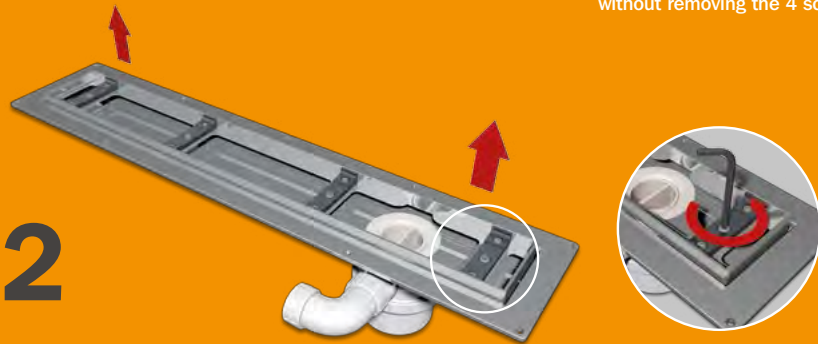
**Specification**  
**DD-PA-0800**

# Dukkaboard®

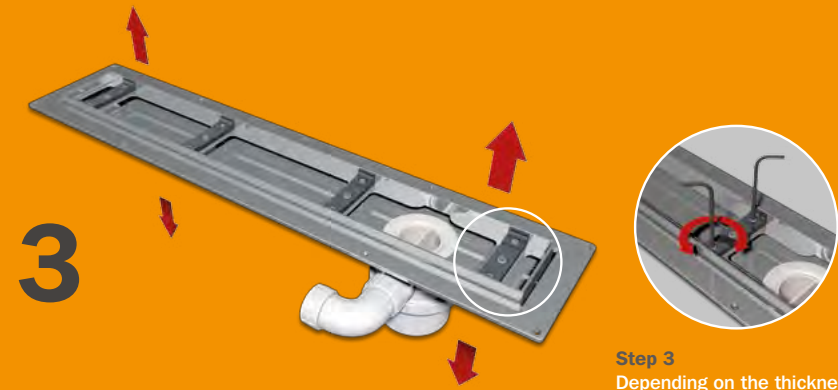
## CHANNELE-DRAIN



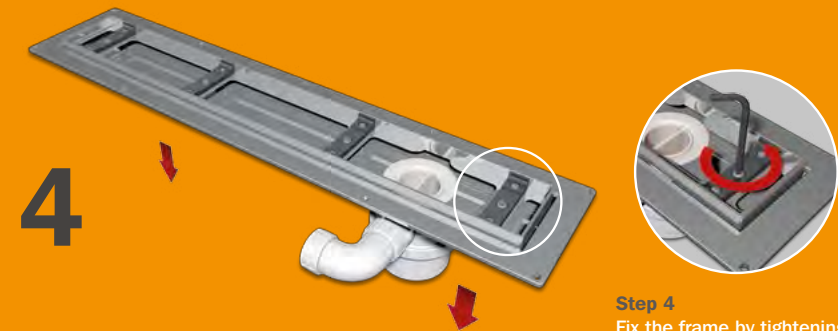
**Step 1**  
Screw up / raise to the limit but without removing the 4 screws 'A'



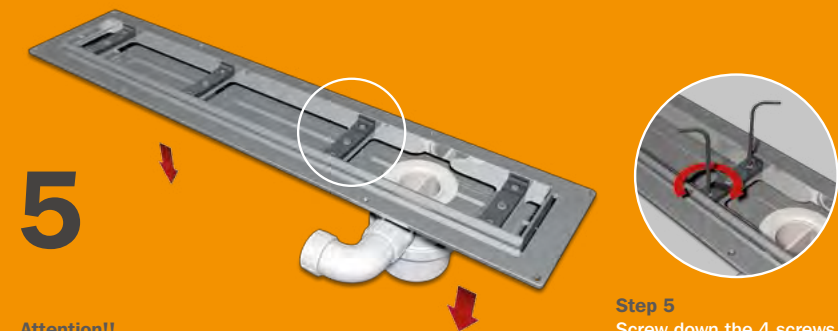
**Step 2**  
Loosen to the limit but without removing the 2 screws 'B' and 2 screws 'C'



**Step 3**  
Depending on the thickness of the tile, adjust the 4 screws 'D' to the correct height



**Step 4**  
Fix the frame by tightening the 2 screws 'B' and 2 screws 'C'



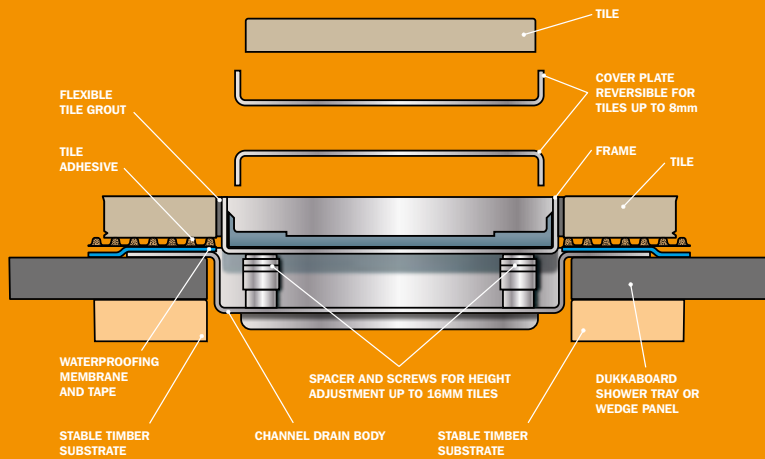
**Attention!!**  
Over tightening of these screws may cause distortion of the frame and cover.

**Step 5**  
Screw down the 4 screws 'A' until you feel that they have made contact with the drain bottom. These screws are only designed for supporting the frame

**Installation guidelines for Dukkaboard E-DRAIN**  
Channel drain for tiled floors

**Adjustment Instructions**  
DD-PA-0900

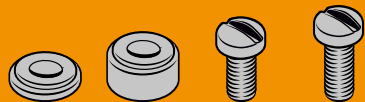
# Dukkaboard® CHANNELE-DRAIN



## Channel Drain can be used in conjunction with:

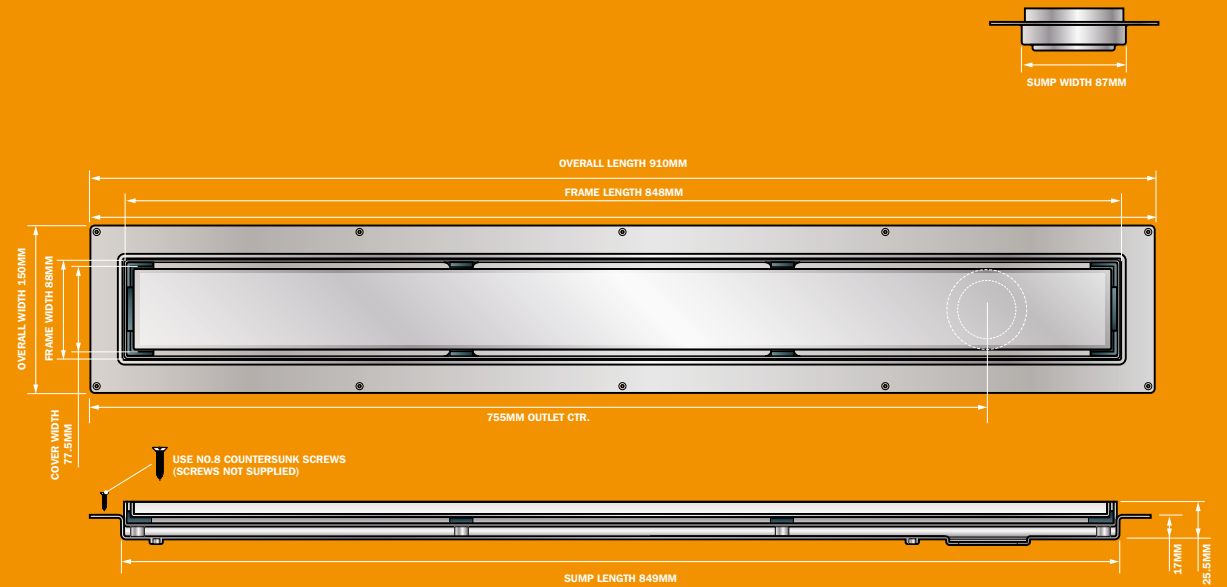
- Dukkaboard Shower Tray and Wedge Panel
- A gradient to the Channel Drain of 1:40 should be provided and a waterproofing membrane or tanking system must be installed.
- Waterproof tile adhesive and flexible tile grout should always be used.
- The Frame without Spacers suits tiles up to 8mm.
- Plastic Spacers and 15mm screws enable Frame adjustment to suit 10-16mm tiles.
- Cover Plate is reversible to accommodate tiles up to 8mm.

Dukkaboard® Channel Drain should only be installed by a competent plumber and/or specialist flooring contractor.



2MM, 4MM PLASTIC SPACERS AND 10MM, 15MM SCREWS

## DD-PA-0900 CHANNEL DRAIN SIZING



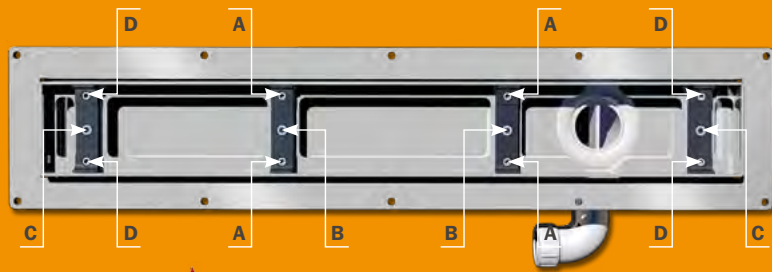
## DD-PA-0900 CHANNEL DRAIN FOR TILED FLOORS FOR USE WITH TILES 8mm - 16mm

- 1 x Cover Plate - Reversible
- 1 x Frame
- 1 x Channel Drain Body
- 1 x 1½" x 50mm Water Seal Trap with Top Access
- 2 x Centre Plastic Guides with four 10mm screws
- 2 x End Plastic Guides with four 10mm screws
- 1 x Fittings bag containing:
  - 8 x 15mm Screws
  - 8 x 4mm Plastic Spacers
  - 16 x 2mm Plastic Spacers
- 1 x Suction Pad. (For Removing Cover Plate)

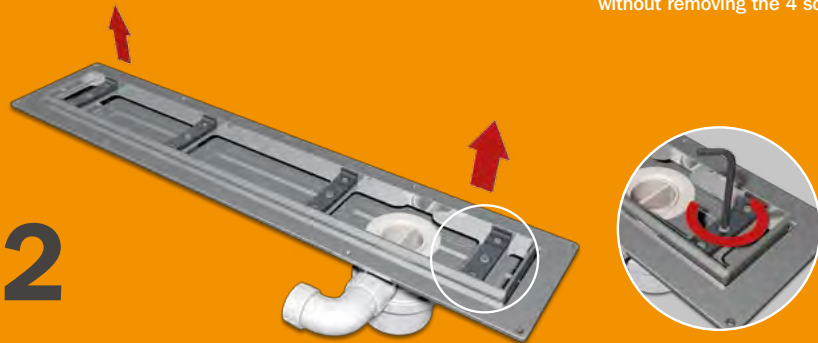
Installation guidelines for Dukkaboard E-DRAIN  
Channel drain for tiled floors

Specification  
DD-PA-0900

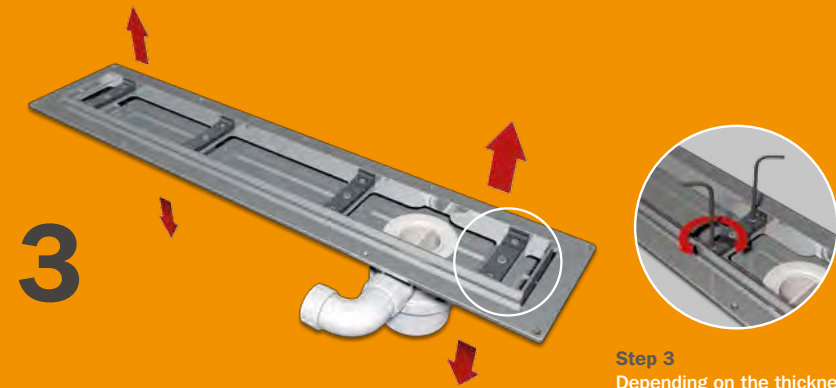
# Dukkaboard® CHANNELE-DRAIN



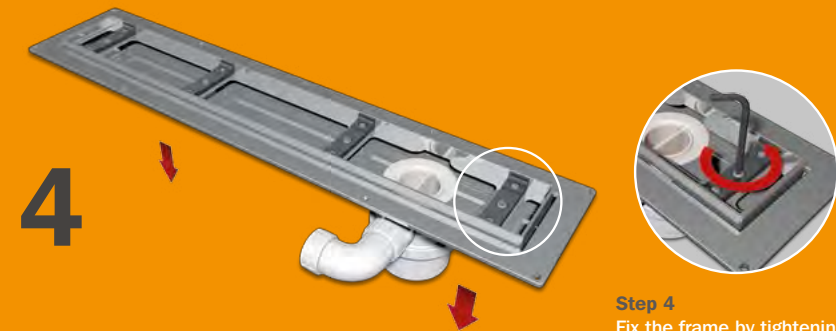
**Step 1**  
Screw up / raise to the limit but without removing the 4 screws 'A'



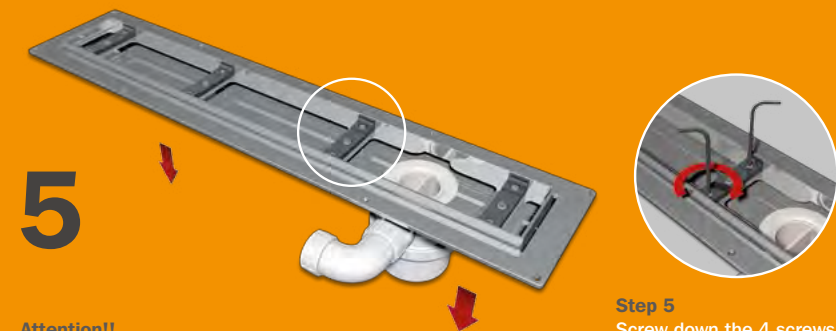
**Step 2**  
Loosen to the limit but without removing the 2 screws 'B' and 2 screws 'C'



**Step 3**  
Depending on the thickness of the tile, adjust the 4 screws 'D' to the correct height



**Step 4**  
Fix the frame by tightening the 2 screws 'B' and 2 screws 'C'



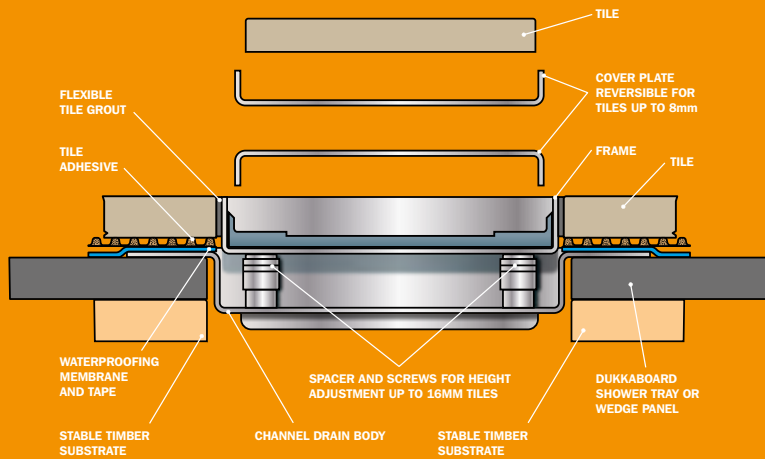
**Attention!!**  
Over tightening of these screws may cause distortion of the frame and cover.

**Step 5**  
Screw down the 4 screws 'A' until you feel that they have made contact with the drain bottom. These screws are only designed for supporting the frame

**Installation guidelines for Dukkaboard E-DRAIN**  
Channel drain for tiled floors

**Adjustment Instructions**  
DD-PA-1000

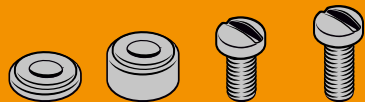
# Dukkaboard® CHANNELE-DRAIN



## Channel Drain can be used in conjunction with:

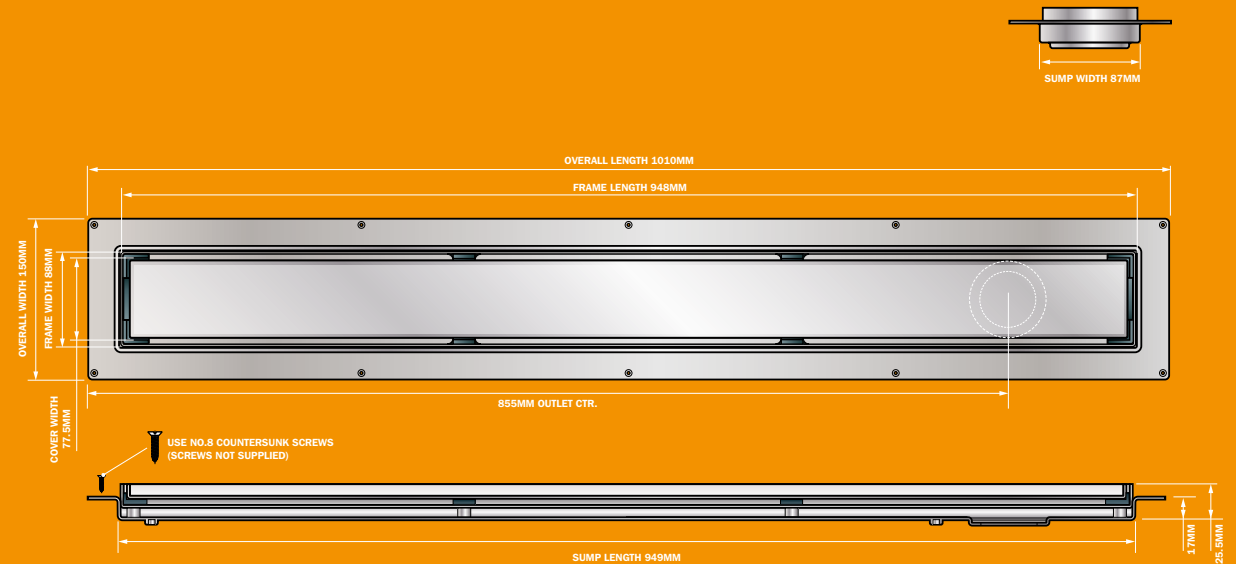
- Dukkaboard Shower Tray and Wedge Panel
- A gradient to the Channel Drain of 1:40 should be provided and a waterproofing membrane or tanking system must be installed.
- Waterproof tile adhesive and flexible tile grout should always be used.
- The Frame without Spacers suits tiles up to 8mm.
- Plastic Spacers and 15mm screws enable Frame adjustment to suit 10-16mm tiles.
- Cover Plate is reversible to accommodate tiles up to 8mm.

Dukkaboard® Channel Drain should only be installed by a competent plumber and/or specialist flooring contractor.



2MM, 4MM PLASTIC SPACERS AND 10MM, 15MM SCREWS

## DD-PA-1000 CHANNEL DRAIN SIZING



## DD-PA-1000 CHANNEL DRAIN FOR TILED FLOORS FOR USE WITH TILES 8mm - 16mm

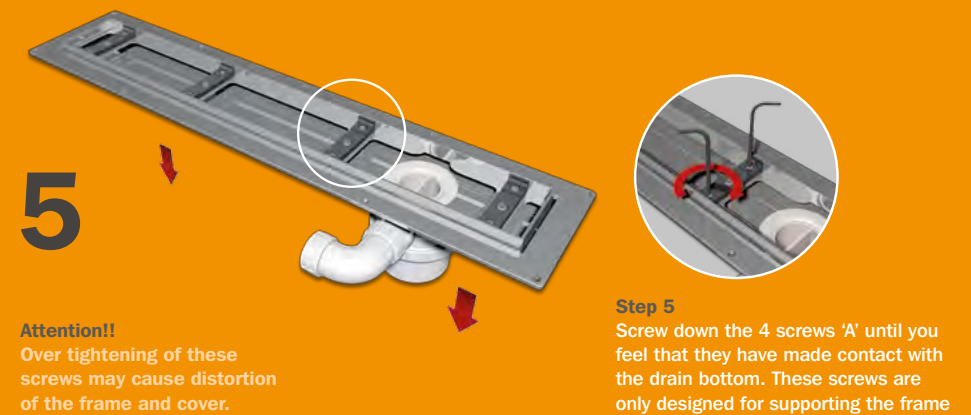
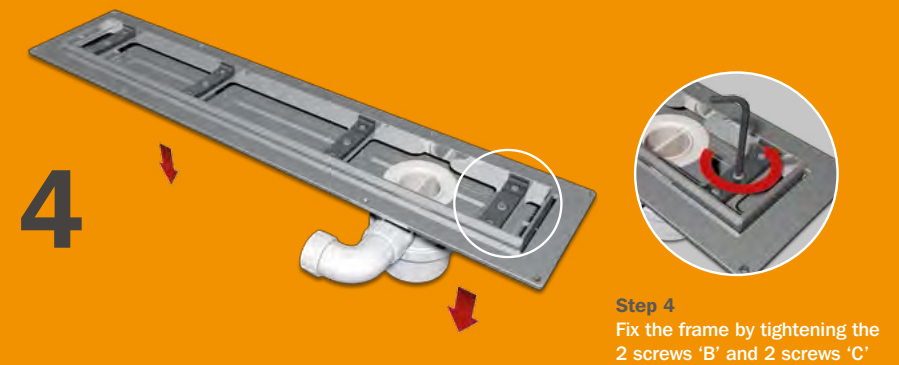
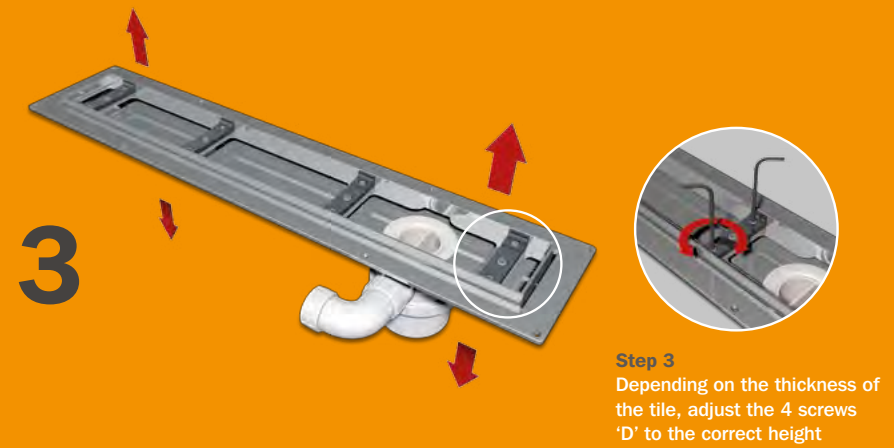
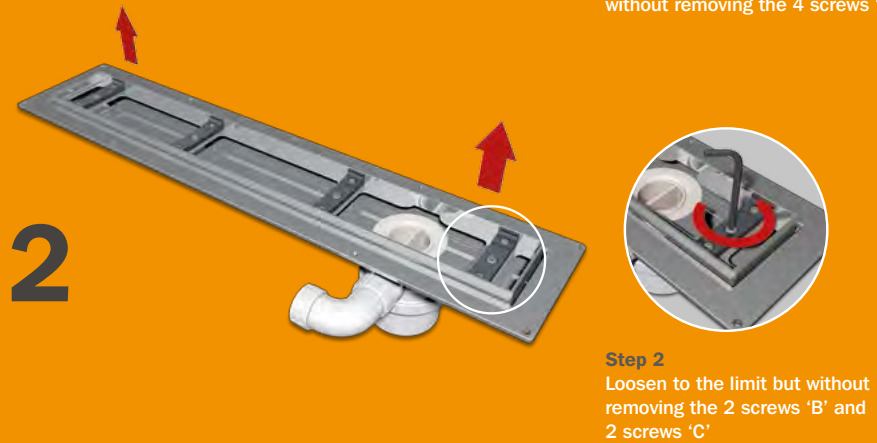
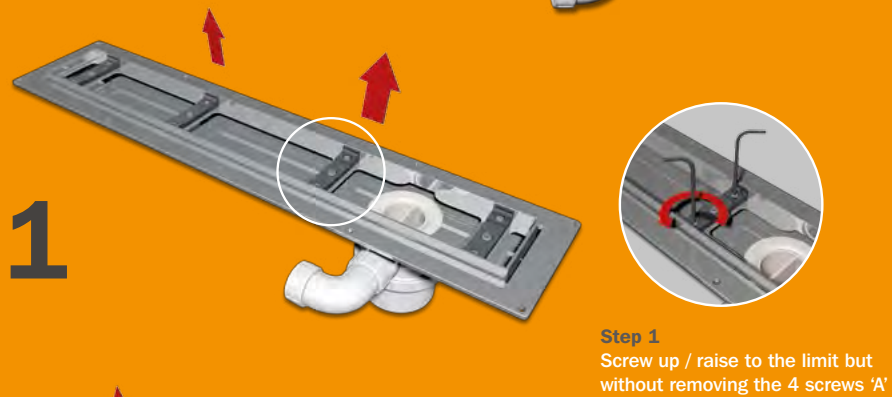
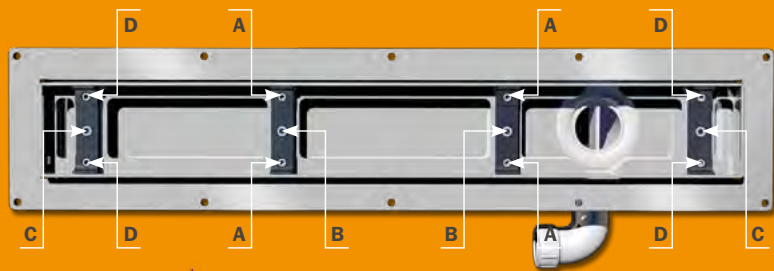
- 1 x Cover Plate - Reversible
- 1 x Frame
- 1 x Channel Drain Body
- 1 x 1½" x 50mm Water Seal Trap with Top Access
- 2 x Centre Plastic Guides with four 10mm screws
- 2 x End Plastic Guides with four 10mm screws
- 1 x Fittings bag containing:
  - 8 x 15mm Screws
  - 8 x 4mm Plastic Spacers
  - 16 x 2mm Plastic Spacers
- 1 x Suction Pad. (For Removing Cover Plate)

**Installation guidelines for Dukkaboard E-DRAIN  
Channel drain for tiled floors**

**Specification  
DD-PA-1000**

# Dukkaboard®

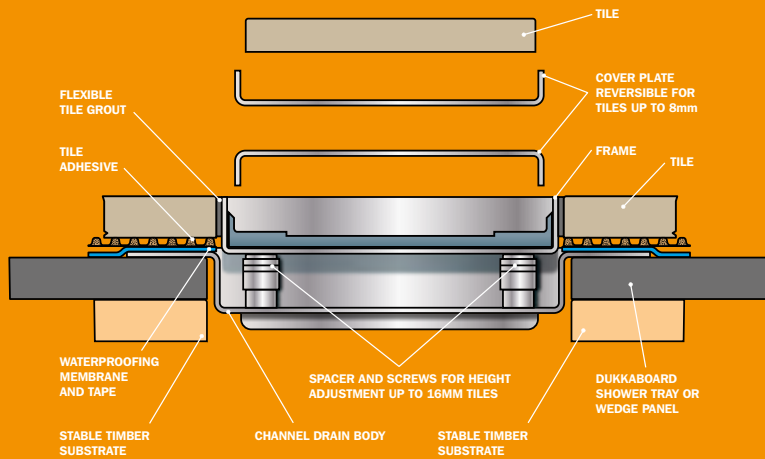
## CHANNELE-DRAIN



**Installation guidelines for Dukkaboard E-DRAIN**  
Channel drain for tiled floors

**Adjustment Instructions**  
DD-PA-1200

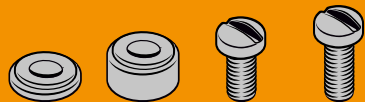
# Dukkaboard® CHANNELE-DRAIN



## Channel Drain can be used in conjunction with:

- Dukkaboard Shower Tray and Wedge Panel
- A gradient to the Channel Drain of 1:40 should be provided and a waterproofing membrane or tanking system must be installed.
- Waterproof tile adhesive and flexible tile grout should always be used.
- The Frame without Spacers suits tiles up to 8mm.
- Plastic Spacers and 15mm screws enable Frame adjustment to suit 10-16mm tiles.
- Cover Plate is reversible to accommodate tiles up to 8mm.

Dukkaboard® Channel Drain should only be installed by a competent plumber and/or specialist flooring contractor.



2MM, 4MM PLASTIC SPACERS AND 10MM, 15MM SCREWS

## DD-PA-1200 CHANNEL DRAIN SIZING



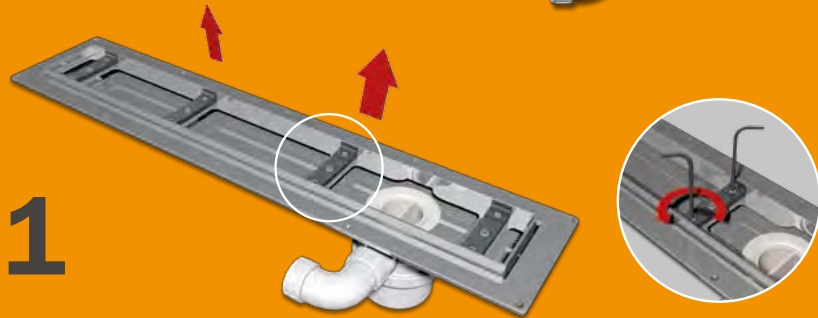
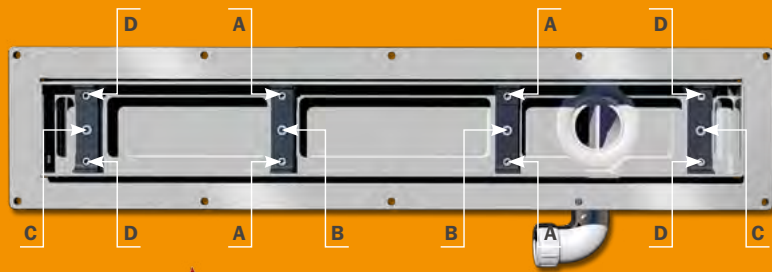
## DD-PA-1200 CHANNEL DRAIN FOR TILED FLOORS FOR USE WITH TILES 8mm - 16mm

- 1 x Cover Plate - Reversible
- 1 x Frame
- 1 x Channel Drain Body
- 1 x 1½" x 50mm Water Seal Trap with Top Access
- 2 x Centre Plastic Guides with four 10mm screws
- 2 x End Plastic Guides with four 10mm screws
- 1 x Fittings bag containing:
  - 8 x 15mm Screws
  - 8 x 4mm Plastic Spacers
  - 16 x 2mm Plastic Spacers
- 1 x Suction Pad. (For Removing Cover Plate)

Installation guidelines for Dukkaboard E-DRAIN  
Channel drain for tiled floors

Specification  
DD-PA-1200

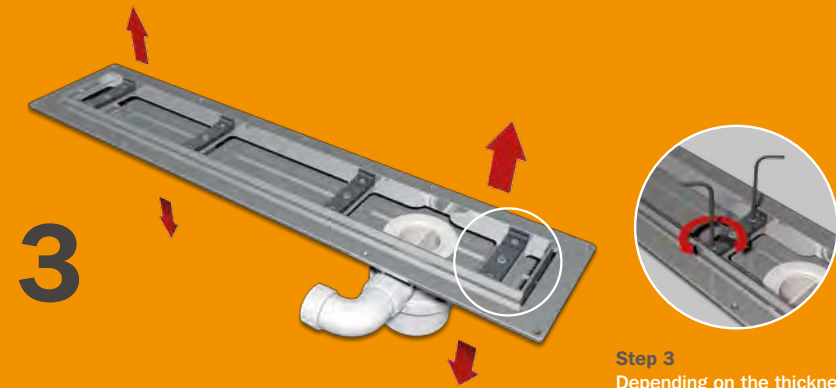
# Dukkaboard® CHANNELE-DRAIN



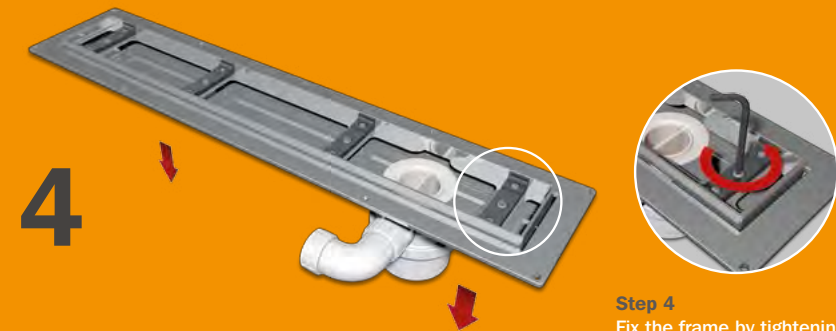
**Step 1**  
Screw up / raise to the limit but without removing the 4 screws 'A'



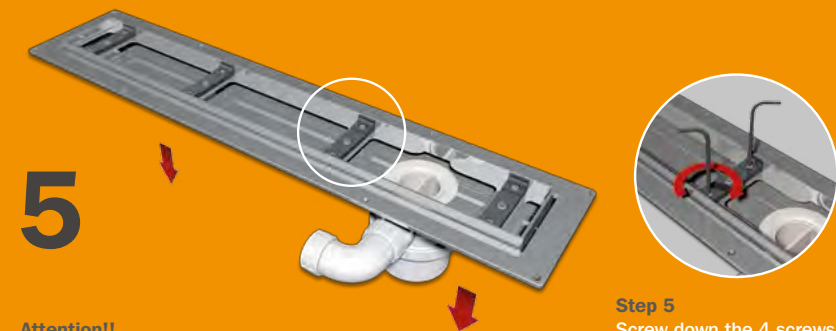
**Step 2**  
Loosen to the limit but without removing the 2 screws 'B' and 2 screws 'C'



**Step 3**  
Depending on the thickness of the tile, adjust the 4 screws 'D' to the correct height



**Step 4**  
Fix the frame by tightening the 2 screws 'B' and 2 screws 'C'



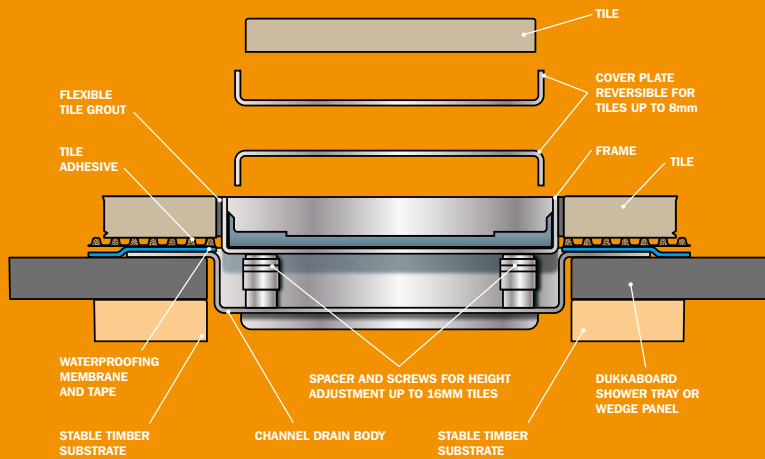
**Attention!!**  
Over tightening of these screws may cause distortion of the frame and cover.

**Step 5**  
Screw down the 4 screws 'A' until you feel that they have made contact with the drain bottom. These screws are only designed for supporting the frame

**Installation guidelines for Dukkaboard E-DRAIN**  
Channel drain for tiled floors

**Adjustment Instructions**  
DD-QA-0600

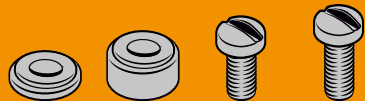
# Dukkaboard® CHANNELE-DRAIN



#### Channel Drain can be used in conjunction with:

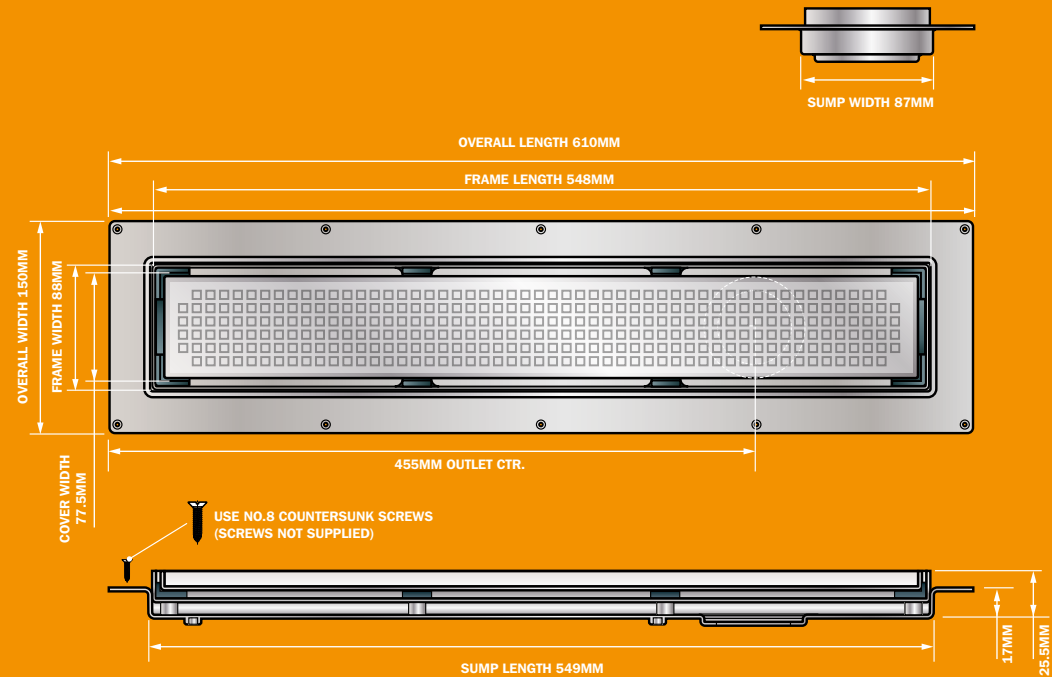
- Dukkaboard Shower Tray and Wedge Panel
- A gradient to the Channel Drain of 1:40 should be provided and a waterproofing membrane or tanking system must be installed.
- Waterproof tile adhesive and flexible tile grout should always be used.
- The Frame without Spacers suits tiles up to 8mm.
- Plastic Spacers and 15mm screws enable Frame adjustment to suit 10-16mm tiles.
- Cover Plate is reversible to accommodate tiles up to 8mm.

Dukkaboard® Channel Drain should only be installed by a competent plumber and/or specialist flooring contractor.



2MM, 4MM PLASTIC SPACERS AND 10MM, 15MM SCREWS

#### DD-QA-0600 CHANNEL DRAIN SIZING



#### DD-QA-0600 CHANNEL DRAIN FOR TILED FLOORS FOR USE WITH TILES 8mm - 16mm

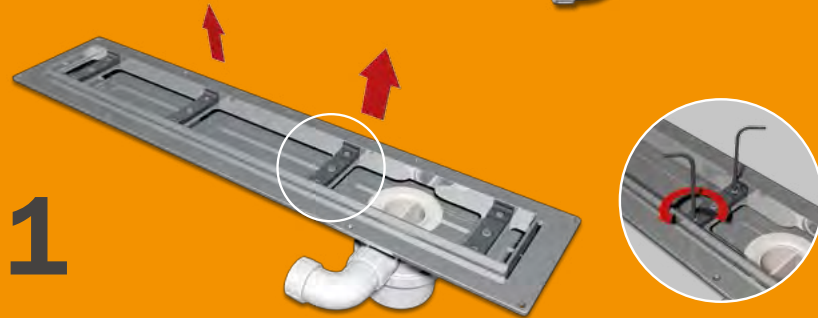
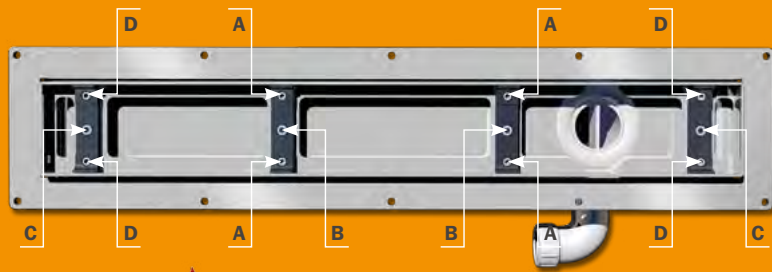
- 1 x Cover Plate - Reversible
- 1 x Frame
- 1 x Channel Drain Body
- 1 x 1½" x 50mm Water Seal Trap with Top Access
- 2 x Centre Plastic Guides with four 10mm screws
- 2 x End Plastic Guides with four 10mm screws
- 1 x Fittings bag containing:
  - 8 x 15mm Screws
  - 8 x 4mm Plastic Spacers
  - 16 x 2mm Plastic Spacers
- 1 x Suction Pad. (For Removing Cover Plate)

Installation guidelines for Dukkaboard E-DRAIN  
Channel drain for tiled floors

Specification  
DD-QA-0600

# Dukkaboard®

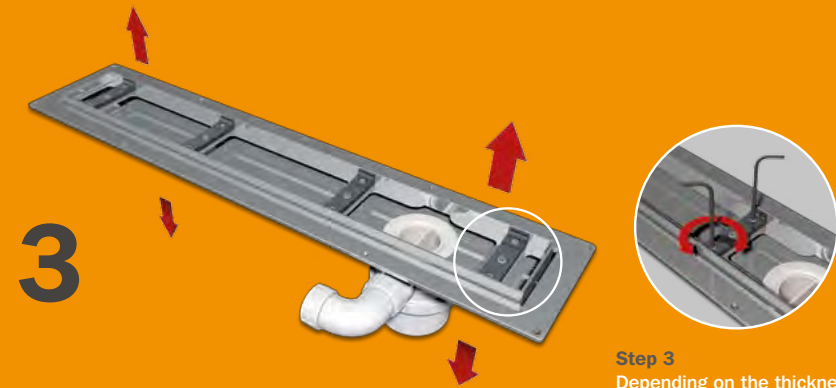
## CHANNELE-DRAIN



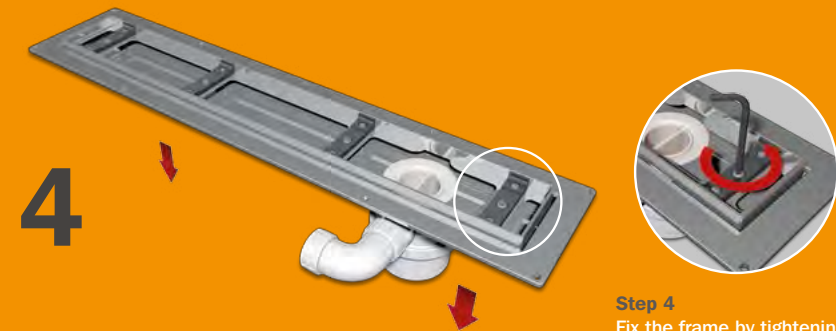
**Step 1**  
Screw up / raise to the limit but without removing the 4 screws 'A'



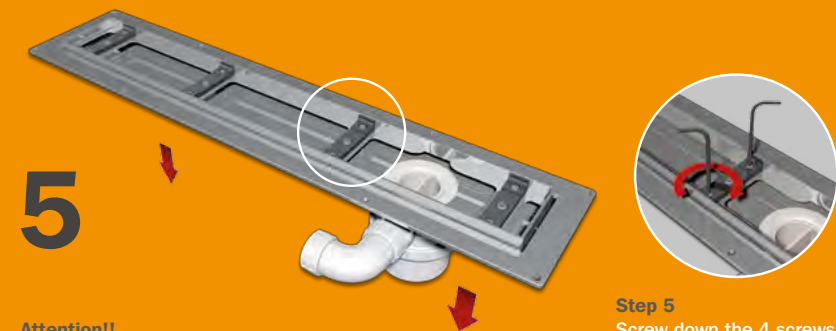
**Step 2**  
Loosen to the limit but without removing the 2 screws 'B' and 2 screws 'C'



**Step 3**  
Depending on the thickness of the tile, adjust the 4 screws 'D' to the correct height



**Step 4**  
Fix the frame by tightening the 2 screws 'B' and 2 screws 'C'



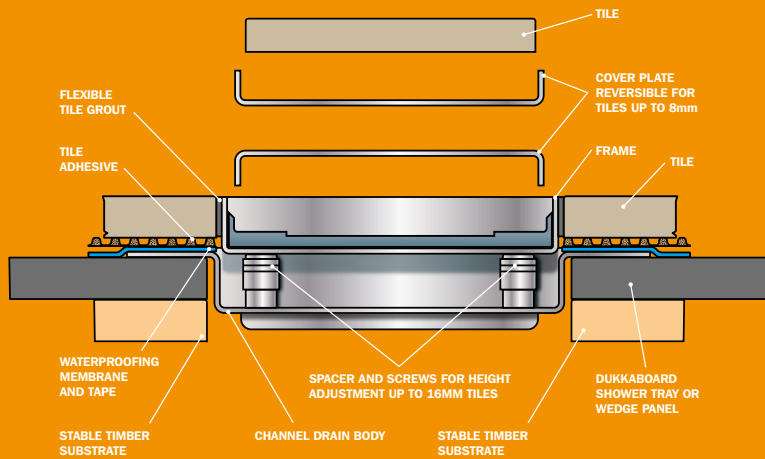
**Attention!!**  
Over tightening of these screws may cause distortion of the frame and cover.

**Step 5**  
Screw down the 4 screws 'A' until you feel that they have made contact with the drain bottom. These screws are only designed for supporting the frame

**Installation guidelines for Dukkaboard E-DRAIN**  
Channel drain for tiled floors

**Adjustment Instructions**  
DD-QA-0800

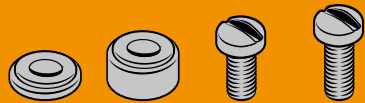
# Dukkaboard® CHANNELE-DRAIN



#### Channel Drain can be used in conjunction with:

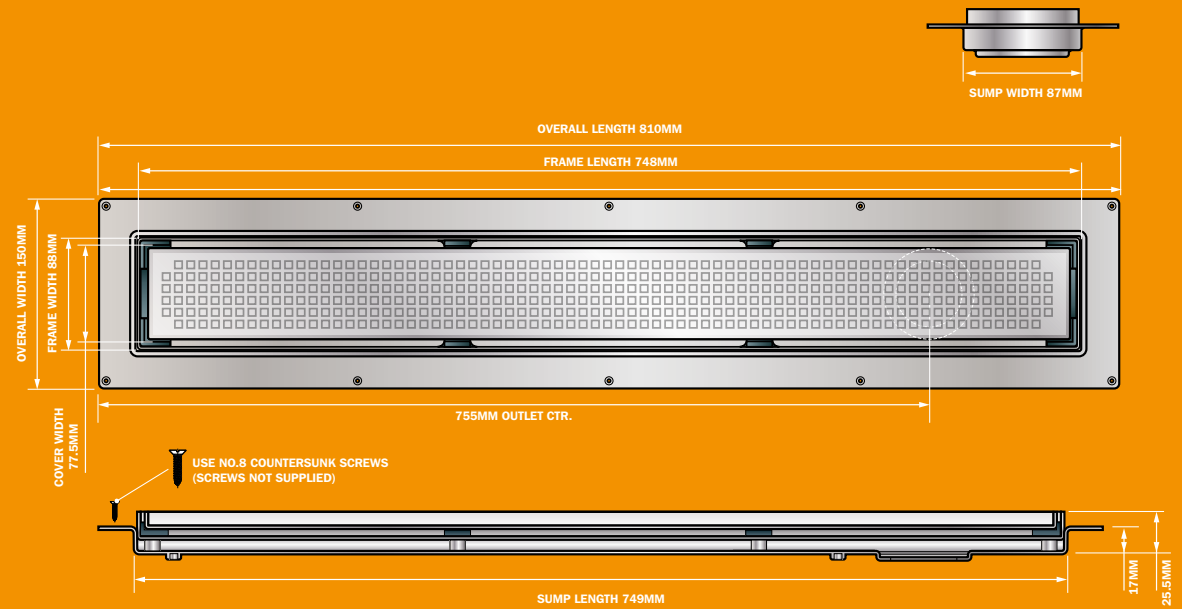
- Dukkaboard Shower Tray and Wedge Panel
- A gradient to the Channel Drain of 1:40 should be provided and a waterproofing membrane or tanking system must be installed.
- Waterproof tile adhesive and flexible tile grout should always be used.
- The Frame without Spacers suits tiles up to 8mm.
- Plastic Spacers and 15mm screws enable Frame adjustment to suit 10-16mm tiles.
- Cover Plate is reversible to accommodate tiles up to 8mm.

Dukkaboard® Channel Drain should only be installed by a competent plumber and/or specialist flooring contractor.



2MM, 4MM PLASTIC SPACERS AND 10MM, 15MM SCREWS

#### DD-QA-0800 CHANNEL DRAIN SIZING



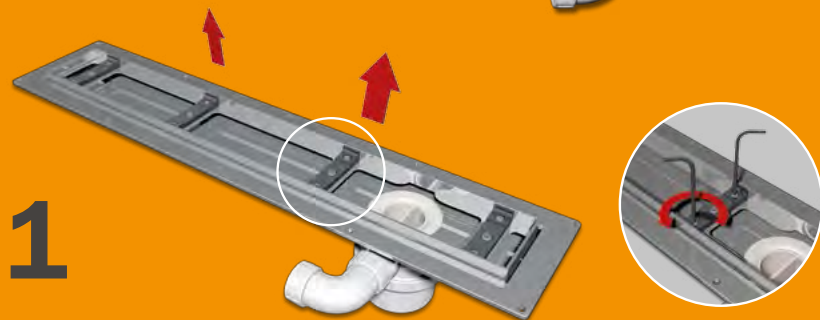
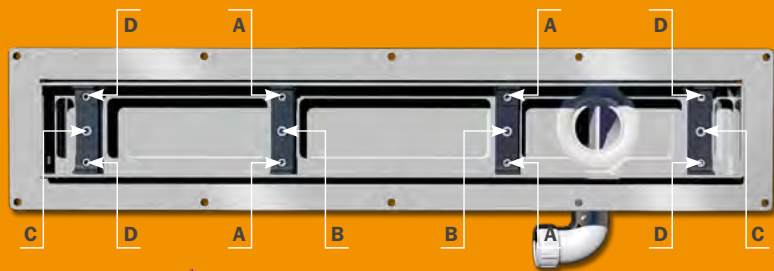
#### DD-QA-0800 CHANNEL DRAIN FOR TILED FLOORS FOR USE WITH TILES 8mm - 16mm

- 1 x Cover Plate - Reversible
- 1 x Frame
- 1 x Channel Drain Body
- 1 x 1½" x 50mm Water Seal Trap with Top Access
- 2 x Centre Plastic Guides with four 10mm screws
- 2 x End Plastic Guides with four 10mm screws
- 1 x Fittings bag containing:
  - 8 x 15mm Screws
  - 8 x 4mm Plastic Spacers
  - 16 x 2mm Plastic Spacers
- 1 x Suction Pad. (For Removing Cover Plate)

Installation guidelines for Dukkaboard E-DRAIN  
Channel drain for tiled floors

Specification  
DD-QA-0800

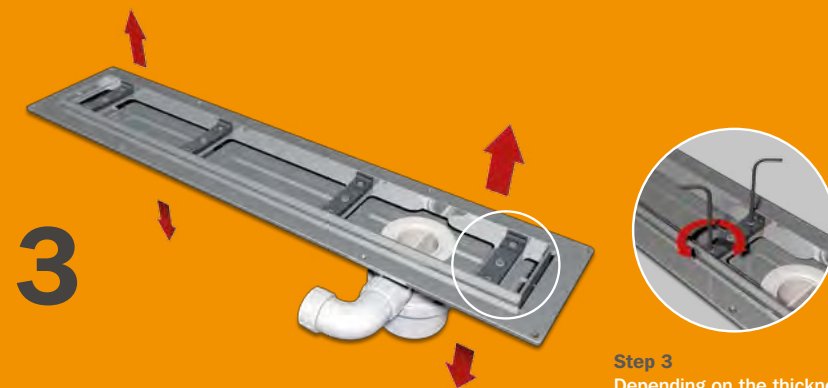
# Dukkaboard® CHANNELE-DRAIN



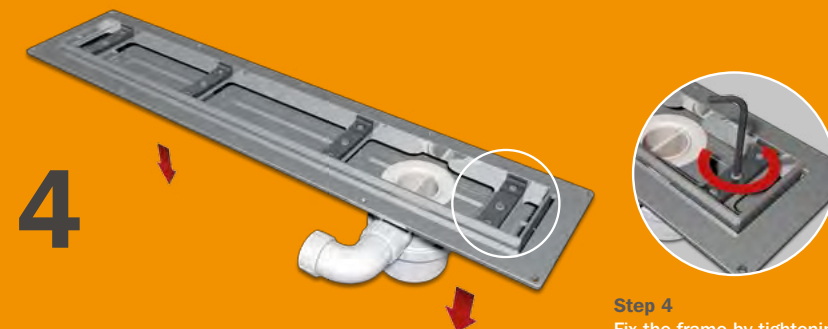
**Step 1**  
Screw up / raise to the limit but  
without removing the 4 screws 'A'



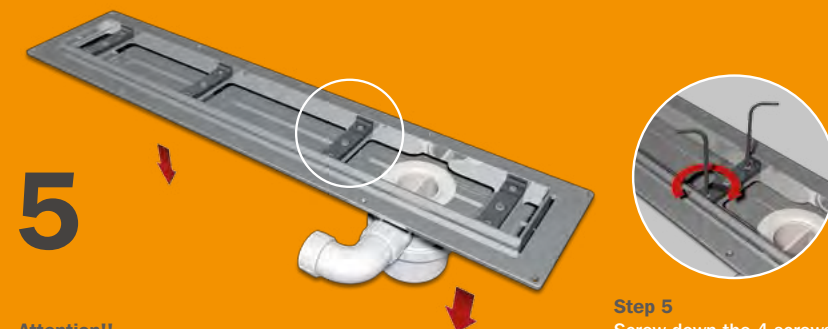
**Step 2**  
Loosen to the limit but without  
removing the 2 screws 'B' and  
2 screws 'C'



**Step 3**  
Depending on the thickness of  
the tile, adjust the 4 screws  
'D' to the correct height



**Step 4**  
Fix the frame by tightening the  
2 screws 'B' and 2 screws 'C'



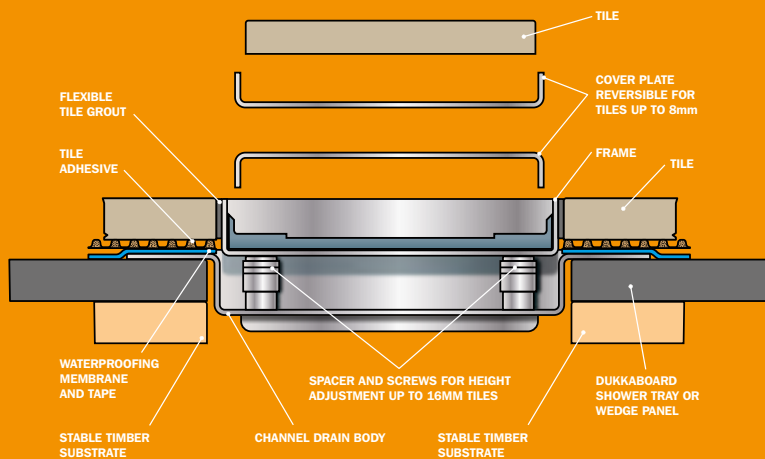
**Attention!!**  
Over tightening of these  
screws may cause distortion  
of the frame and cover.

**Step 5**  
Screw down the 4 screws 'A' until you  
feel that they have made contact with  
the drain bottom. These screws are  
only designed for supporting the frame

**Installation guidelines for Dukkaboard E-DRAIN**  
Channel drain for tiled floors

**Adjustment Instructions**  
DD-QA-0900

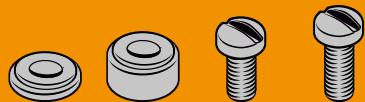
# Dukkaboard® CHANNELE-DRAIN



#### Channel Drain can be used in conjunction with:

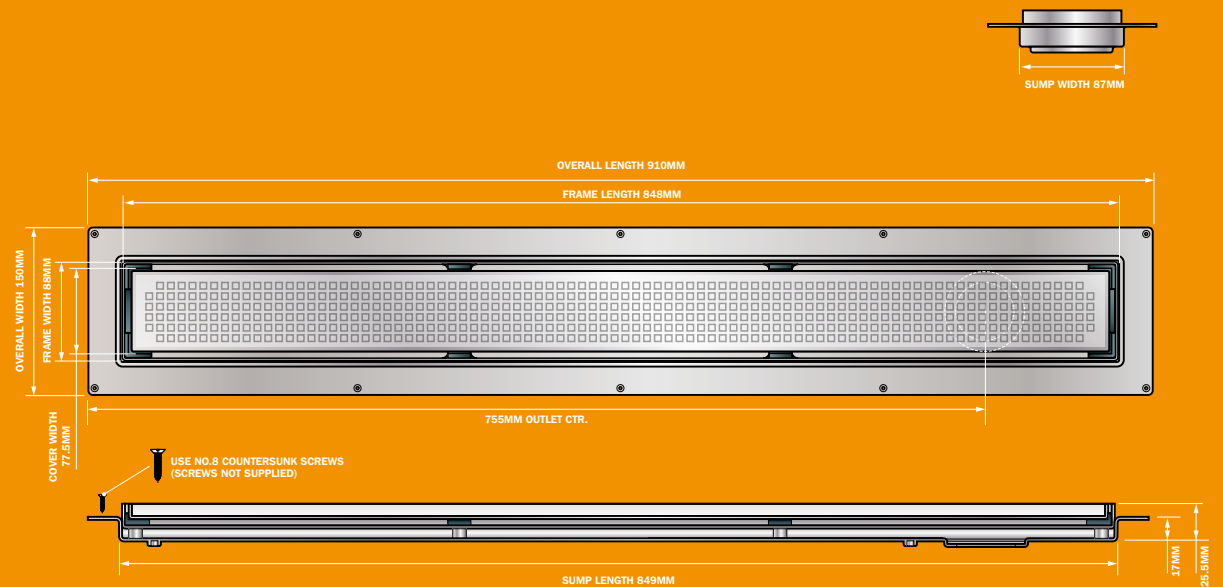
- Dukkaboard Shower Tray and Wedge Panel
- A gradient to the Channel Drain of 1:40 should be provided and a waterproofing membrane or tanking system must be installed.
- Waterproof tile adhesive and flexible tile grout should always be used.
- The Frame without Spacers suits tiles up to 8mm.
- Plastic Spacers and 15mm screws enable Frame adjustment to suit 10-16mm tiles.
- Cover Plate is reversible to accommodate tiles up to 8mm.

Dukkaboard® Channel Drain should only be installed by a competent plumber and/or specialist flooring contractor.



2MM, 4MM PLASTIC SPACERS AND 10MM, 15MM SCREWS

#### DD-QA-0900 CHANNEL DRAIN SIZING



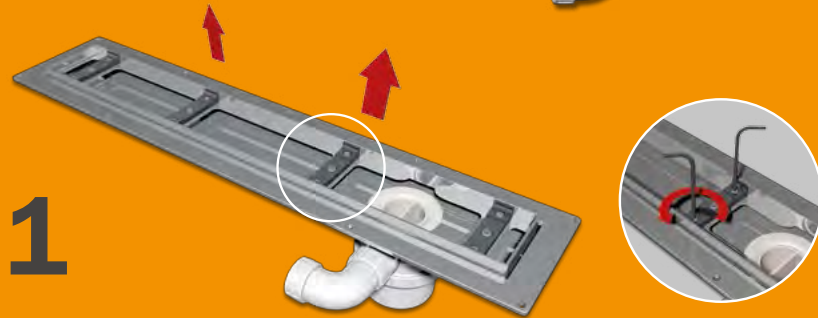
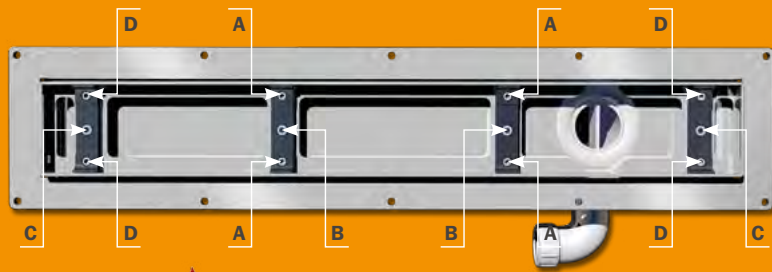
#### DD-QA-0900 CHANNEL DRAIN FOR TILED FLOORS FOR USE WITH TILES 8mm - 16mm

- 1 x Cover Plate - Reversible
- 1 x Frame
- 1 x Channel Drain Body
- 1 x 1½" x 50mm Water Seal Trap with Top Access
- 2 x Centre Plastic Guides with four 10mm screws
- 2 x End Plastic Guides with four 10mm screws
- 1 x Fittings bag containing:
  - 8 x 15mm Screws
  - 8 x 4mm Plastic Spacers
  - 16 x 2mm Plastic Spacers
- 1 x Suction Pad. (For Removing Cover Plate)

Installation guidelines for Dukkaboard E-DRAIN  
Channel drain for tiled floors

Specification  
DD-QA-0900

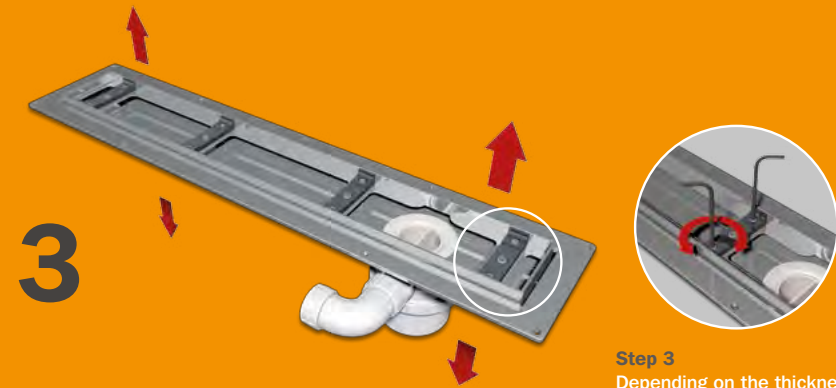
# Dukkaboard® CHANNELE-DRAIN



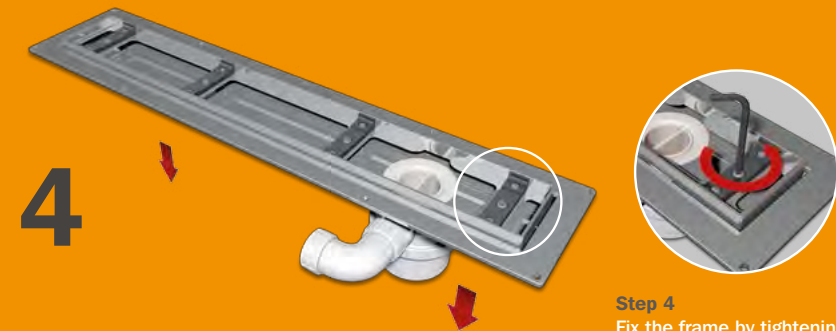
**Step 1**  
Screw up / raise to the limit but without removing the 4 screws 'A'



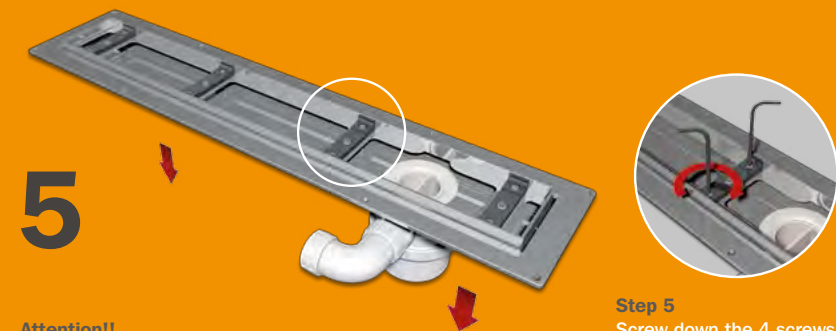
**Step 2**  
Loosen to the limit but without removing the 2 screws 'B' and 2 screws 'C'



**Step 3**  
Depending on the thickness of the tile, adjust the 4 screws 'D' to the correct height



**Step 4**  
Fix the frame by tightening the 2 screws 'B' and 2 screws 'C'



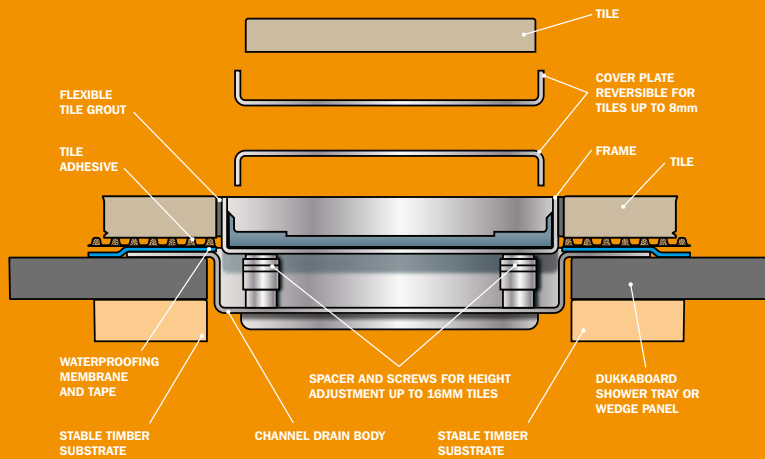
**Attention!!**  
Over tightening of these screws may cause distortion of the frame and cover.

**Step 5**  
Screw down the 4 screws 'A' until you feel that they have made contact with the drain bottom. These screws are only designed for supporting the frame

**Installation guidelines for Dukkaboard E-DRAIN**  
Channel drain for tiled floors

**Adjustment Instructions**  
DD-QA-1000

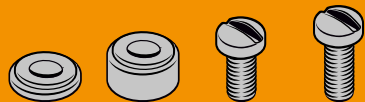
# Dukkaboard® CHANNELE-DRAIN



## Channel Drain can be used in conjunction with:

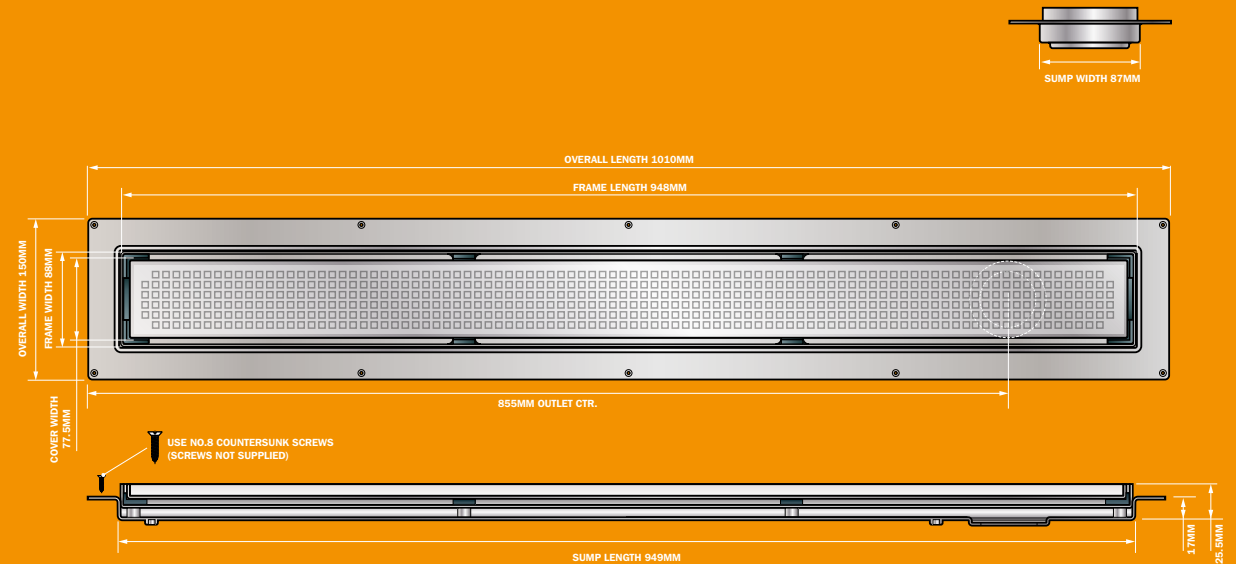
- Dukkaboard Shower Tray and Wedge Panel
- A gradient to the Channel Drain of 1:40 should be provided and a waterproofing membrane or tanking system must be installed.
- Waterproof tile adhesive and flexible tile grout should always be used.
- The Frame without Spacers suits tiles up to 8mm.
- Plastic Spacers and 15mm screws enable Frame adjustment to suit 10-16mm tiles.
- Cover Plate is reversible to accommodate tiles up to 8mm.

Dukkaboard® Channel Drain should only be installed by a competent plumber and/or specialist flooring contractor.



2MM, 4MM PLASTIC SPACERS AND 10MM, 15MM SCREWS

## DD-QA-1000 CHANNEL DRAIN SIZING



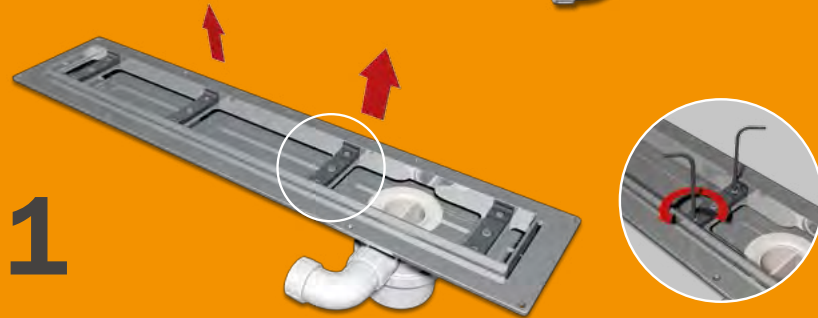
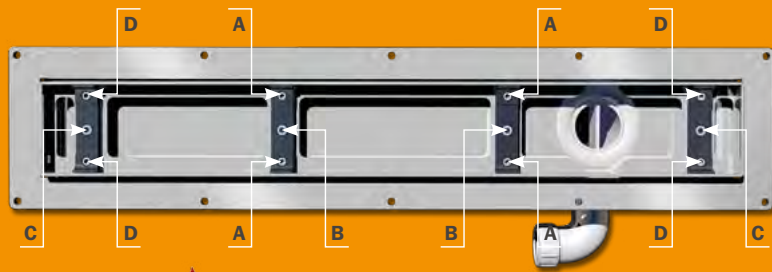
## DD-QA-1000 CHANNEL DRAIN FOR TILED FLOORS FOR USE WITH TILES 8mm - 16mm

- 1 x Cover Plate - Reversible
- 1 x Frame
- 1 x Channel Drain Body
- 1 x 1½" x 50mm Water Seal Trap with Top Access
- 2 x Centre Plastic Guides with four 10mm screws
- 2 x End Plastic Guides with four 10mm screws
- 1 x Fittings bag containing:
  - 8 x 15mm Screws
  - 8 x 4mm Plastic Spacers
  - 16 x 2mm Plastic Spacers
- 1 x Suction Pad. (For Removing Cover Plate)

Installation guidelines for Dukkaboard E-DRAIN  
Channel drain for tiled floors

Specification  
DD-QA-1000

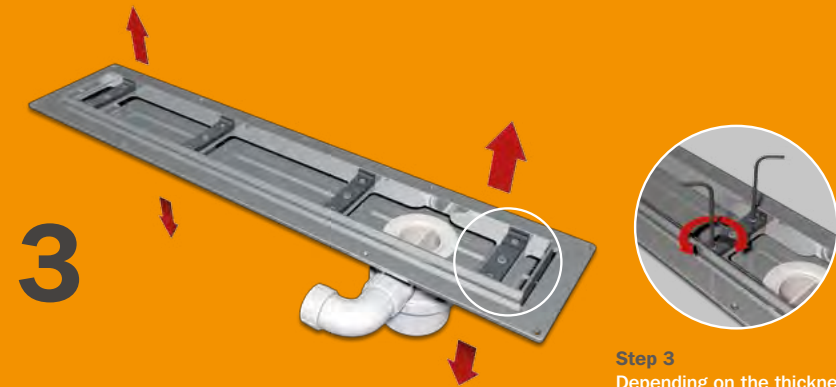
# Dukkaboard® CHANNELE-DRAIN



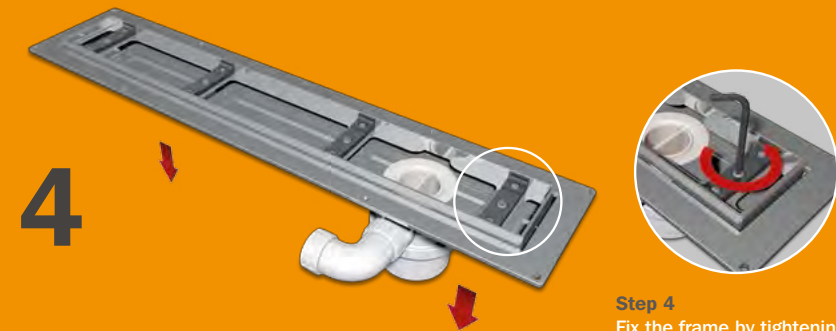
**Step 1**  
Screw up / raise to the limit but  
without removing the 4 screws 'A'



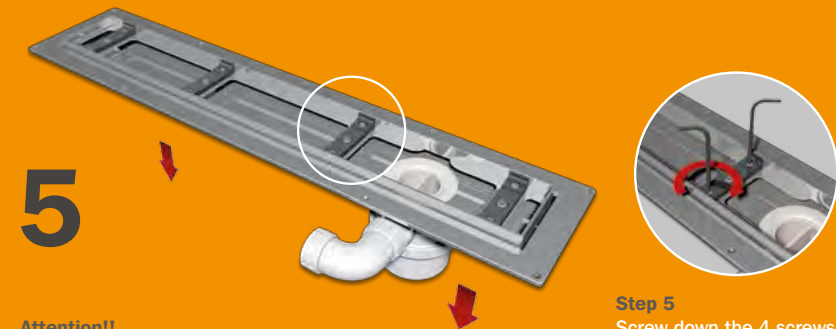
**Step 2**  
Loosen to the limit but without  
removing the 2 screws 'B' and  
2 screws 'C'



**Step 3**  
Depending on the thickness of  
the tile, adjust the 4 screws  
'D' to the correct height



**Step 4**  
Fix the frame by tightening the  
2 screws 'B' and 2 screws 'C'



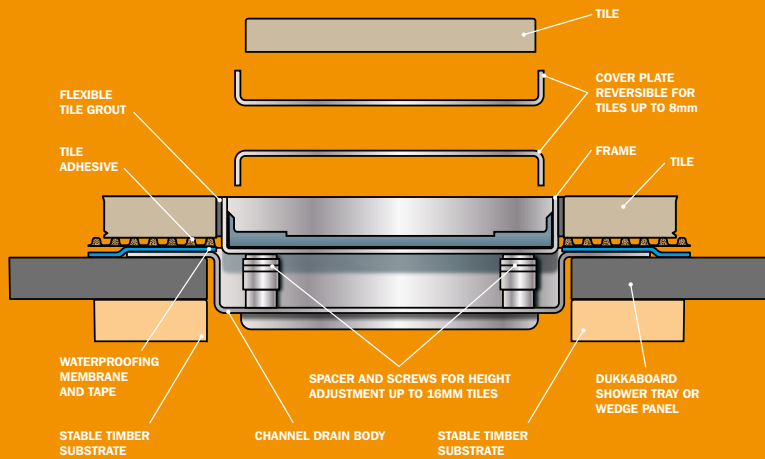
**Attention!!**  
Over tightening of these  
screws may cause distortion  
of the frame and cover.

**Step 5**  
Screw down the 4 screws 'A' until you  
feel that they have made contact with  
the drain bottom. These screws are  
only designed for supporting the frame

**Installation guidelines for Dukkaboard E-DRAIN**  
Channel drain for tiled floors

**Adjustment Instructions**  
DD-QA-1200

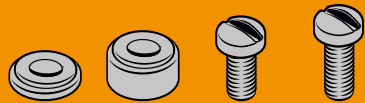
# Dukkaboard® CHANNELE-DRAIN



## Channel Drain can be used in conjunction with:

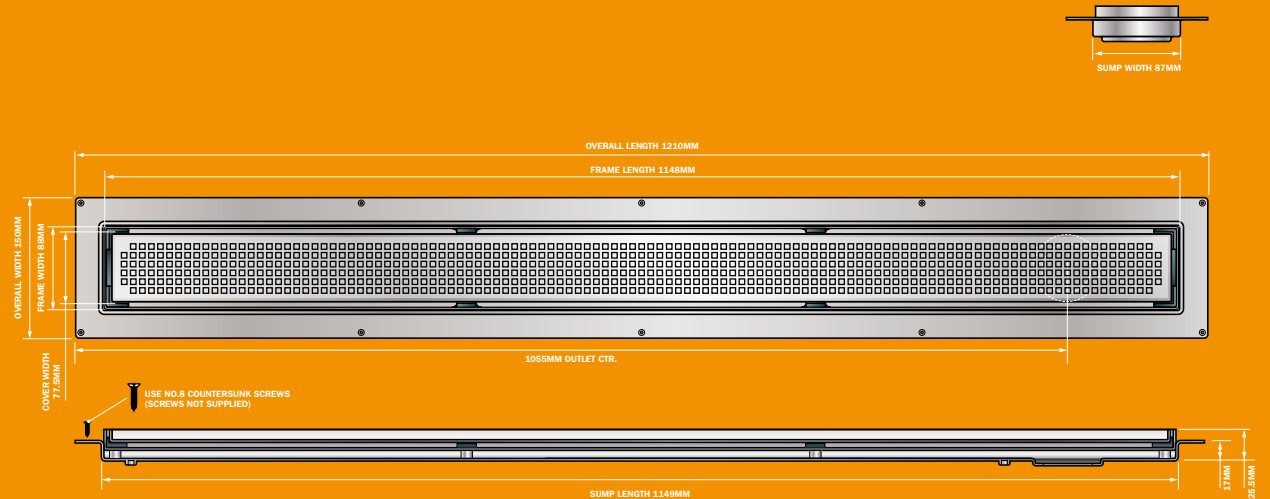
- Dukkaboard Shower Tray and Wedge Panel
- A gradient to the Channel Drain of 1:40 should be provided and a waterproofing membrane or tanking system must be installed.
- Waterproof tile adhesive and flexible tile grout should always be used.
- The Frame without Spacers suits tiles up to 8mm.
- Plastic Spacers and 15mm screws enable Frame adjustment to suit 10-16mm tiles.
- Cover Plate is reversible to accommodate tiles up to 8mm.

Dukkaboard® Channel Drain should only be installed by a competent plumber and/or specialist flooring contractor.



2MM, 4MM PLASTIC SPACERS AND 10MM, 15MM SCREWS

## DD-QA-1200 CHANNEL DRAIN SIZING



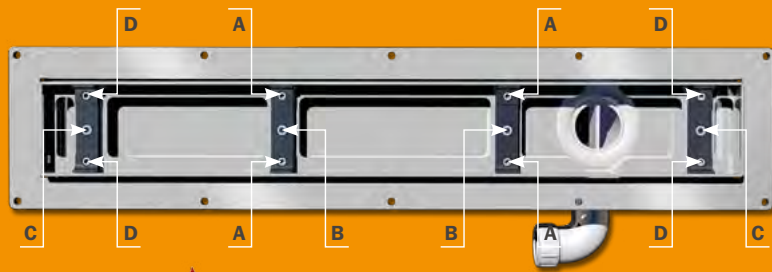
## DD-QA-1200 CHANNEL DRAIN FOR TILED FLOORS FOR USE WITH TILES 8mm - 16mm

- 1 x Cover Plate - Reversible
- 1 x Frame
- 1 x Channel Drain Body
- 1 x 1½" x 50mm Water Seal Trap with Top Access
- 2 x Centre Plastic Guides with four 10mm screws
- 2 x End Plastic Guides with four 10mm screws
- 1 x Fittings bag containing:
  - 8 x 15mm Screws
  - 8 x 4mm Plastic Spacers
  - 16 x 2mm Plastic Spacers
- 1 x Suction Pad. (For Removing Cover Plate)

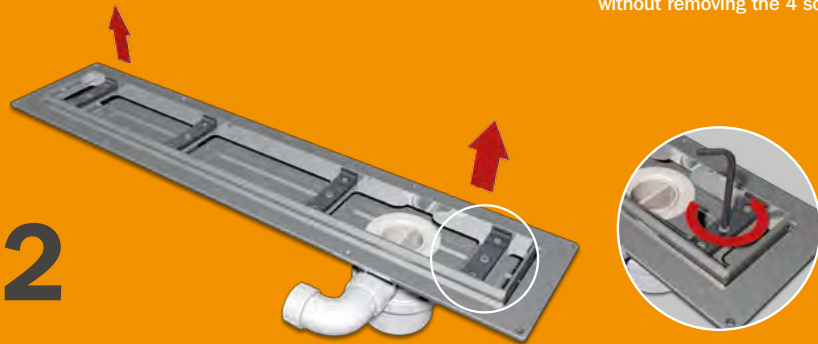
Installation guidelines for Dukkaboard E-DRAIN  
Channel drain for tiled floors

Specification  
DD-QA-1200

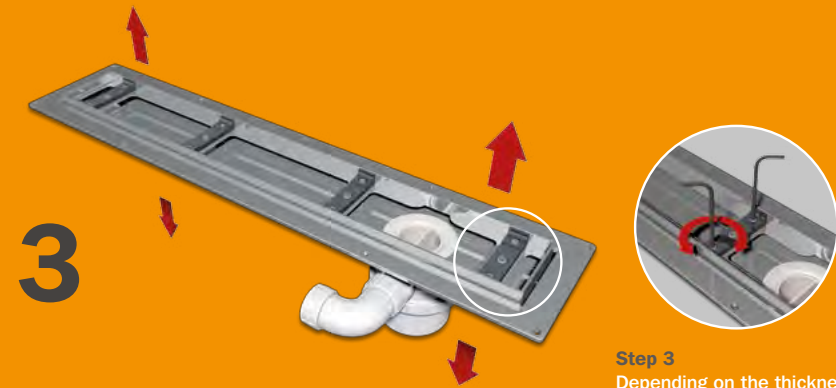
# Dukkaboard® CHANNELE-DRAIN



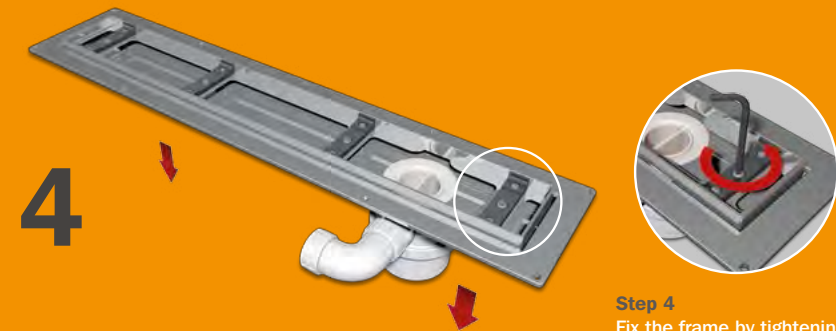
**Step 1**  
Screw up / raise to the limit but  
without removing the 4 screws 'A'



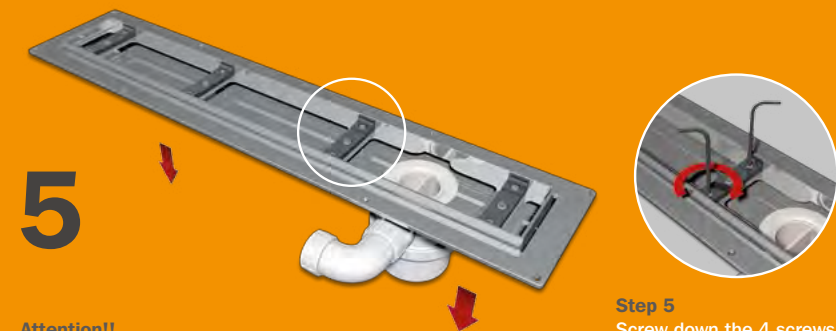
**Step 2**  
Loosen to the limit but without  
removing the 2 screws 'B' and  
2 screws 'C'



**Step 3**  
Depending on the thickness of  
the tile, adjust the 4 screws  
'D' to the correct height



**Step 4**  
Fix the frame by tightening the  
2 screws 'B' and 2 screws 'C'



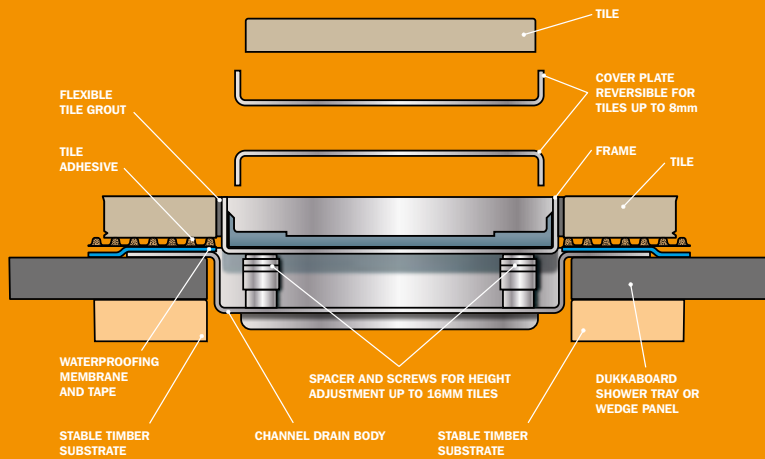
**Attention!!**  
Over tightening of these  
screws may cause distortion  
of the frame and cover.

**Step 5**  
Screw down the 4 screws 'A' until you  
feel that they have made contact with  
the drain bottom. These screws are  
only designed for supporting the frame

**Installation guidelines for Dukkaboard E-DRAIN**  
Channel drain for tiled floors

**Adjustment Instructions**  
DD-WA-0600

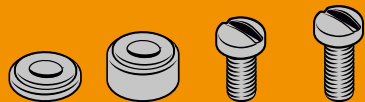
# Dukkaboard® CHANNELE-DRAIN



#### Channel Drain can be used in conjunction with:

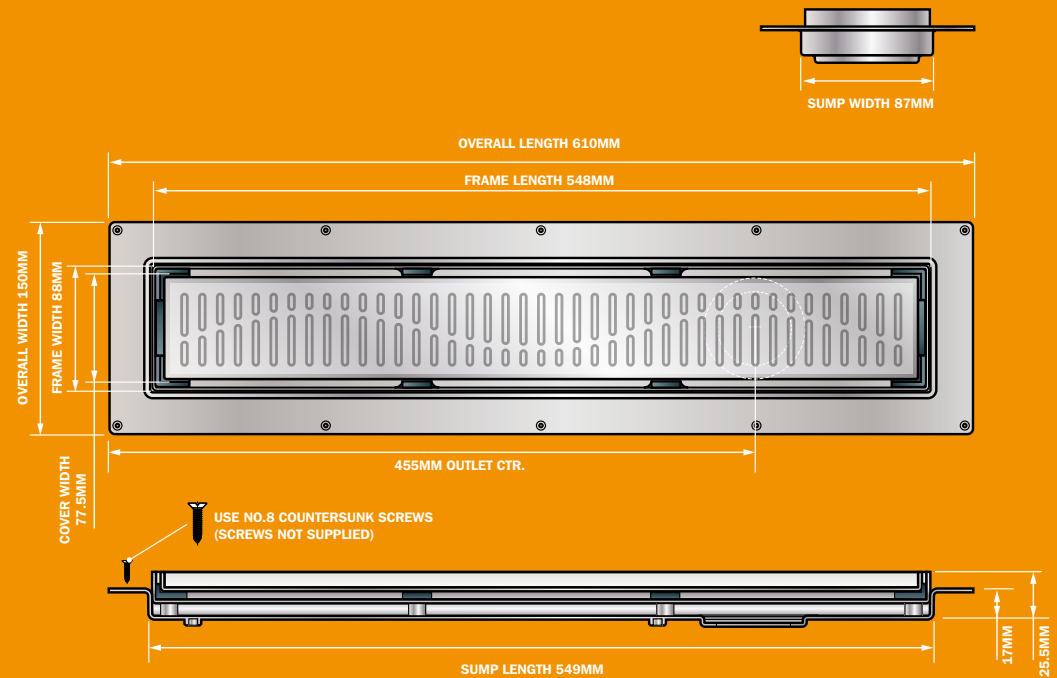
- Dukkaboard Shower Tray and Wedge Panel
- A gradient to the Channel Drain of 1:40 should be provided and a waterproofing membrane or tanking system must be installed.
- Waterproof tile adhesive and flexible tile grout should always be used.
- The Frame without Spacers suits tiles up to 8mm.
- Plastic Spacers and 15mm screws enable Frame adjustment to suit 10-16mm tiles.
- Cover Plate is reversible to accommodate tiles up to 8mm.

Dukkaboard® Channel Drain should only be installed by a competent plumber and/or specialist flooring contractor.



2MM, 4MM PLASTIC SPACERS AND 10MM, 15MM SCREWS

#### DD-WA-0600 CHANNEL DRAIN SIZING



USE NO.8 COUNTERSUNK SCREWS (SCREWS NOT SUPPLIED)



#### DD-WA-0600 CHANNEL DRAIN FOR TILED FLOORS FOR USE WITH TILES 8mm - 16mm

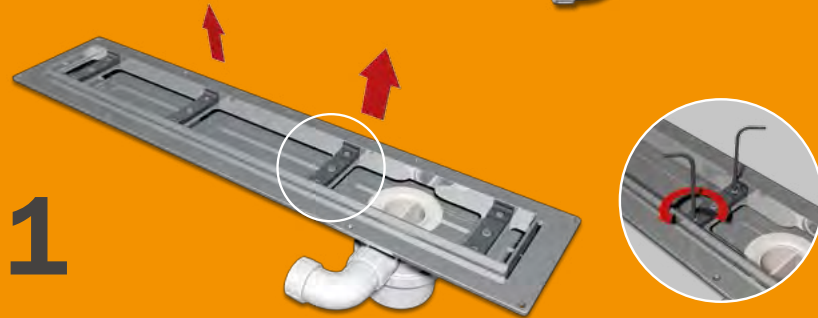
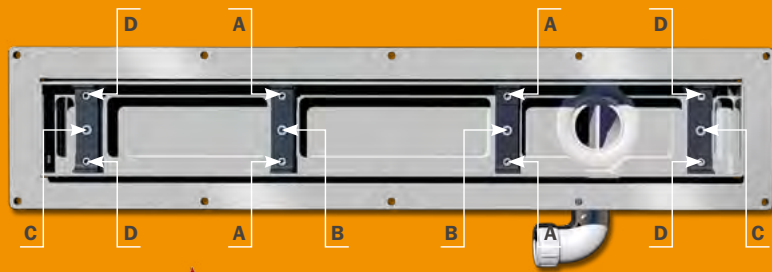
- 1 x Cover Plate - Reversible
- 1 x Frame
- 1 x Channel Drain Body
- 1 x 1½" x 50mm Water Seal Trap with Top Access
- 2 x Centre Plastic Guides with four 10mm screws
- 2 x End Plastic Guides with four 10mm screws
- 1 x Fittings bag containing:
  - 8 x 15mm Screws
  - 8 x 4mm Plastic Spacers
  - 16 x 2mm Plastic Spacers
- 1 x Suction Pad. (For Removing Cover Plate)

Installation guidelines for Dukkaboard E-DRAIN  
Channel drain for tiled floors

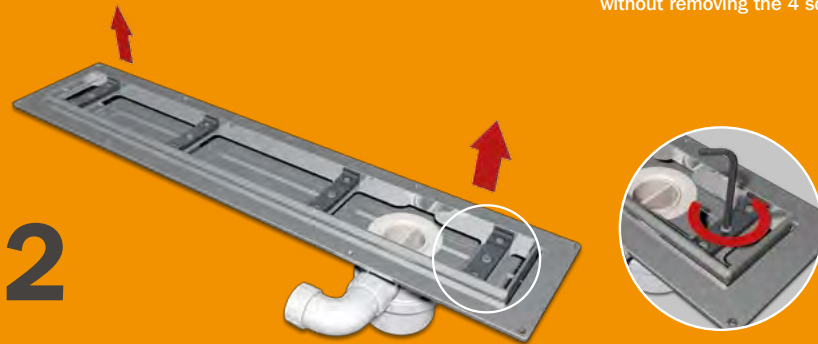
Specification  
DD-WA-0600

# Dukkaboard®

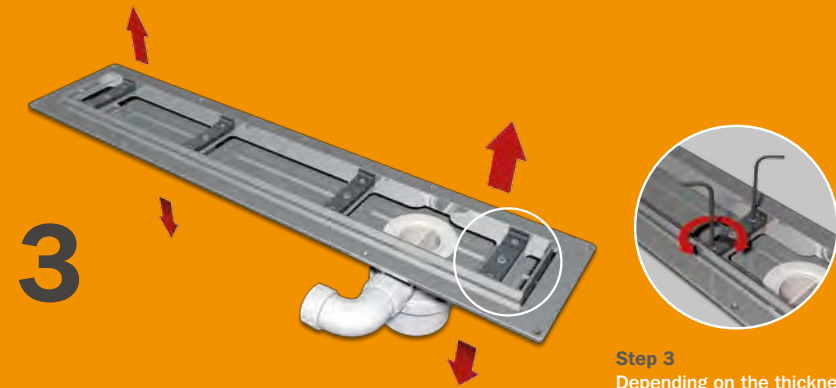
## CHANNELE-DRAIN



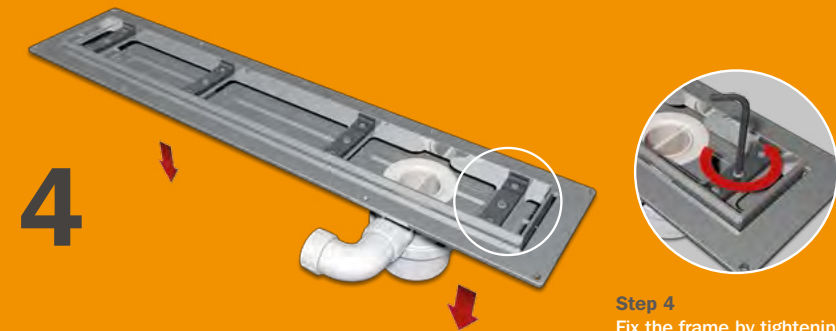
**Step 1**  
Screw up / raise to the limit but without removing the 4 screws 'A'



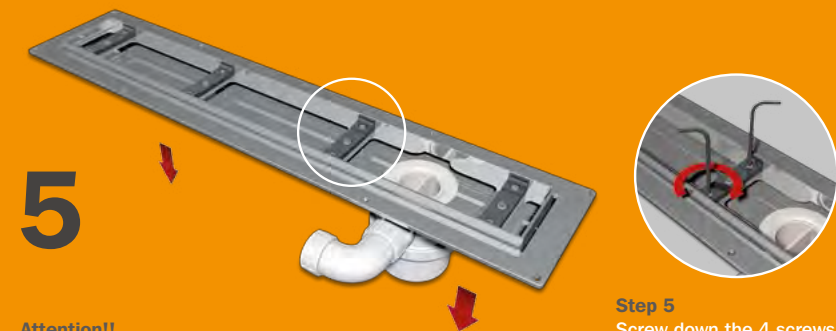
**Step 2**  
Loosen to the limit but without removing the 2 screws 'B' and 2 screws 'C'



**Step 3**  
Depending on the thickness of the tile, adjust the 4 screws 'D' to the correct height



**Step 4**  
Fix the frame by tightening the 2 screws 'B' and 2 screws 'C'



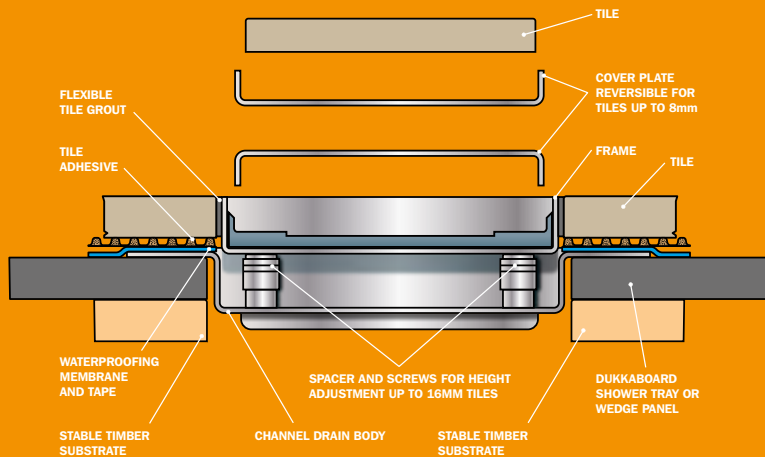
**Attention!!**  
Over tightening of these screws may cause distortion of the frame and cover.

**Step 5**  
Screw down the 4 screws 'A' until you feel that they have made contact with the drain bottom. These screws are only designed for supporting the frame

**Installation guidelines for Dukkaboard E-DRAIN**  
Channel drain for tiled floors

**Adjustment Instructions**  
DD-WA-0800

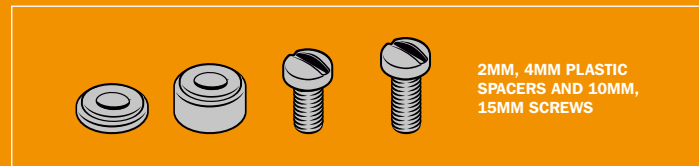
# Dukkaboard® CHANNELE-DRAIN



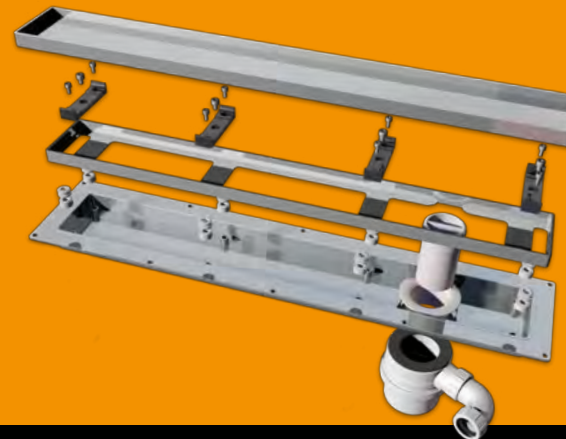
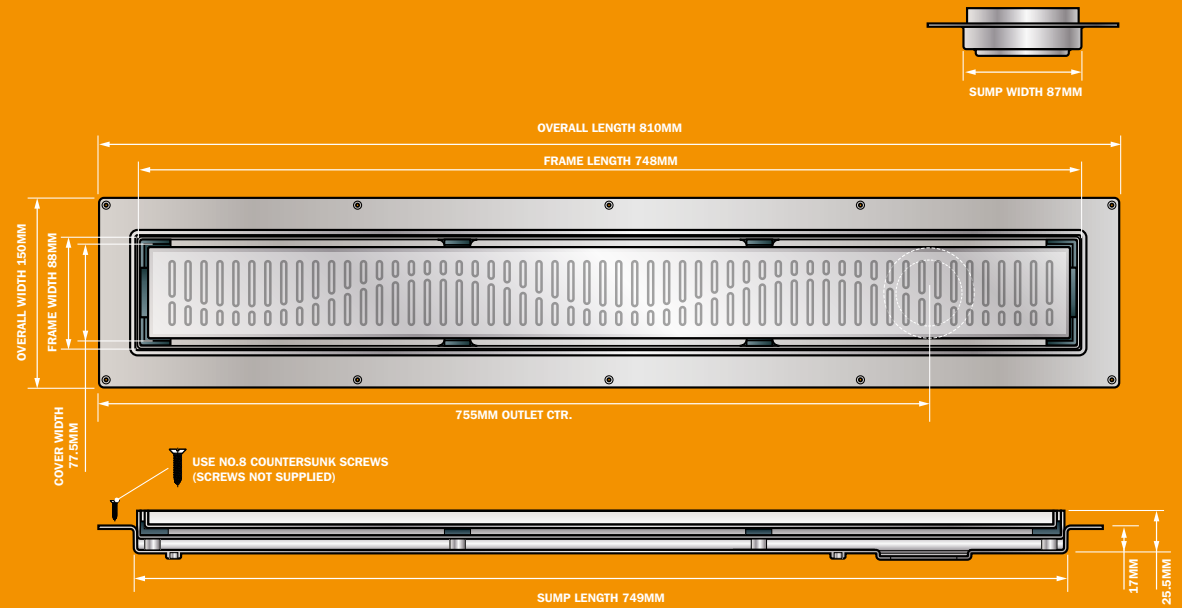
#### Channel Drain can be used in conjunction with:

- Dukkaboard Shower Tray and Wedge Panel
- A gradient to the Channel Drain of 1:40 should be provided and a waterproofing membrane or tanking system must be installed.
- Waterproof tile adhesive and flexible tile grout should always be used.
- The Frame without Spacers suits tiles up to 8mm.
- Plastic Spacers and 15mm screws enable Frame adjustment to suit 10-16mm tiles.
- Cover Plate is reversible to accommodate tiles up to 8mm.

Dukkaboard® Channel Drain should only be installed by a competent plumber and/or specialist flooring contractor.



#### DD-WA-0800 CHANNEL DRAIN SIZING



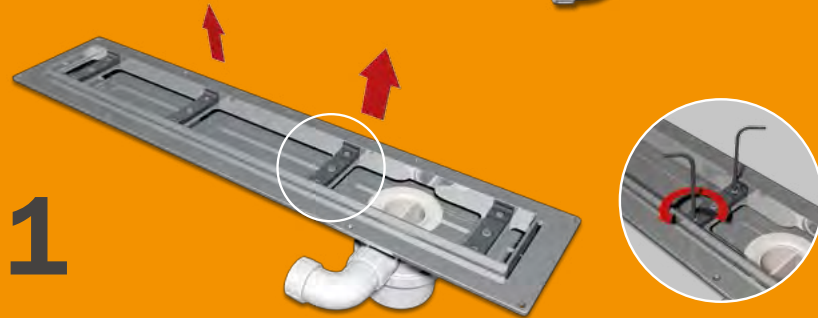
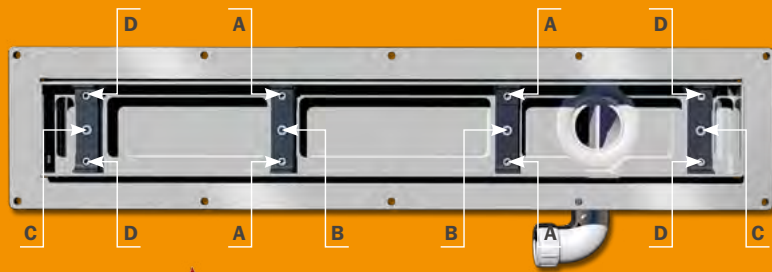
#### DD-WA-0800 CHANNEL DRAIN FOR TILED FLOORS FOR USE WITH TILES 8mm - 16mm

- 1 x Cover Plate - Reversible
- 1 x Frame
- 1 x Channel Drain Body
- 1 x 1½" x 50mm Water Seal Trap with Top Access
- 2 x Centre Plastic Guides with four 10mm screws
- 2 x End Plastic Guides with four 10mm screws
- 1 x Fittings bag containing:
  - 8 x 15mm Screws
  - 8 x 4mm Plastic Spacers
  - 16 x 2mm Plastic Spacers
- 1 x Suction Pad. (For Removing Cover Plate)

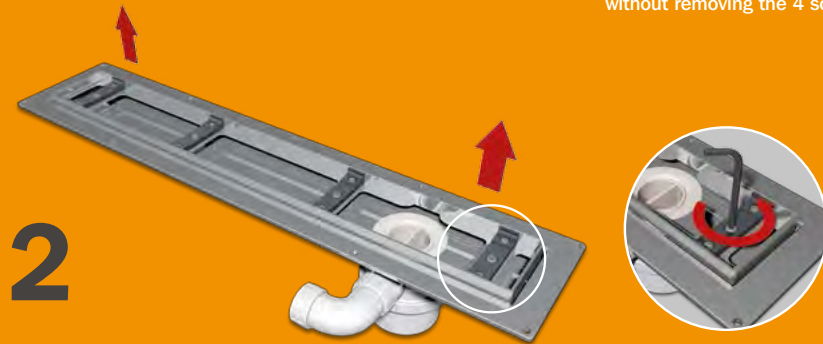
Installation guidelines for Dukkaboard E-DRAIN  
Channel drain for tiled floors

Specification  
DD-WA-0800

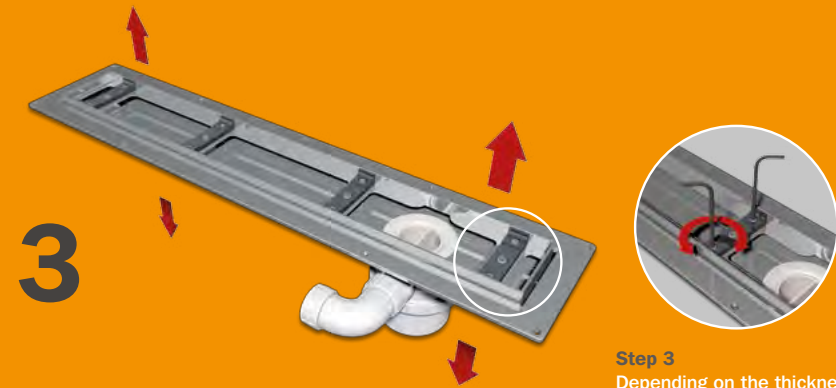
# Dukkaboard® CHANNELE-DRAIN



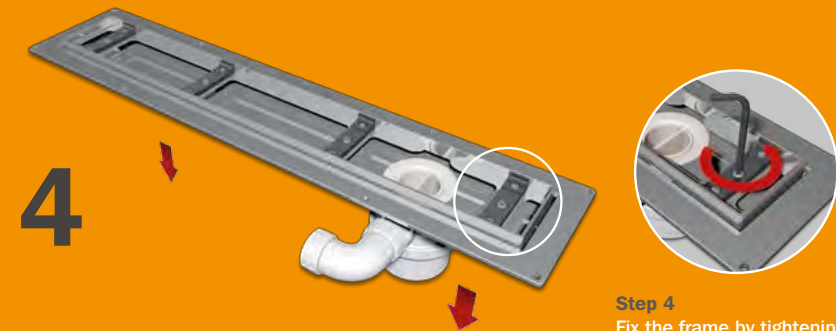
**Step 1**  
Screw up / raise to the limit but  
without removing the 4 screws 'A'



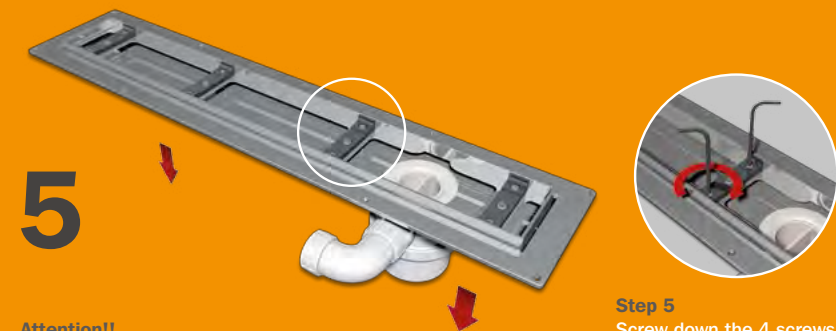
**Step 2**  
Loosen to the limit but without  
removing the 2 screws 'B' and  
2 screws 'C'



**Step 3**  
Depending on the thickness of  
the tile, adjust the 4 screws  
'D' to the correct height



**Step 4**  
Fix the frame by tightening the  
2 screws 'B' and 2 screws 'C'



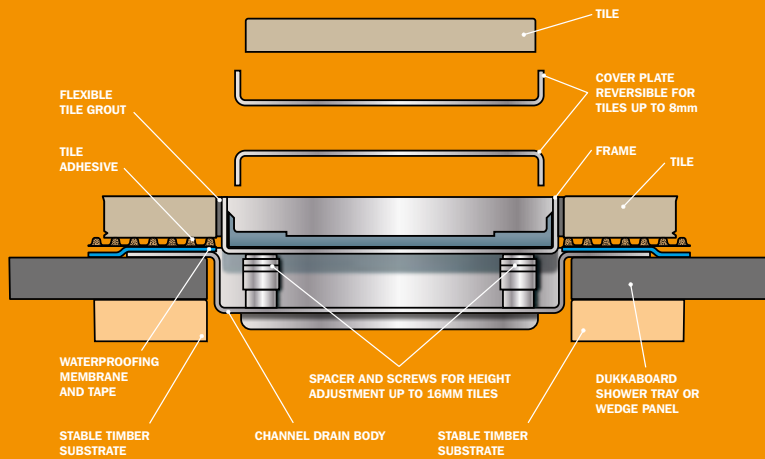
**Attention!!**  
Over tightening of these  
screws may cause distortion  
of the frame and cover.

**Step 5**  
Screw down the 4 screws 'A' until you  
feel that they have made contact with  
the drain bottom. These screws are  
only designed for supporting the frame

**Installation guidelines for Dukkaboard E-DRAIN**  
Channel drain for tiled floors

**Adjustment Instructions**  
DD-WA-0900

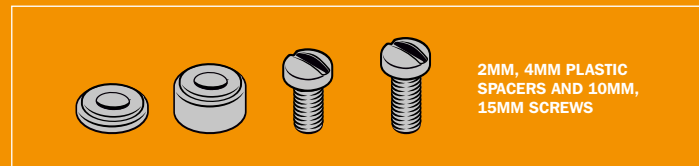
# Dukkaboard® CHANNELE-DRAIN



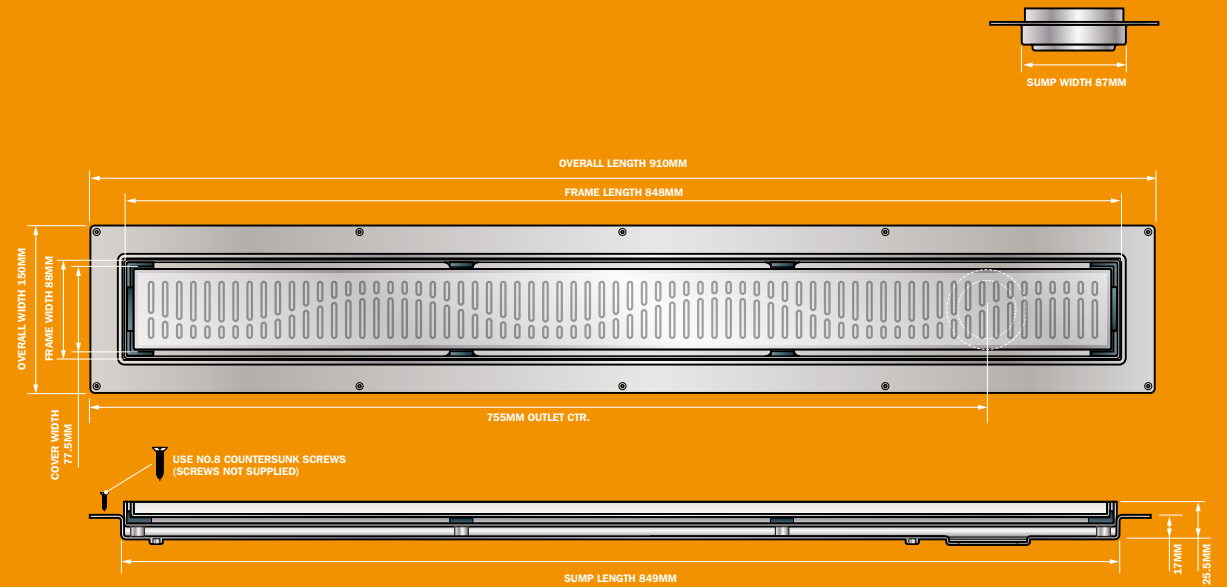
#### Channel Drain can be used in conjunction with:

- Dukkaboard Shower Tray and Wedge Panel
- A gradient to the Channel Drain of 1:40 should be provided and a waterproofing membrane or tanking system must be installed.
- Waterproof tile adhesive and flexible tile grout should always be used.
- The Frame without Spacers suits tiles up to 8mm.
- Plastic Spacers and 15mm screws enable Frame adjustment to suit 10-16mm tiles.
- Cover Plate is reversible to accommodate tiles up to 8mm.

Dukkaboard® Channel Drain should only be installed by a competent plumber and/or specialist flooring contractor.



#### DD-WA-0900 CHANNEL DRAIN SIZING



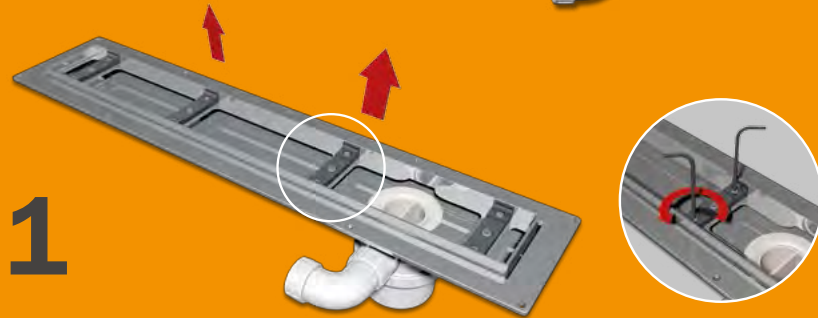
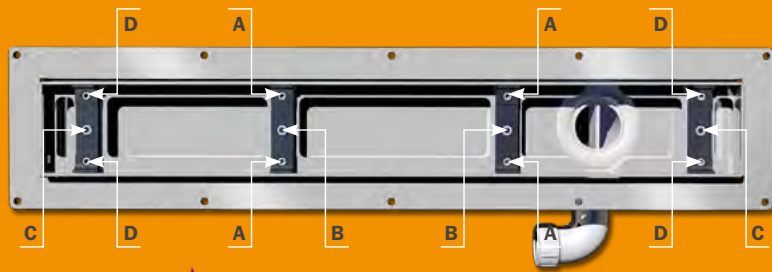
#### DD-WA-0900 CHANNEL DRAIN FOR TILED FLOORS FOR USE WITH TILES 8mm - 16mm

- 1 x Cover Plate - Reversible
- 1 x Frame
- 1 x Channel Drain Body
- 1 x 1½" x 50mm Water Seal Trap with Top Access
- 2 x Centre Plastic Guides with four 10mm screws
- 2 x End Plastic Guides with four 10mm screws
- 1 x Fittings bag containing:
  - 8 x 15mm Screws
  - 8 x 4mm Plastic Spacers
  - 16 x 2mm Plastic Spacers
- 1 x Suction Pad. (For Removing Cover Plate)

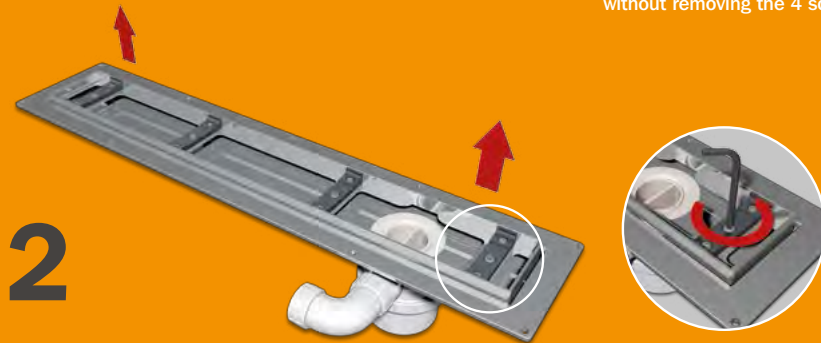
**Installation guidelines for Dukkaboard E-DRAIN**  
**Channel drain for tiled floors**

**Specification**  
**DD-WA-0900**

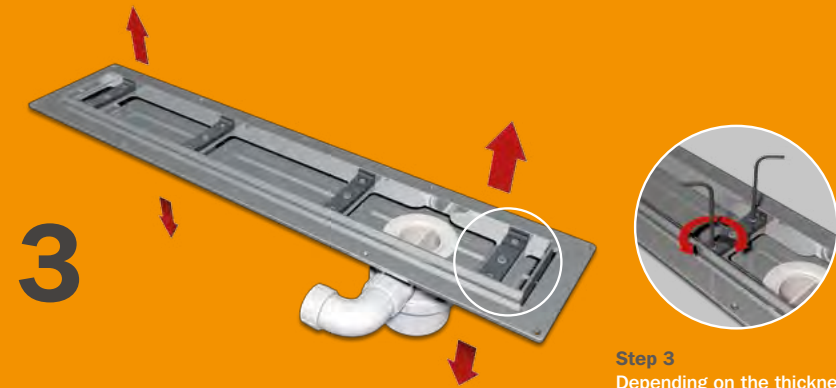
# Dukkaboard® CHANNELE-DRAIN



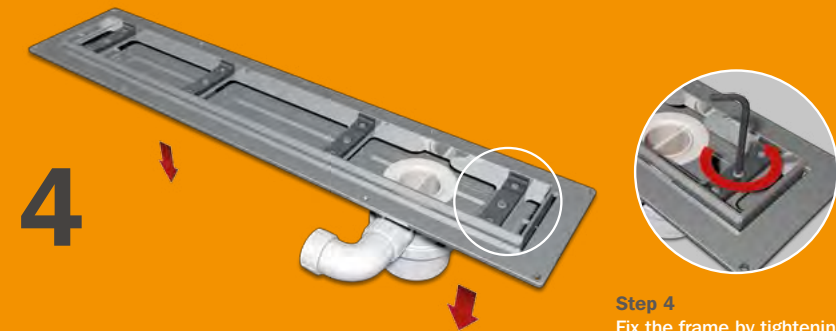
**Step 1**  
Screw up / raise to the limit but  
without removing the 4 screws 'A'



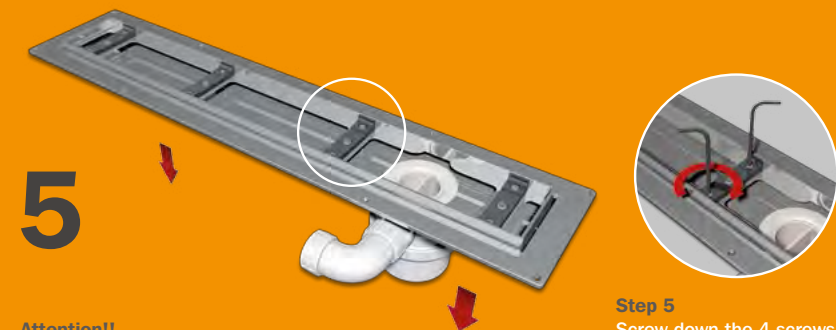
**Step 2**  
Loosen to the limit but without  
removing the 2 screws 'B' and  
2 screws 'C'



**Step 3**  
Depending on the thickness of  
the tile, adjust the 4 screws  
'D' to the correct height



**Step 4**  
Fix the frame by tightening the  
2 screws 'B' and 2 screws 'C'



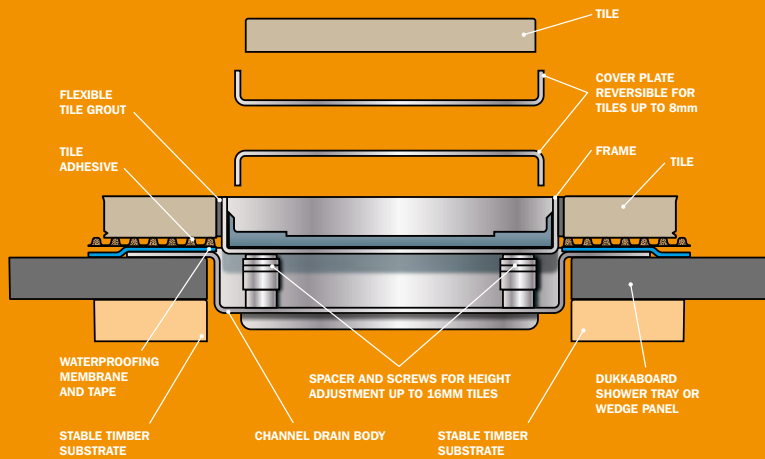
**Attention!!**  
Over tightening of these  
screws may cause distortion  
of the frame and cover.

**Step 5**  
Screw down the 4 screws 'A' until you  
feel that they have made contact with  
the drain bottom. These screws are  
only designed for supporting the frame

**Installation guidelines for Dukkaboard E-DRAIN**  
Channel drain for tiled floors

**Adjustment Instructions**  
DD-WA-1000

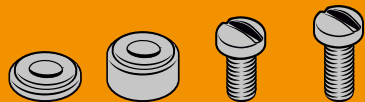
# Dukkaboard® CHANNELE-DRAIN



## Channel Drain can be used in conjunction with:

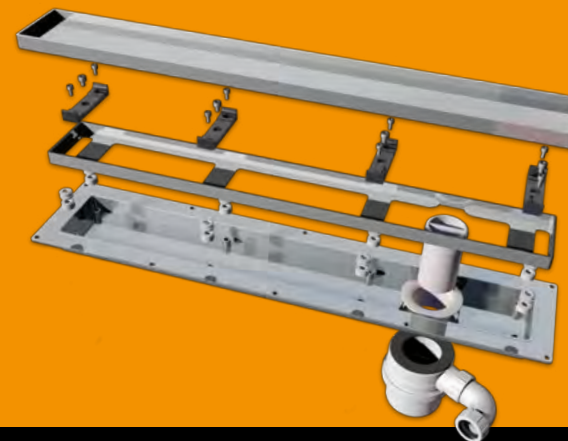
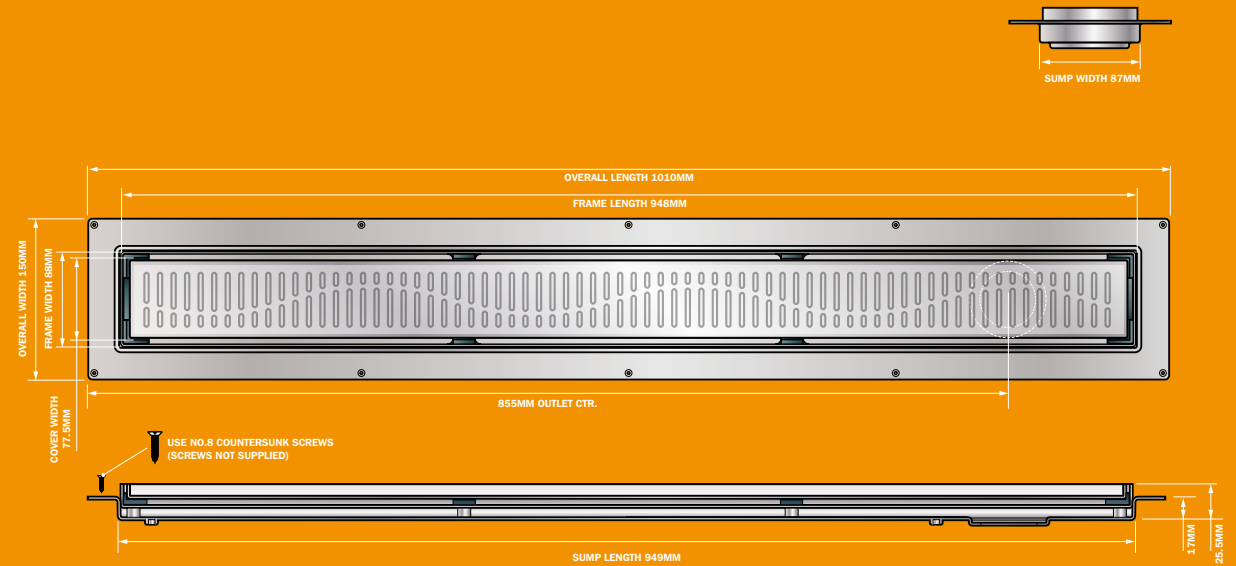
- Dukkaboard Shower Tray and Wedge Panel
- A gradient to the Channel Drain of 1:40 should be provided and a waterproofing membrane or tanking system must be installed.
- Waterproof tile adhesive and flexible tile grout should always be used.
- The Frame without Spacers suits tiles up to 8mm.
- Plastic Spacers and 15mm screws enable Frame adjustment to suit 10-16mm tiles.
- Cover Plate is reversible to accommodate tiles up to 8mm.

Dukkaboard® Channel Drain should only be installed by a competent plumber and/or specialist flooring contractor.



2MM, 4MM PLASTIC SPACERS AND 10MM, 15MM SCREWS

## DD-WA-1000 CHANNEL DRAIN SIZING



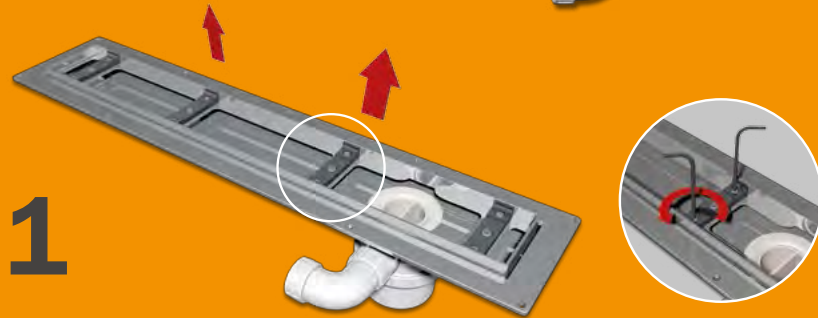
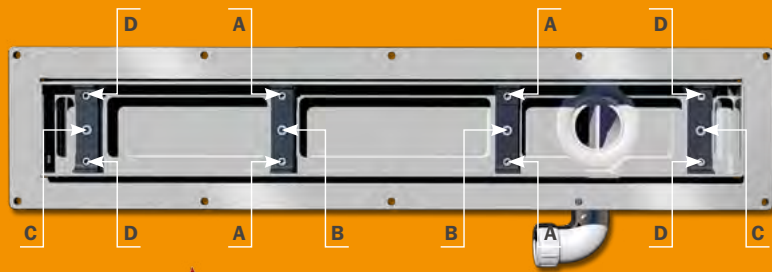
## DD-WA-1000 CHANNEL DRAIN FOR TILED FLOORS FOR USE WITH TILES 8mm - 16mm

- 1 x Cover Plate - Reversible
- 1 x Frame
- 1 x Channel Drain Body
- 1 x 1½" x 50mm Water Seal Trap with Top Access
- 2 x Centre Plastic Guides with four 10mm screws
- 2 x End Plastic Guides with four 10mm screws
- 1 x Fittings bag containing:
  - 8 x 15mm Screws
  - 8 x 4mm Plastic Spacers
  - 16 x 2mm Plastic Spacers
- 1 x Suction Pad. (For Removing Cover Plate)

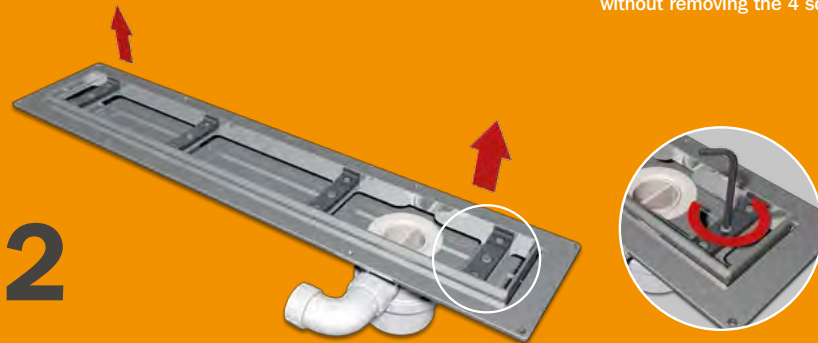
Installation guidelines for Dukkaboard E-DRAIN  
Channel drain for tiled floors

Specification  
DD-WA-1000

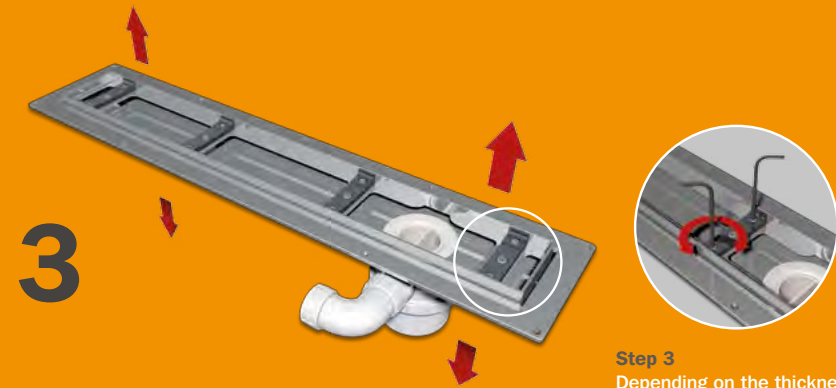
# Dukkaboard® CHANNELE-DRAIN



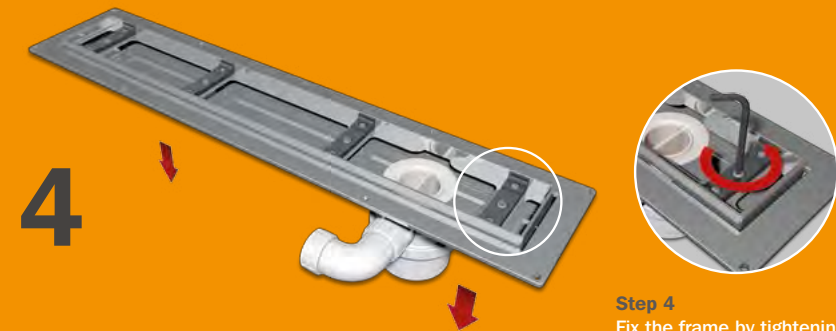
**Step 1**  
Screw up / raise to the limit but without removing the 4 screws 'A'



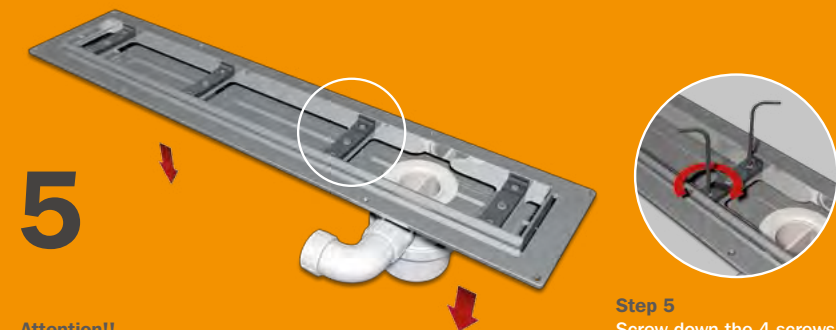
**Step 2**  
Loosen to the limit but without removing the 2 screws 'B' and 2 screws 'C'



**Step 3**  
Depending on the thickness of the tile, adjust the 4 screws 'D' to the correct height



**Step 4**  
Fix the frame by tightening the 2 screws 'B' and 2 screws 'C'



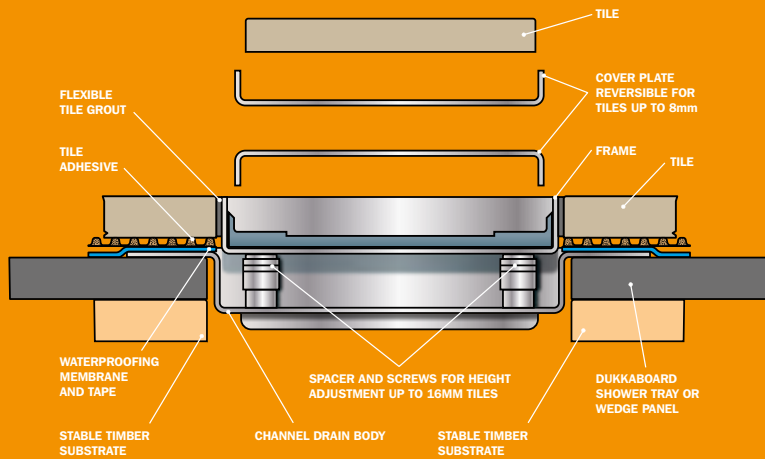
**Attention!!**  
Over tightening of these screws may cause distortion of the frame and cover.

**Step 5**  
Screw down the 4 screws 'A' until you feel that they have made contact with the drain bottom. These screws are only designed for supporting the frame

**Installation guidelines for Dukkaboard E-DRAIN**  
Channel drain for tiled floors

**Adjustment Instructions**  
DD-WA-1200

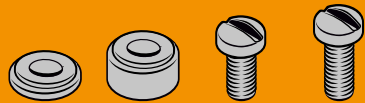
# Dukkaboard® CHANNELE-DRAIN



## Channel Drain can be used in conjunction with:

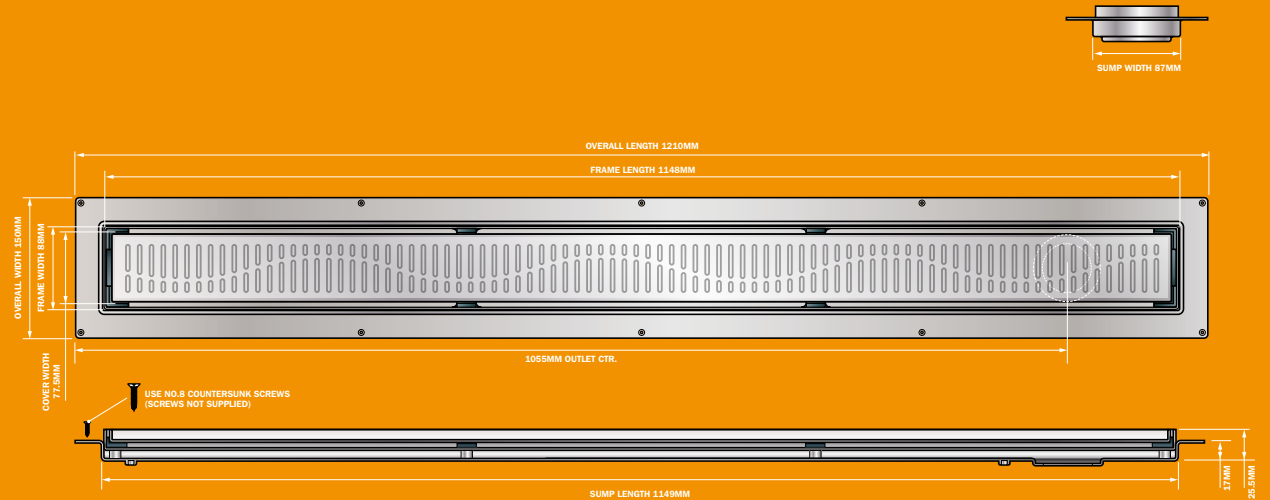
- Dukkaboard Shower Tray and Wedge Panel
- A gradient to the Channel Drain of 1:40 should be provided and a waterproofing membrane or tanking system must be installed.
- Waterproof tile adhesive and flexible tile grout should always be used.
- The Frame without Spacers suits tiles up to 8mm.
- Plastic Spacers and 15mm screws enable Frame adjustment to suit 10-16mm tiles.
- Cover Plate is reversible to accommodate tiles up to 8mm.

Dukkaboard® Channel Drain should only be installed by a competent plumber and/or specialist flooring contractor.



2MM, 4MM PLASTIC SPACERS AND 10MM, 15MM SCREWS

## DD-WA-1200 CHANNEL DRAIN SIZING



## DD-WA-1200 CHANNEL DRAIN FOR TILED FLOORS FOR USE WITH TILES 8mm - 16mm

- 1 x Cover Plate - Reversible
- 1 x Frame
- 1 x Channel Drain Body
- 1 x 1½" x 50mm Water Seal Trap with Top Access
- 2 x Centre Plastic Guides with four 10mm screws
- 2 x End Plastic Guides with four 10mm screws
- 1 x Fittings bag containing:
  - 8 x 15mm Screws
  - 8 x 4mm Plastic Spacers
  - 16 x 2mm Plastic Spacers
- 1 x Suction Pad. (For Removing Cover Plate)

Installation guidelines for Dukkaboard E-DRAIN  
Channel drain for tiled floors

Specification  
DD-WA-1200