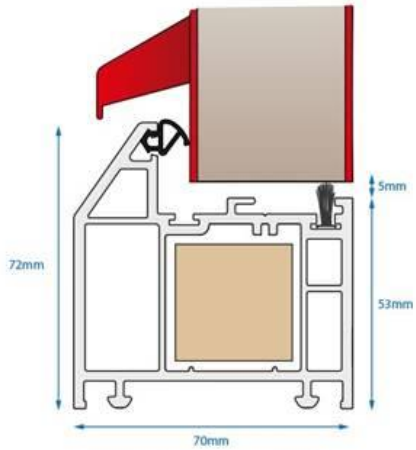


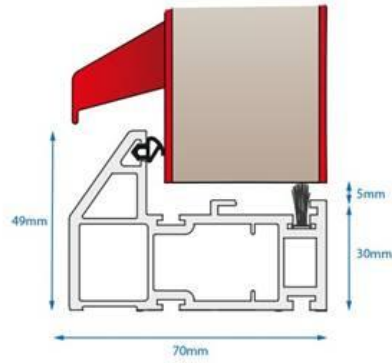
DSI Profile Thresholds

Full Frame



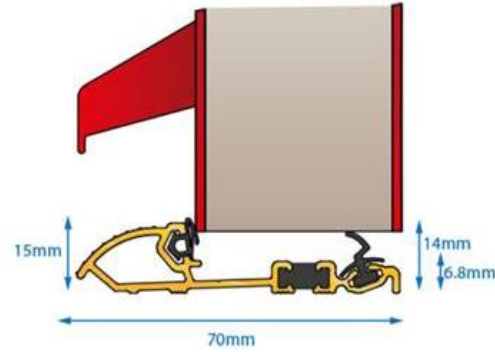
Example shown is Door-Stop profile

Low Frame

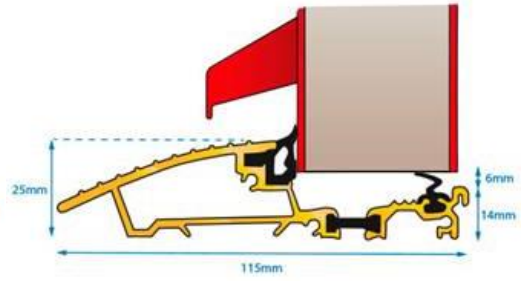


Example shown is Door-Stop profile

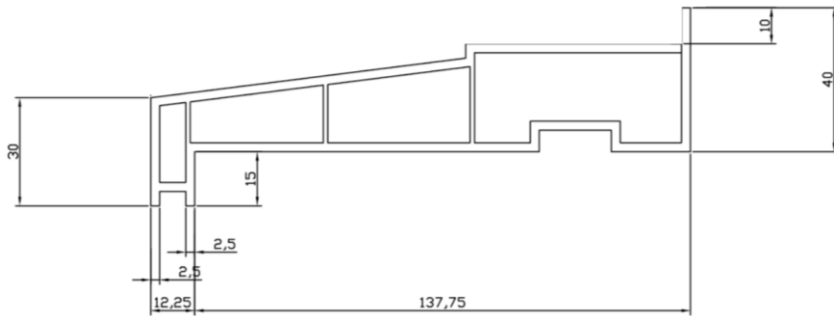
Wheelchair



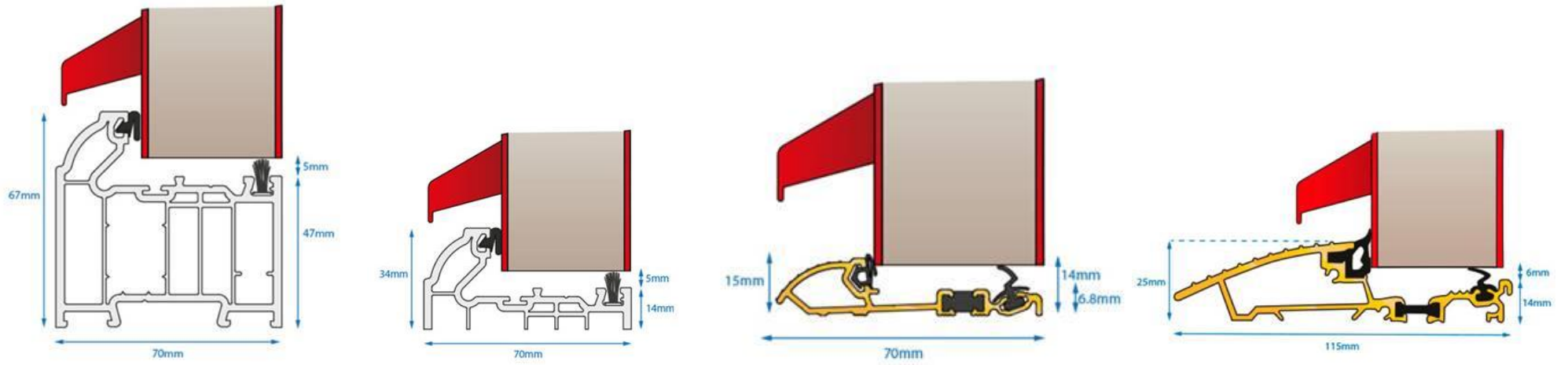
Wheelchair MDS25



DSI Profile 150 mm Cill: Not Compatible with the Wheelchair MDS25 option.



Liniar Profile Thresholds



Rehau Profile Thresholds

