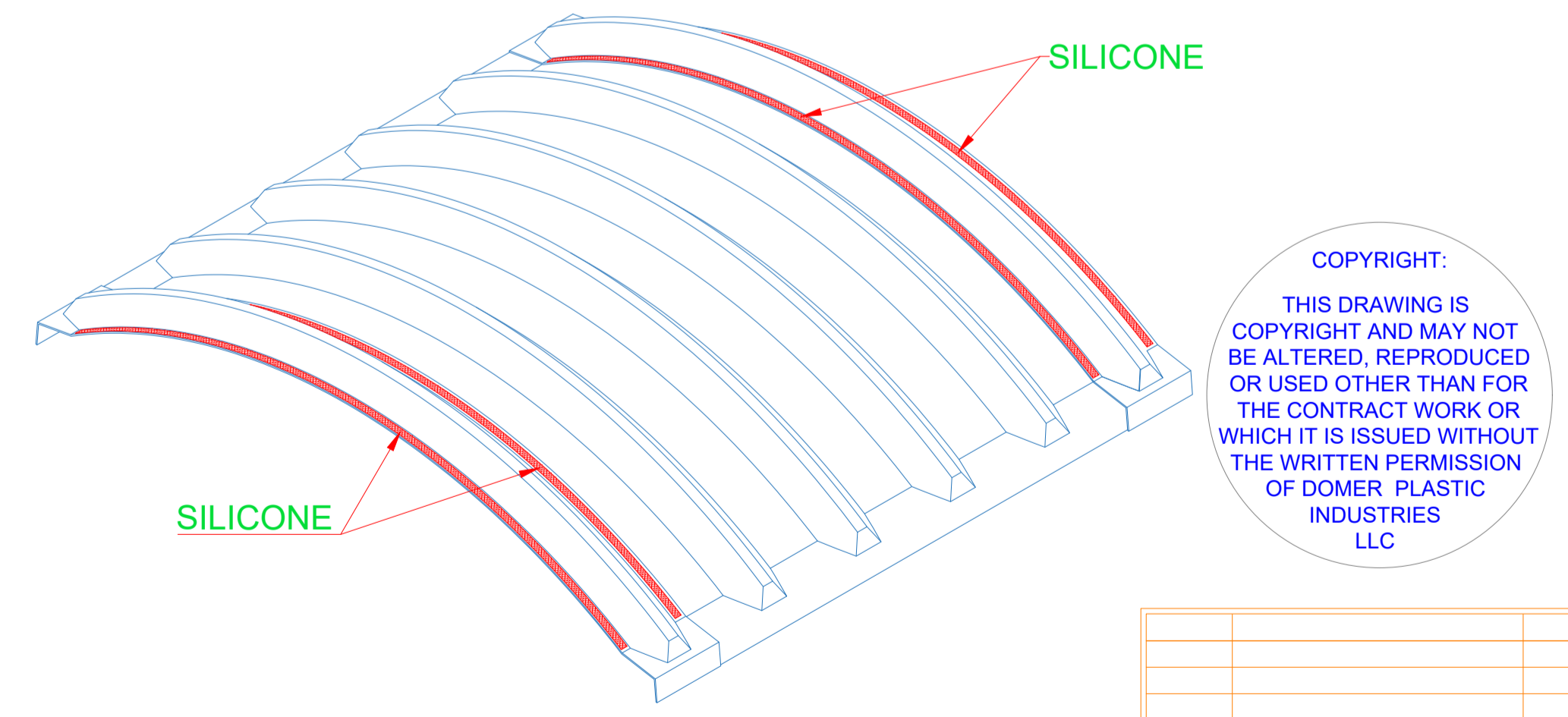
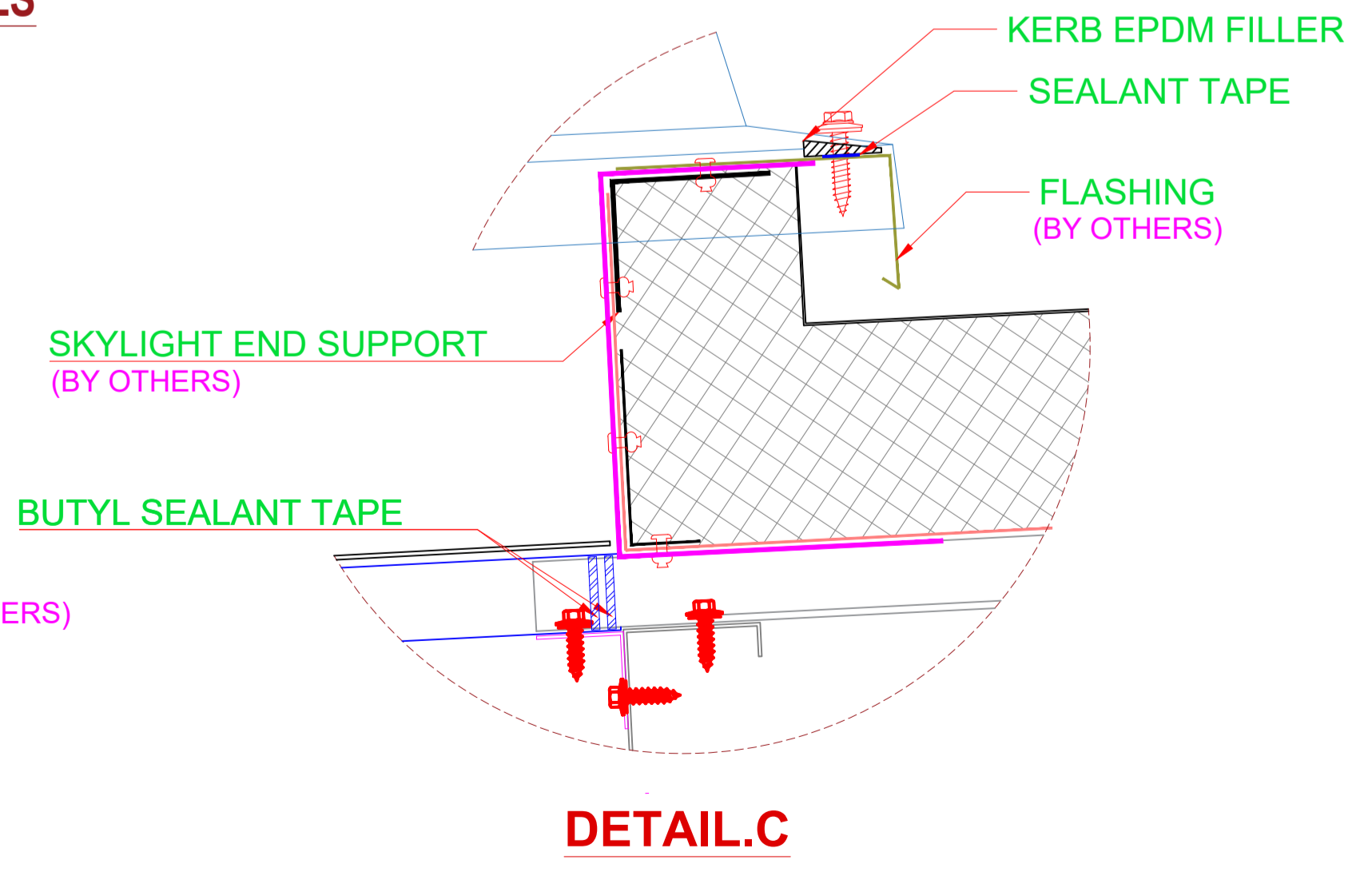
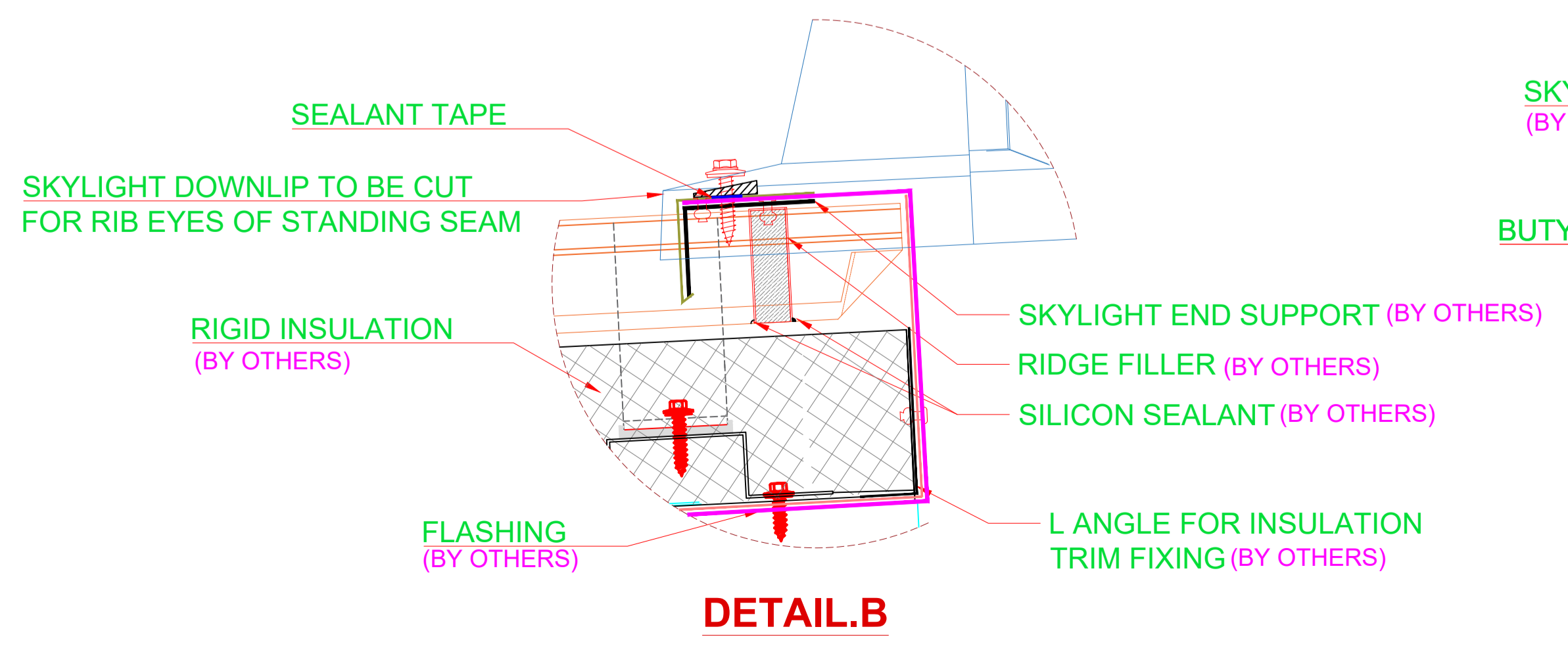
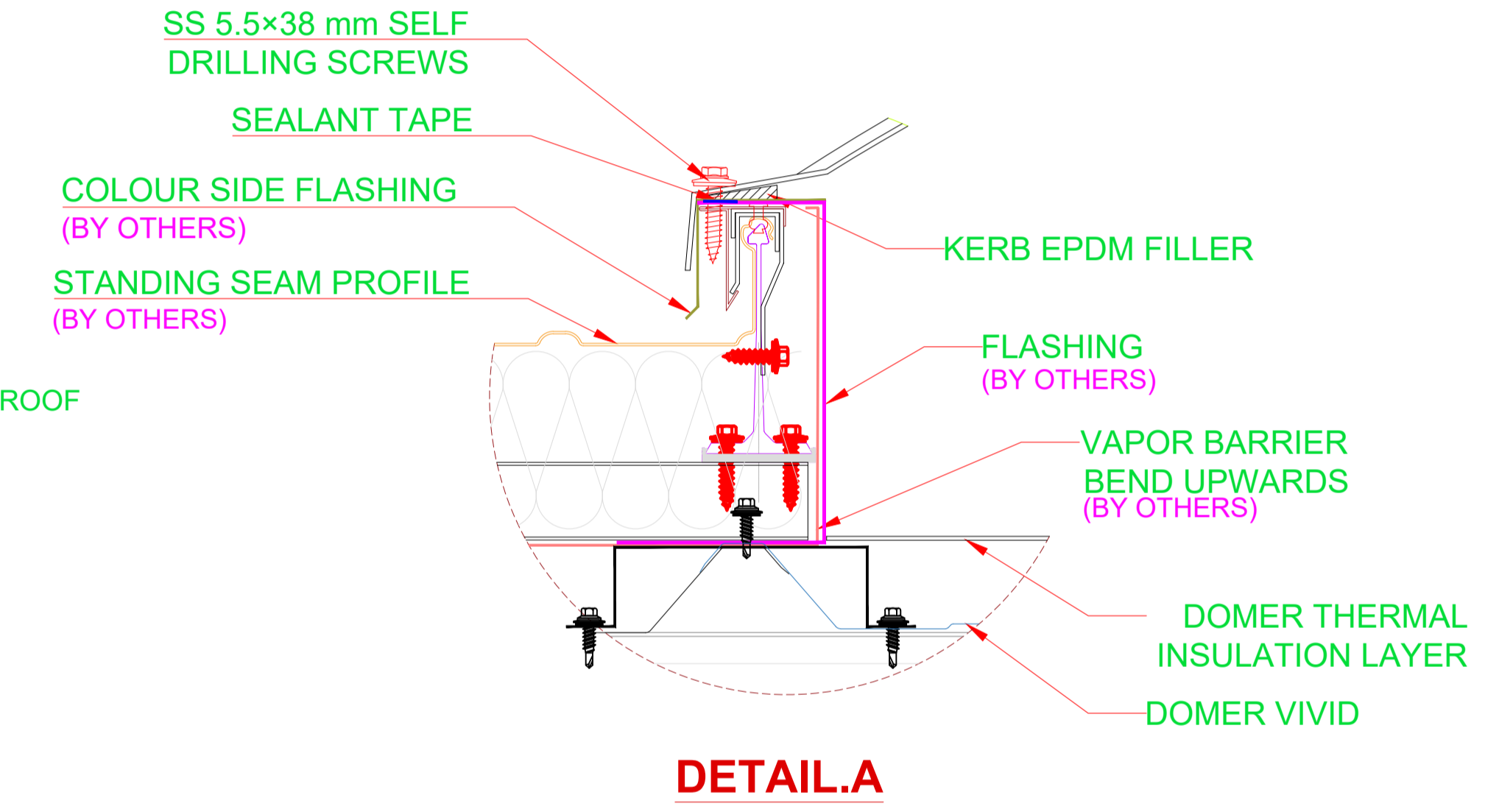
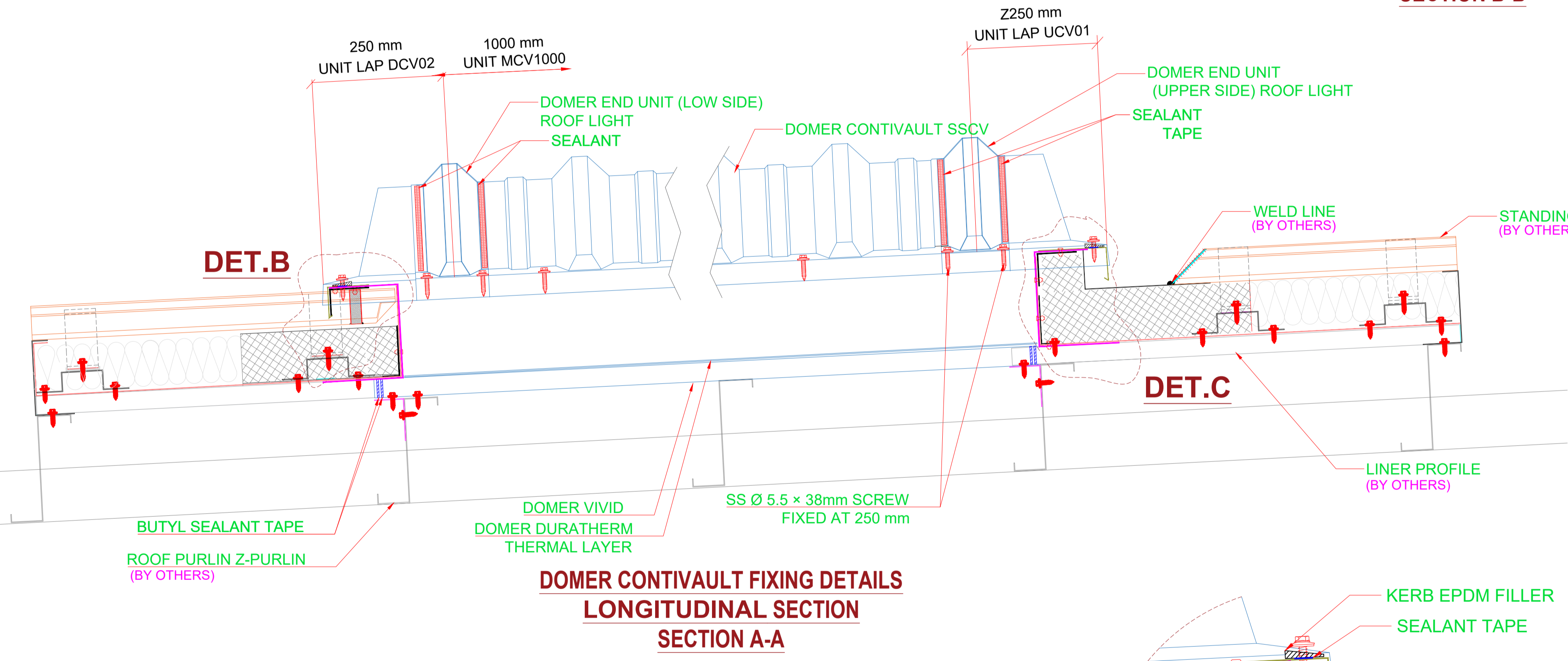
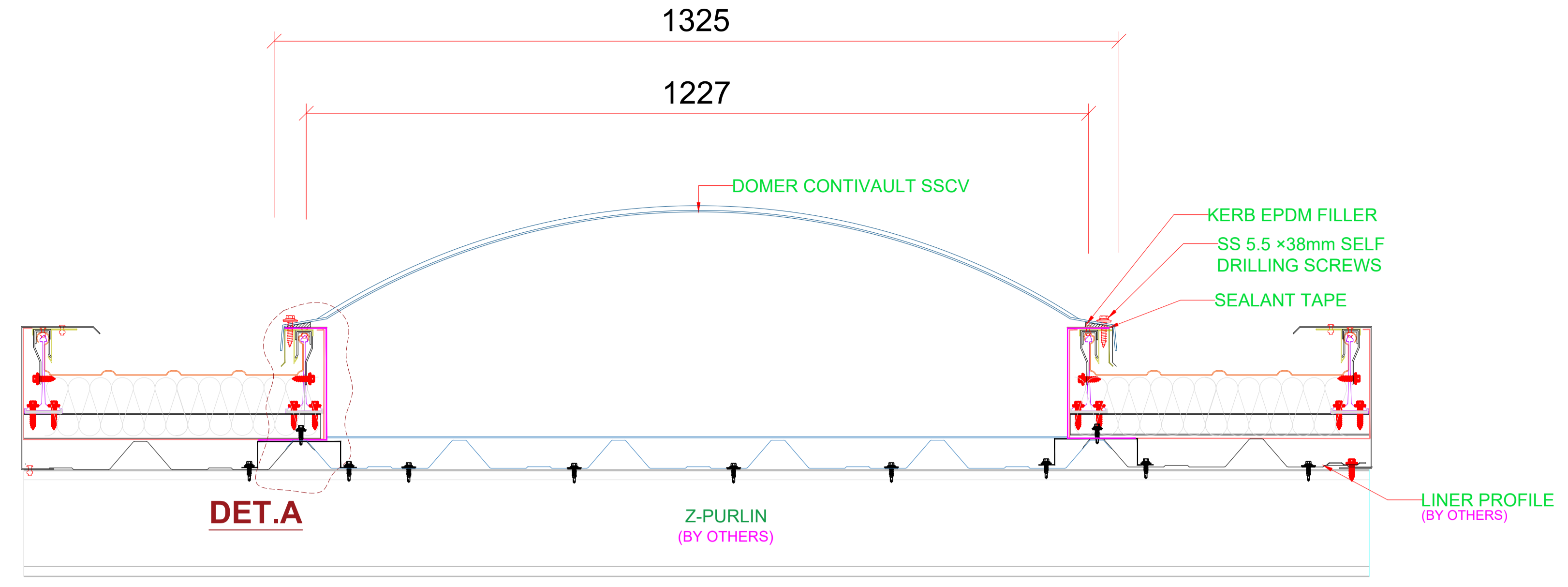
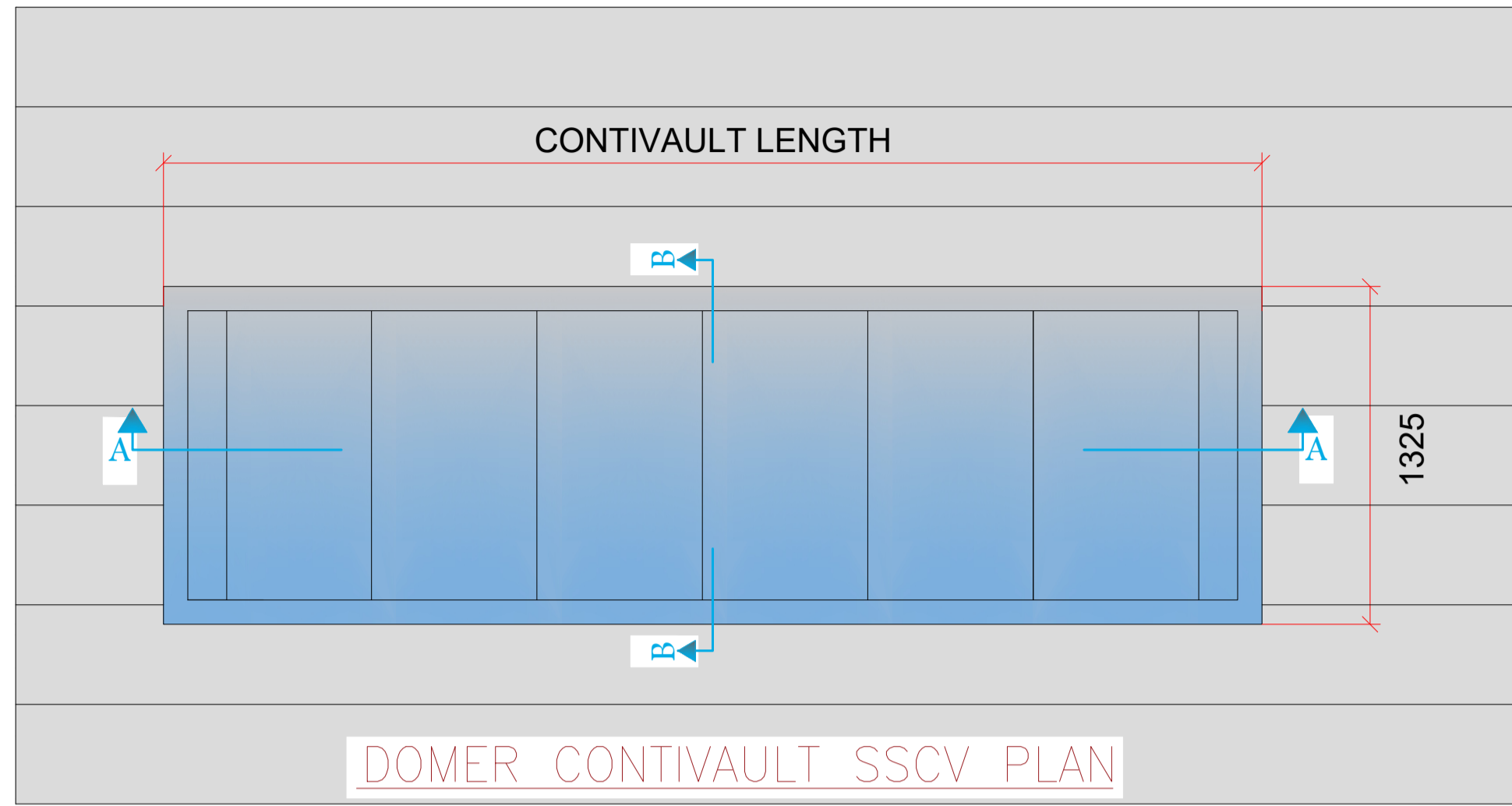


TYPICAL DRAWINGS



Domer Plastic Industries LLC reserves the right to alter the specification without any notice, the contents of this publication are indicative however studied carefully to be as accurate as possible, Domer Plastic Industries LLC & its subsidiary companies do not accept responsibility for errors or for information that is found to be misleading. Suggestions for, or description of, the end use or application of products or methods of working are for information only and Domer Plastic Industries LLC and its subsidiaries do not accept liability in respect thereof.



COPYRIGHT:
THIS DRAWING IS COPYRIGHT AND MAY NOT BE ALTERED, REPRODUCED OR USED OTHER THAN FOR THE CONTRACT WORK OR WHICH IT IS ISSUED WITHOUT THE WRITTEN PERMISSION OF DOMER PLASTIC INDUSTRIES LLC

NOTE:
INDICATIVE ONLY, DESIGN BY OTHERS.

| REV. NO. | DESCRIPTION | DATE |
|----------|-------------|------|
| | | |
| | | |

COMPANY: **DOMER PLASTIC INDUSTRIES LLC**
DUBAI INDUSTRIAL CITY, PHASE 1, M13
UNITED ARAB EMIRATES
WEBSITE: www.domer.co

SECTOR NO: PLOT NO:

DRAWING TITLE:
DOMER CONTIVAUULT TYPICAL DRAWING

| | | |
|---|---------------------|-----------------------|
| SCALE: | CHECKED: AHK | APPROVED: JGR |
| REF: | DRAWN BY: N.K. | DATE: 15.04.2026 |
| DRAWING NO: DWG - TYP - CV - Rev00 | REV: 00 | |