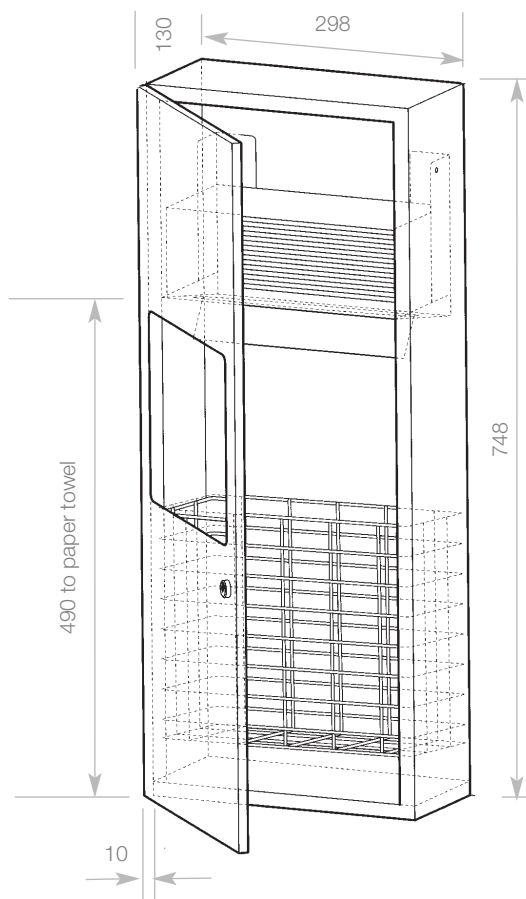


Combination Units

Recessed

Combination Units



WP 612 Dolphin Prestige Paper Towel Dispenser and Waste Bin Combination Unit

- Superior quality and timeless design for prestigious washrooms
- Easy-care 18/10 stainless steel
- Satin finish, welded corners – no sharp edges
- Double skin door
- Removable chrome-plated wire basket
- Can be installed flush with tiles
- Also available in polished stainless steel or plastic powder coated to a colour of your choice

Product Data

- H 748 x W 298mm
- Projection flush
- Recess dimensions H 750 x W 300 x D 130mm
- Capacity 250 paper towels
- Bin capacity 7 litres
- Also available with an integral recessed frame, see pages 134-135

Mounting heights guide, see pages 316-325

Related items



DB 200
page 178



DBL 400
page 180



WP 106
page 11



WP 208R
page 12



WP 112R
page 105



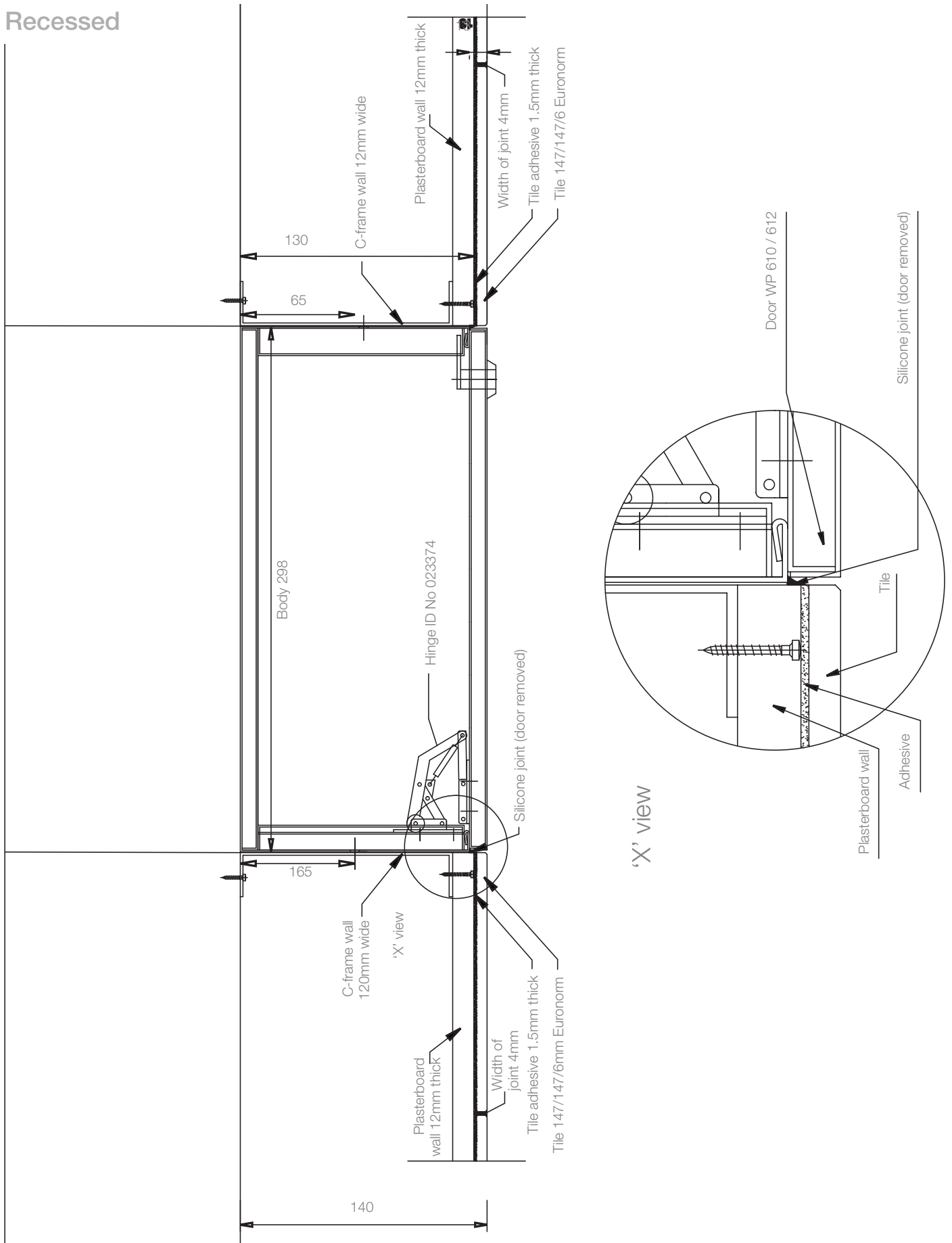
BC 2006
page 159



Combination Units

Recessed

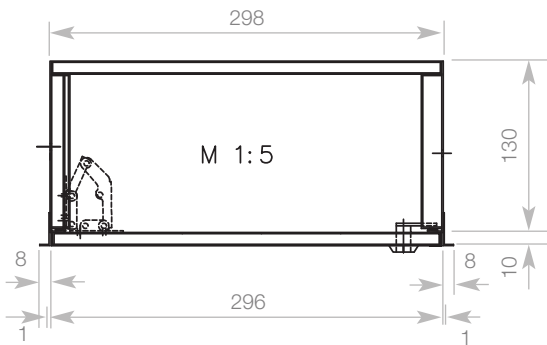
Combination Units



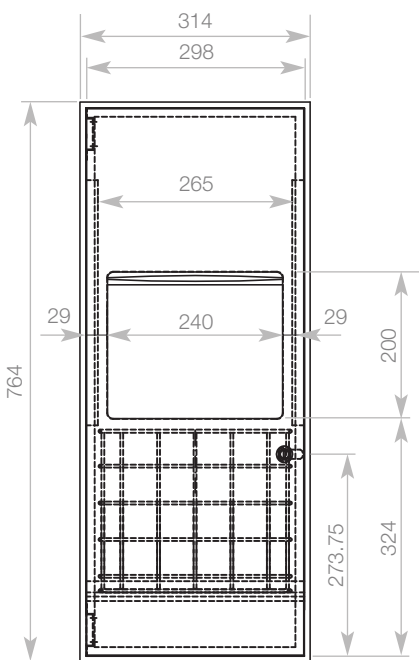
Recessed

WP 612 RF Dolphin Prestige Paper Towel Dispenser and Waste Bin
Combination Unit with **Integral Recessed Frame**

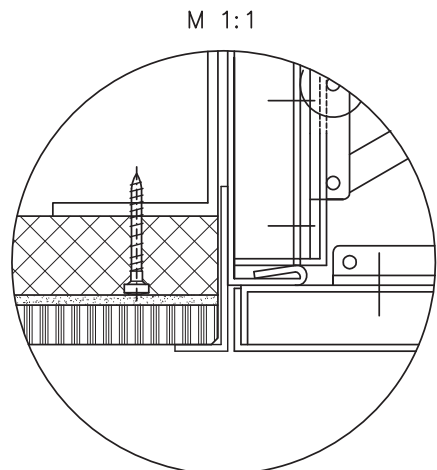
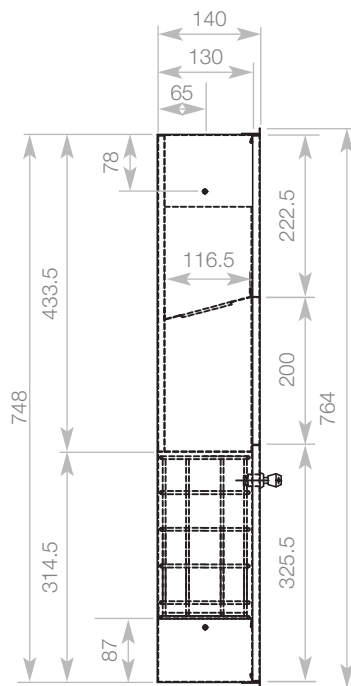
For product descriptions and features see
WP 612 on page XXX



Combination
Units



WP 612 RF



Details of recess frame

WP 610 RF