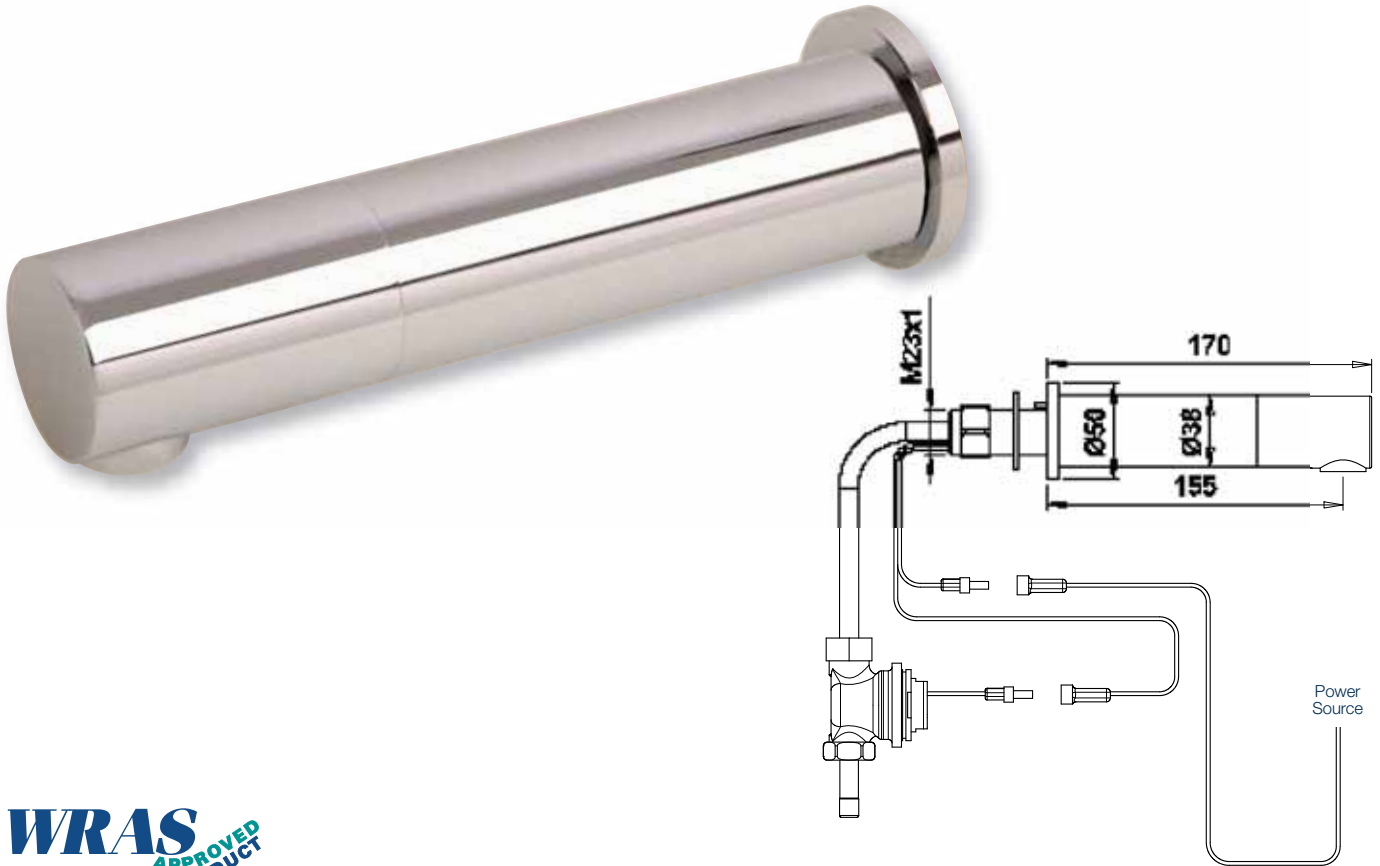


Panel Mounted



DB 400 / DB 425 Dolphin Blue Panel Mounted Infrared Tap

- Touch Free Tap – for ultimate hygiene – prevents cross contamination
- Quality polished chrome plated brass or lacquered nickel plated brass finishes available
- Water Supply: Single inlet cold or pre-mixed – a TMV2 or TMV3 thermostatic mixing valve is recommended for premixed applications
- Flow rate – 3.8 litres/minute (other flow rates available to special order – please enquire)
- Interchangeable STD M22/24 Neoperl Aerator insert
- Tap settings may be adjusted manually or by using remote control (DB51 – see page 188)
- Mandatory Hygiene Flush feature can be specified to combat Legionella – please specify at time of ordering
- **WRAS Approved Product**
- 2 year manufacturer's warranty
- Maximum water temperature 70°C
- Operating pressure 0.5–8.0 bar (7–116 PSI)

Product Data

- Ø 38 x projection 170 mm
- Power Connections: tap female, power source male
- Power options: Plug-in 9 volt transformers or 9 volt battery (with low battery warning) – for other power source options see page 190-191
- Panel hole Ø 23-40mm Min-max panel thickness 10-30mm
- Power Connections: tap female, power source male

Product Codes

Polished chrome finish

- Powered by 6 x AAA / 9v PP3 battery **DB 400C**
- Powered by 9v plug in transformer **DB 425C**

Brushed nickel finish

(designed to match brushed stainless steel)

- Powered by 6 x AAA / 9v PP3 battery **DB 400S**
- Powered by 9v plug in transformer **DB 425S**

Related items



DB 100
page 177



WP 520
page 142



WP 174
page 24



WP 174-1
page 24



WP 194
page 39



WP 176
page 109