

BC 5262 Dolphin Behind Mirror Hot Air Hand Dryer and Paper Towel Dispenser

Mounting Instructions

Please read carefully before use



Behind Mirror



BC 5262-102 Behind Mirror Hot Air Hand Dryer can be fitted and removed from below



BC 5262-103 Behind Mirror Paper Towel Dispenser can be fitted and removed from below



One universal bracket suits both products

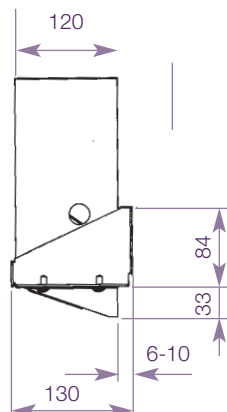
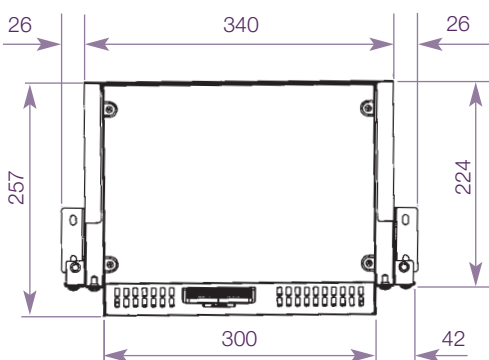


Robust manufacture and security fixings minimise vandalism

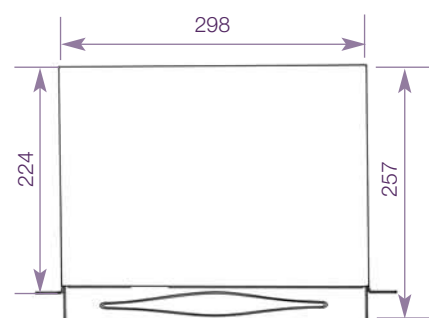


Simple installation and removal

BC 5262-102 Hot Air Hand Dryer



BC 5262-103 Paper Towel Dispenser



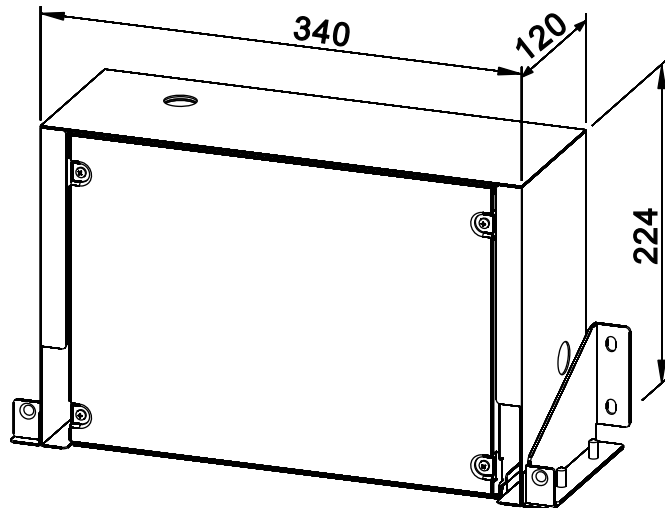


AUTOMATIC HAND DRYER

Operating Instructions and Parts Manual (Automatic)

Surface Mount

Unit: mm



Operating Voltage	230-240 Vac, 50/60Hz, 2.2-2.4Kw
Warm Air Volume Output	314.5m ³ /h (185 CFM)
Warm Air Temp Output	60°C at ambient T=20°C
Motor Type	¼ HP, 7500 rpm, Brush Type, 200W, Dual Ball Bearings
Motor Thermal Protection	Auto Resetting Thermostat turns unit off at 105°C (221°F)
Heater Element	2200W
Heater Thermal Protection	Auto Resetting Thermostat turns unit off at 87°C (189°F) Thermal fuse cuts unit off at 141°C (286°F)
Drying Time	Less than 15 seconds
Circuit Operation	Infrared Automatic, self adjusting
Sensor Range	Adjustable; standard 18 cm ± 2 cm
Time Protection	1 minutes auto shut off
Time Duration	2 seconds delayed turn off after last sensor read
Cover Type	Stainless steel, 1.5 mm thick
Cover Finish	Stain finished
Net Weight	4.5 kg [9.9 lbs]
Shipping Weight	5.5 kg [12.1 lbs]
Unit Size	W x H x D [278mm x 418mm x 133.5mm]

Recommended mounting heights - from bottom edge of dryer above finished floor (AFF)

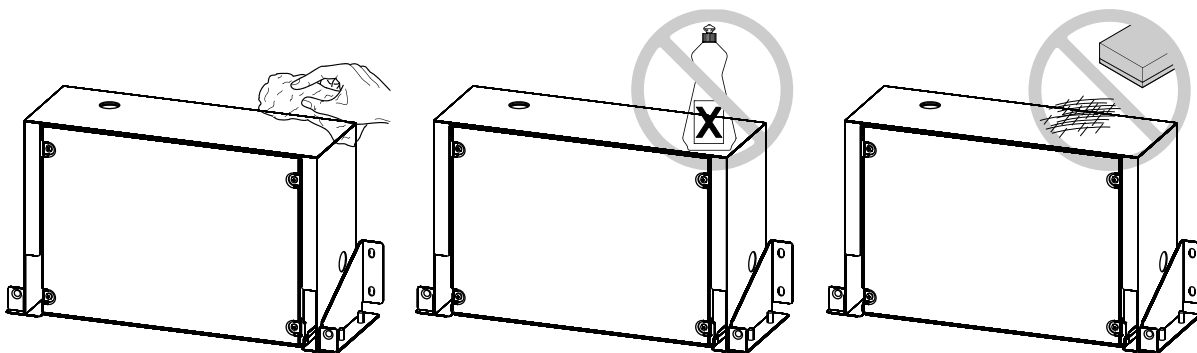
Men	(40")	1000 mm
Women	(38")	960 mm
Children 4-7 years	(32")	812 mm
Children 8-10 years	(34")	860 mm
Children 11-13 years	(36")	910 mm
Children 14-16 years	(38")	960 mm
Handicaped	(34")	860 mm

Important: minimum mounting height above counter or surface beneath – 300mm

Cleaning and Maintenance

Periodic cleaning of the unit is recommended to ensure optimum performance.

- Disconnect the electrical supply.
- Remove the two cover-mounting screws.
- Remove the cover.
- Clean all dust lint from the interior of the dryer.
- Wipe the cover with a damp cloth and mild cleaning solution. Do not Soak. Never use abrasives to clean the cover.
- Replace the cover. Do not over tighten the screws.



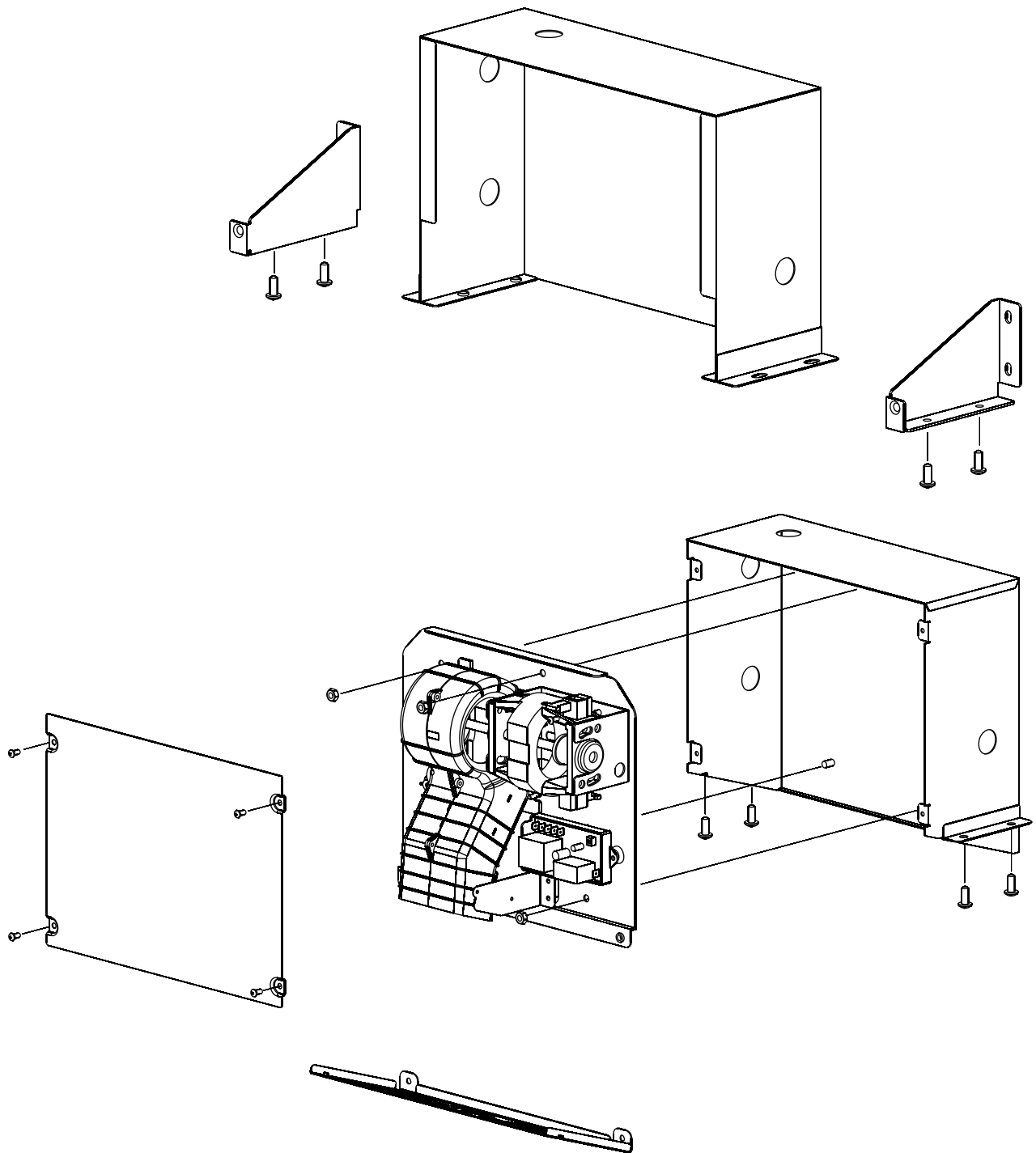
Operation

- No-touch operation
- Shake excess water from hands.
- Place hands under the outlet to start operation.
- Rub hands lightly and rapidly.
- Stops automatically after hands are removed.

Hand Dryer Operating Instructions and Parts Manual

Surface-mounted hand dryer

Diagram



BC 5262-102 and BC 2201

Sensing Range Adjustment

These dryers are supplied with a factory set range, it is adjustable but where possible it is better left at the factory setting.

If you want to modify the SENSING RANGE, please use the following procedures:

With reference to the time assembly drawing below (fig 1.)

- Isolate the dryer from the power supply
- Remove the ENCLOSURE/HOUSING of the hand dryer
- Remove the outlet case of the TIMER ASSEMBLY
- Find the SENSING RANGE ADJUSTER inside the TIMER ASSEMBLY
- Use a small suitable screw driver to adjust the SENSING RANGE ADJUSTER

Clockwise to lengthen
the sensing range (+)

Anticlockwise to shorten the
sensing range (-)



Figure 1

Bell-Chem Products Company
Haywood Way, Hastings, TN35 4PL
Tel: 01424 202224
info@dolphindispensers.co.uk
www/dolphindispensers.co.uk

