

BC 5083-06 Dolphin Stainless Steel Hinged Support Rail User Manual

Please read carefully before use



FOLDING GRAB BAR

BC5083-06

SPECIFICATIONS:

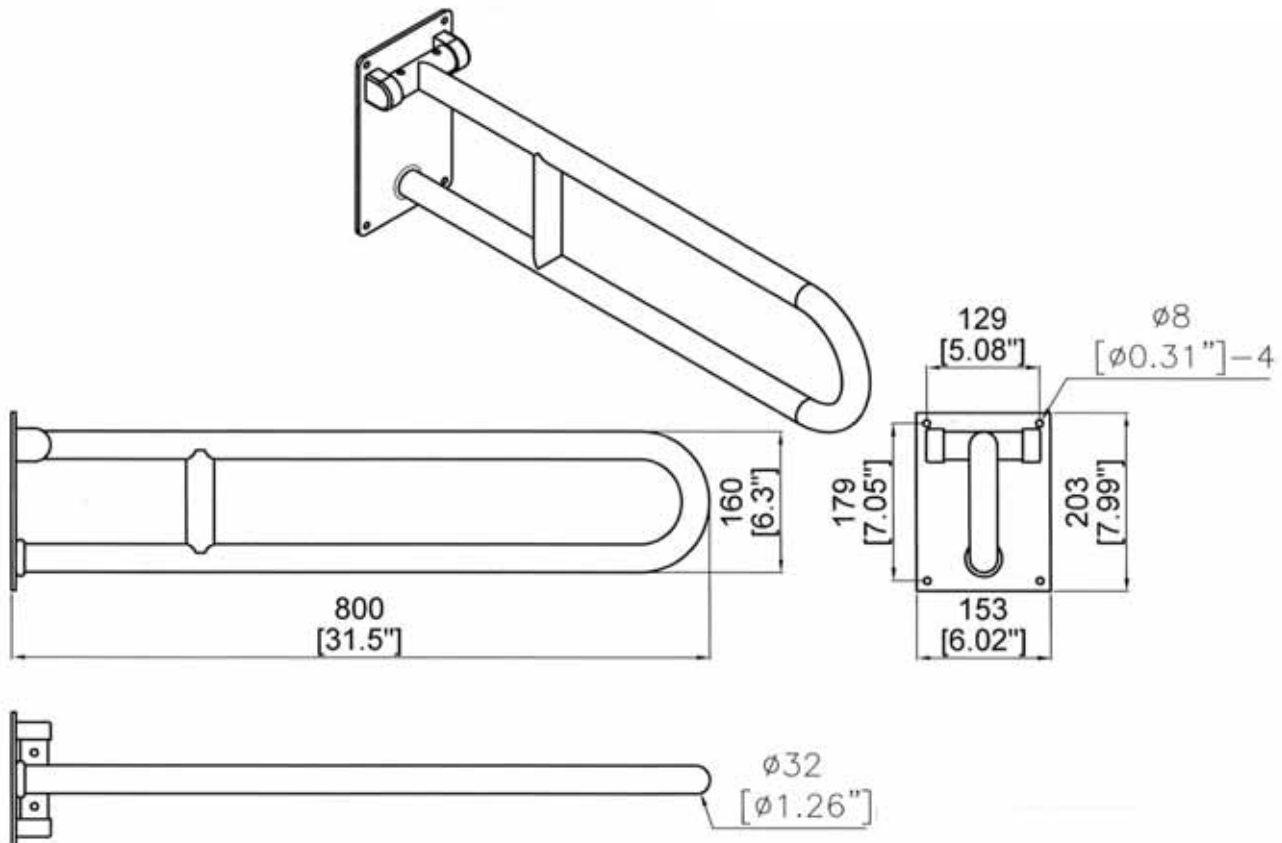
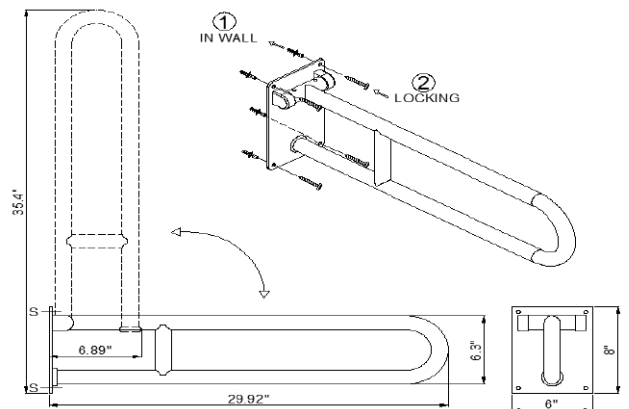
Material – 304 Stainless Steel
Includes – Mounting Hardware

INSTALLATION:

1. Place the anchor (1) on the wall where desired. **IMPORTANT:** Folding Grab Bars must be anchored into a wood stud.
2. With a pencil, mark the mounting holes locations.
3. Mount the anchor with screws provided.
4. Fasten the folding bar (2) to the anchor (1) with screws provided.

Note:

Grab bars are to be mounted to a secure surface. Bell-Chem Products Co shall not accept responsibility for any and all damage caused by lack of wall strength or improper installation.





Bell-Chem Products Company
Haywood Way, Hastings, TN35 4PL
Tel: 01424 202224
info@dolphindispensers.co.uk
www/dolphindispensers.co.uk