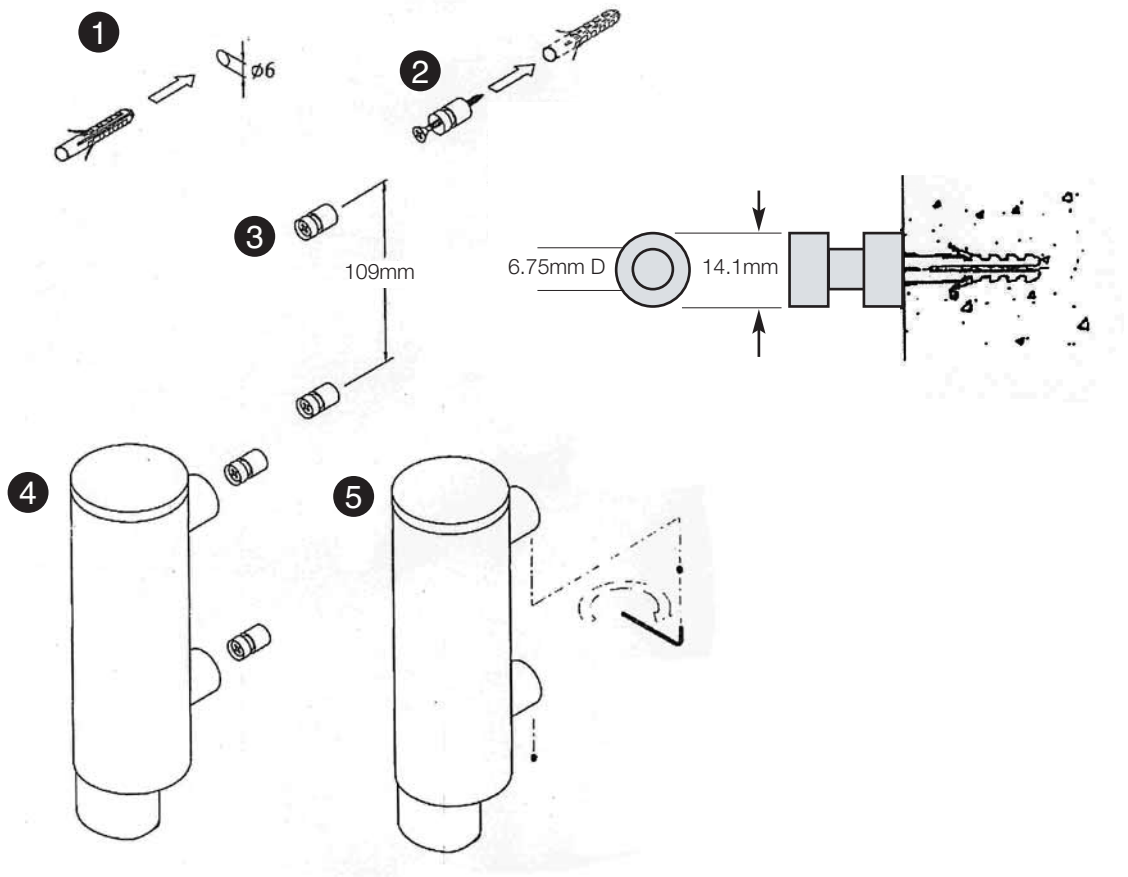


# BC 360 Dolphin Soap Dispenser

## User Manual

Please read carefully before use





## BC 360 Dolphin Stainless Steel Soap Dispenser

### 1. Installation (see drawing)

#### 2. Filling the dispenser

- This dispenser is designed for only Ph neutral liquid soaps.
- Avoid using very thick liquids.
- Use of any other type of soap or liquid is NOT covered by our warranty
- When filling with liquid soap, be sure to wipe off liquid spilled onto the container

### 3. Maintaining the dispenser

- If the dispenser is not used for a long period of time and becomes clogged, pour only warm water into the dispenser and gently pump it to clear the blockage. NEVER try inserting a sharp object eg. pin into the soap nozzle, which could irreparably damage the pump and void the warranty.
- Only clean INSIDE the dispenser with warm water, NEVER use solvents or aggressive household cleaners like bleach, acids (eg. descalers) or ammonia based bathroom cleaners.
- To clean the OUTSIDE of the dispenser, use warm soapy water or approved stainless steel cleaners
- Should brown deposits appear around the lid or pump, remove with a brush or pan cleaning pad and soapy water.
- Hard deposits can be scratched off with a fingernail or BLUNT knife. This deposit is not rust as stainless steel does not rust. To avoid it, try changing to a milder liquid soap with a neutral Ph.



#### Bell-Chem Products Company

Haywood Way, Hastings, TN35 4PL

Tel: 01424 202224

info@dolphindispensers.co.uk

www/dolphindispensers.co.uk