

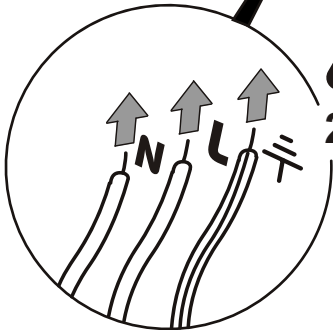
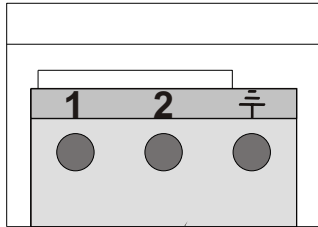
# BC 28SCA Dolphin Velocity Hand Dryer, Paper Towel and Bin Combination Unit User Manual

Please read carefully before use

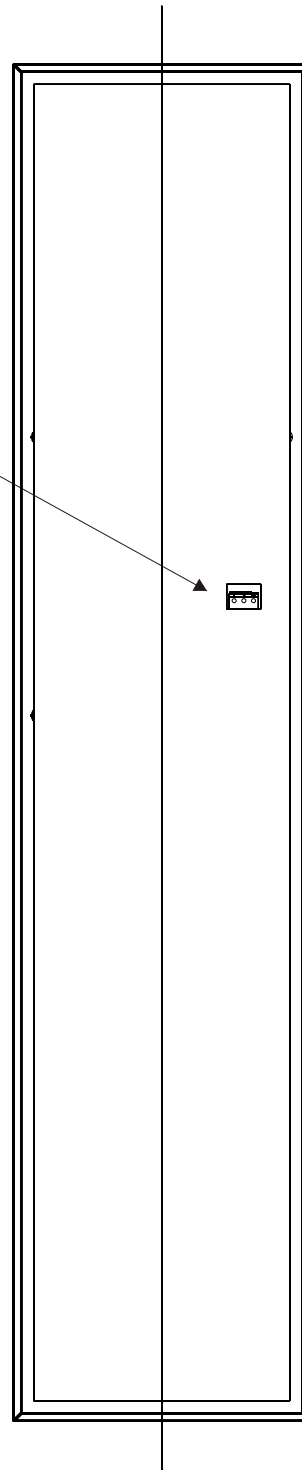


# Dryer Wiring Instructions :

## Terminal Block



220-240Vac 50Hz



The back of the Cabinet

## Connections:

- Connect the neutral wire (colored black or blue) to the terminal block marked "1".
- Connect the live wire (colored red or brown) to the terminal block marked "2".
- Connect the ground wire (colored green and yellow) to the green screw marked "⏏".

## Important Information

This Product falls within the scope of the Waste Electrical & Electronic Equipment Directive 2002/96 EC. (WEEE)



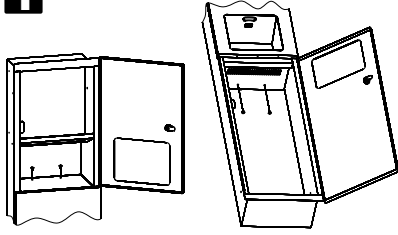
### NOTE:

This Product should not be disposed of with household waste  
Please recycle where facilities exist.  
Check with your local authority for recycling advice.

# Dryer Wiring Instructions :

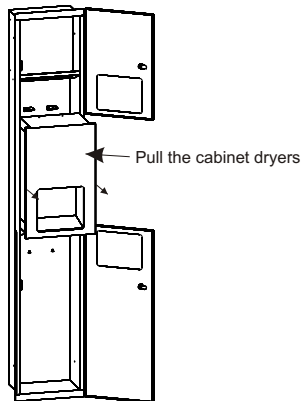
## Brushes replacement

**1**

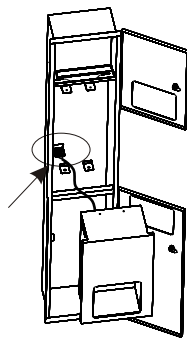


- Turn off power to the dryer at electrical panel.
- Using the screwdriver to take off the upper and lower cabinet dryers screws

**2**

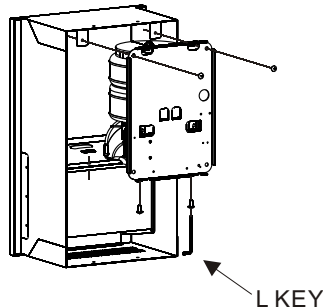


**3**



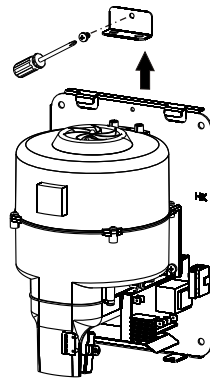
- Unplug the power cord connected to the terminal box

**4**



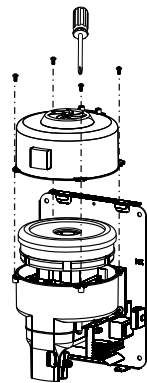
- Loosen the four main groups screws (Bottom screws required L KEY release)

**5**



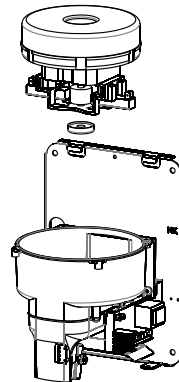
- Using the screwdriver to take off the bracket from the base plate.

**6**



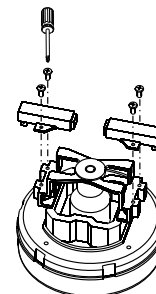
- Using the screwdriver to take off the blower housing top from the blower housing bottom.

**7**



- Take off the motor.

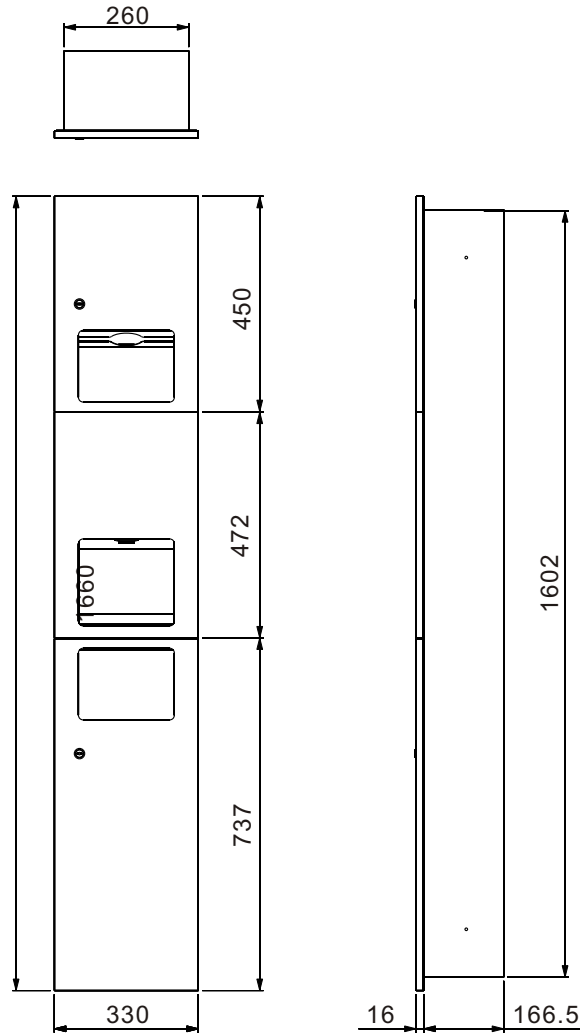
**8**



- Disconnect wires from the brush.
- Using the screwdriver to take off the fixed screws from the brush motor for the two sides.
- Replace with new brush and fasten the fixed screw, then connect the wire on the motor.

**THIS UNIT MUST BE FITTED AND SERVICED BY SUITABLY QUALIFIED PERSONNEL**

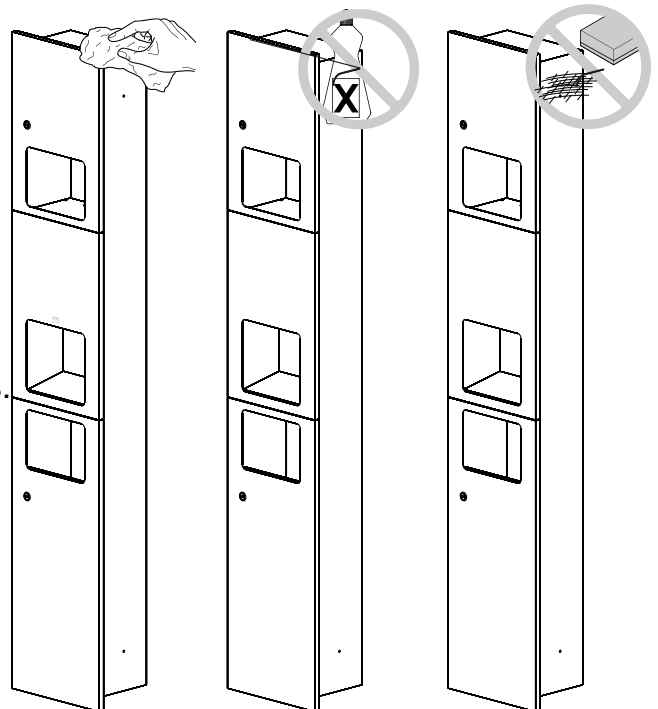
## Diagram: mm



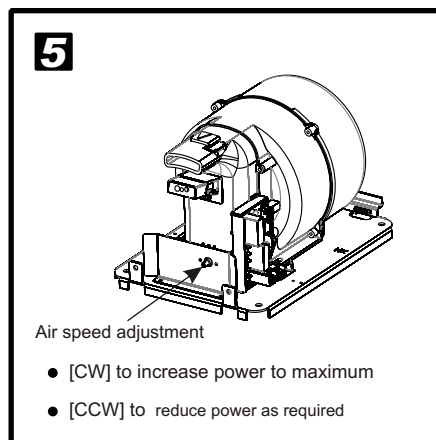
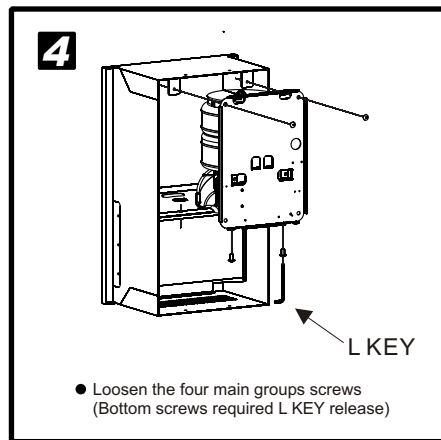
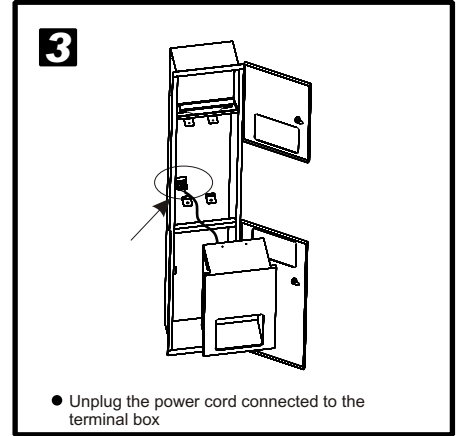
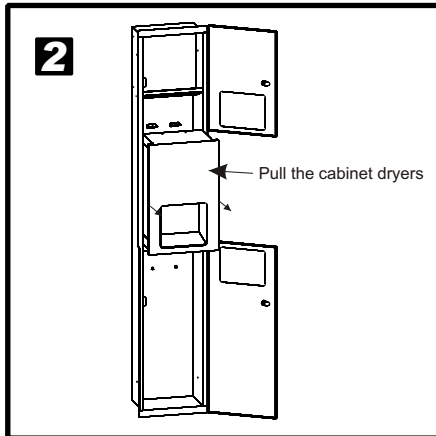
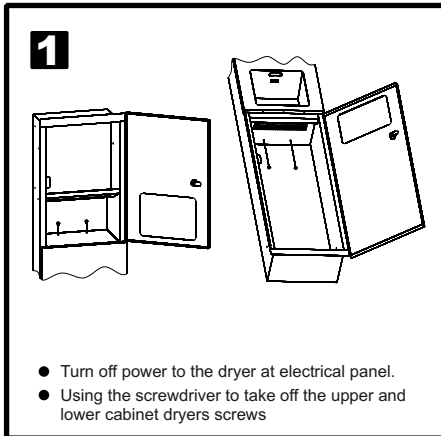
## Cleaning and Maintenance

Periodic cleaning of the unit is recommended to ensure optimum performance.

- Disconnect the electrical supply.
- Remove the two cover-mounting screws.
- Remove the cover.
- Clean all dust lint from the interior of the dryer.
- Wipe the cover with a damp cloth and mild cleaning solution. Do not Soak. Never use abrasives to clean the cover.
- Replace the cover. Do not over tighten the screws.



## Warm air speed adjustment



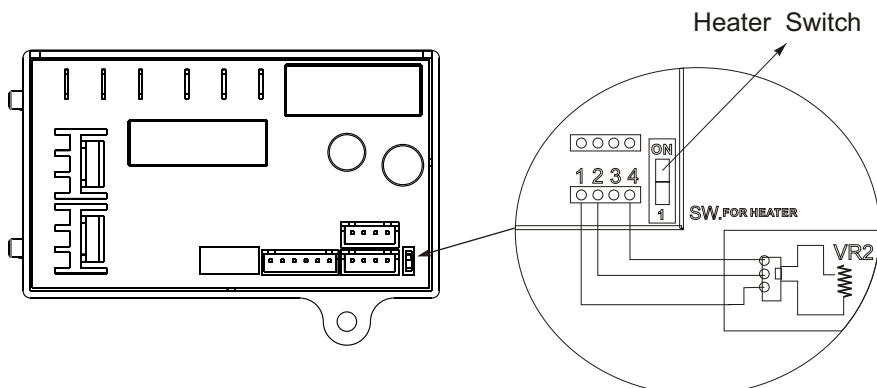
## Heater Element Switch ON/ OFF

1. Cut off the power, loosen the screw of the cover and remove the cover.

2. Adjust the heater switch on the PCB with a flathead screwdriver.

2.1 Turn the switch to "ON": heater on

2.2. Turn the switch to "1": heater off



**Bell-Chem Products Company**, Haywood Way, Hastings, TN35 4PL  
Tel: 01424 202224 Fax: 01424 205200

