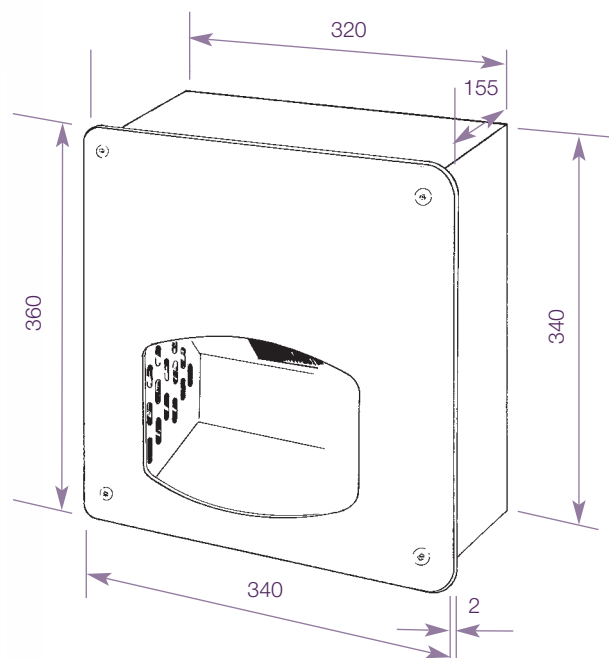


# Hot Air Hand Dryers

## Recessed

Hot Air Hand Dryers



### BC 2200SA (R) Dolphin Recessed Hot Air Dryer

- Automatic hand dryer with an infra-red sensor
- Casing : Stainless steel cover; #304
- Approximately 20-25 seconds drying time
- 2 vandal-proof lock screws and key wrench
- 5 year manufacturer's warranty
- Average Reuse Rate under WEEE Directive: 94%
- Average Recovery Rate under WEEE Directive: 97%
- Timing protection: 60 seconds auto shut off

#### Product Data

- H 360 x W 340 mm
- Projection 2mm
- Recessed dimensions : H 346 x W 323mm x D 155mm
- Satin stainless steel
- Brush motor: 200W, 4125 R.P.M.
- Air flow rate: 362 m<sup>3</sup>/h
- Sound level: 70±3 dB
- IPX1 rated
- Class 1 rated isolation
- Designed with 105°C (221°F) thermostat
- Heater assembly: Designed with 87°C (200°F) thermostat

#### Related items



**DB 1650**  
page 176



**BC 194**  
page 39



**BC 708**  
page 115



**WP 612**  
page 132



**BC 800R**  
page 84



**BC 22SCA**  
page 145