

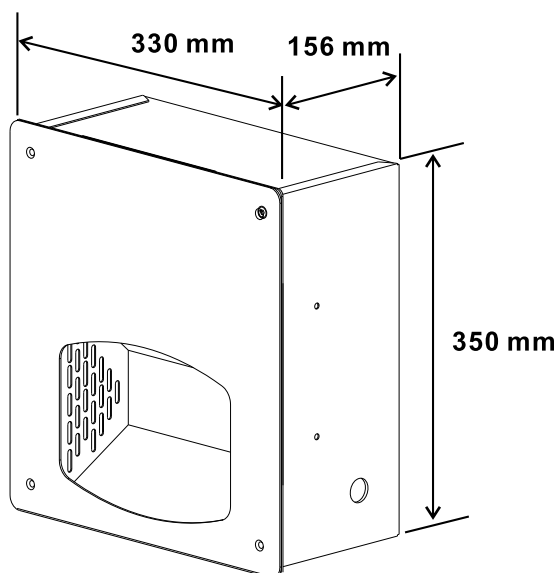
BC 2200SA(R) Dolphin Recessed Hand Dryer User Manual

Please read carefully before use



Operating instructions and parts manual (automatic)

Recessed Mount



TECHNICAL SPECIFICATIONS

ITEM CATEGORY	PERFORMANCE DATA
Operating Voltage	220-240 Vac, 50/60Hz, 2.2 kW
Warm Air Speed Output	20.5 m/s
Motor Type	Brush motor, 200W, 4,150 RPM
Motor Thermal Protection	Auto resetting thermostat turns unit off at 105°C (221°F)
Heater Element	4125W
Heater Thermal Protection	Auto resetting thermostat turns unit off at 87°C (185°F)
Drying Time	Less than 25 seconds
Circuit Operation	Infrared automatic
Sensor Range	51 mm to 330 mm, adjustable; standard 18 cm (7")
Timing Protection	60 seconds auto shut off
Drip proof	IPX1
Isolation	CLASS I
Net Weight	4.8 kg (10.6 lbs)
Shipping Weight	6.6 kg (12.3 lbs)
Unit Size	230 mm W x 301 mm H x 156 mm D

FRONT PLATE TYPE/ FRONT PLATE FINISH

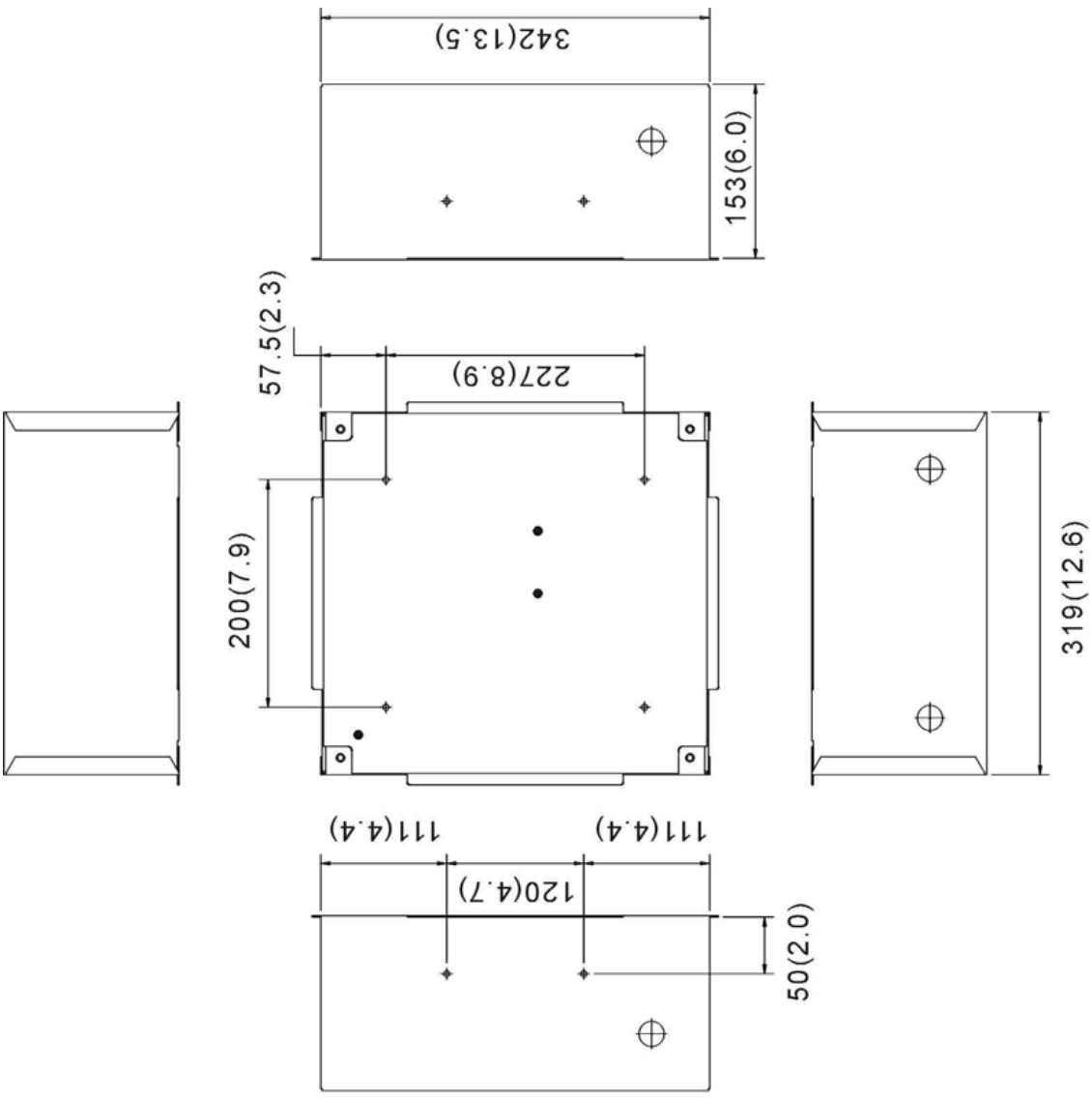
Stainless steel; #4 satin finished. (AISI 304 t:1.2 mm)

Specifications and Dimensions

Model	Volts	Watts	Amps	W	Housing Dimensions: mm (in)	H
-------	-------	-------	------	---	-----------------------------	---

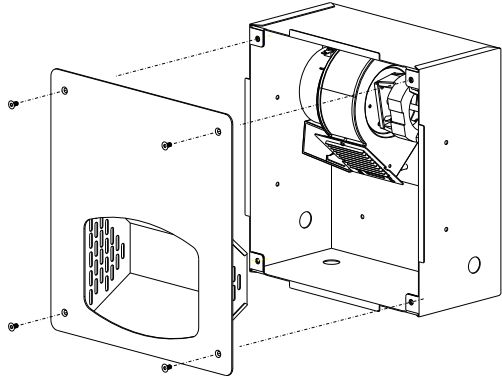
BC2200SA(R)	230/240Vac	2.2/2.4kw	330mm(Ø 32)10A	350mm(13.8")	180mm(7")
-------------	------------	-----------	----------------	--------------	-----------

Recessed Box Diagrams:
 Rough wall opening: 323*346*155 mm (12.7*13.6*6.1 in).

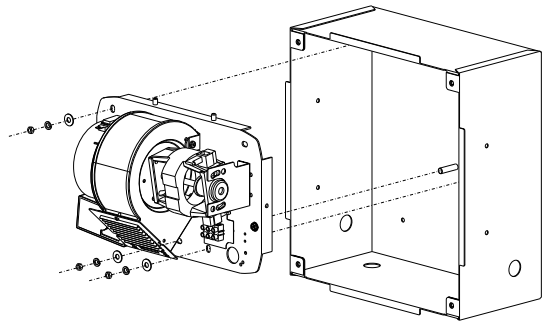


installation. Rough wall opening 223 x 346 x 158mm

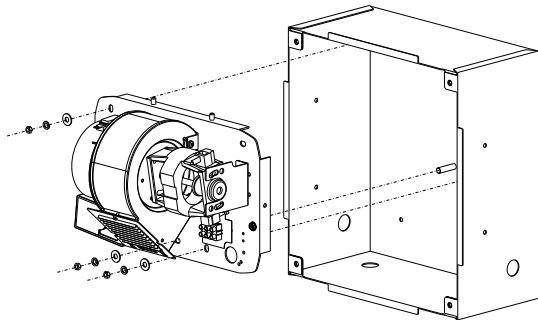
1. Remove the front plate from the recessed box.



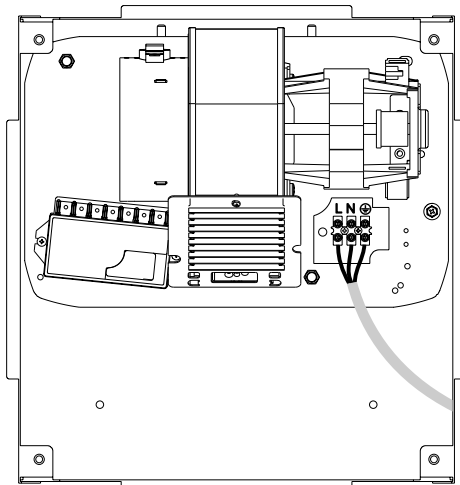
4. Attach the main unit back to the recessed box.



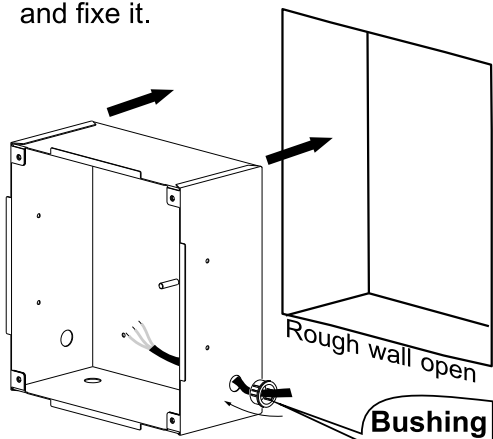
2. Remove the main unit from the recessed box.



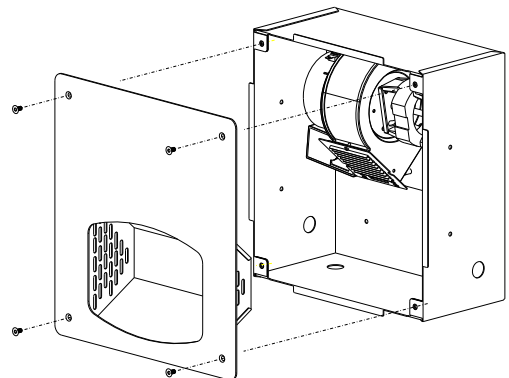
5. The wire connections are as follows :



3. Insert the bushing into the side hole of the recessed box. Insert the recessed box into the wall and fix it.



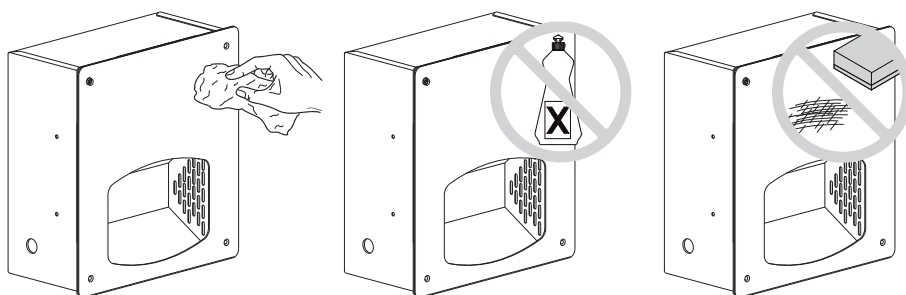
6. Attach the front plate back to the recessed box.



Cleaning and Maintenance

Periodic cleaning of the unit is recommended to ensure optimum performance.

- Disconnect the electrical supply.
- Remove the two cover-mounting screws.
- Remove the cover.
- Clean all dust lint from the interior of the dryer.
- Wipe the cover with a damp cloth and mild cleaning solution. Do not Soak. Never use abrasives to clean the cover.
- Replace the cover. Do not over tighten the screws.



Operation

- No-touch operation
- Shake excess water from hands.
- Place hands under the outlet to start operation.
- Rub hands lightly and rapidly.
- Stops automatically after hands are removed.

Recommended mounting heights

from bottom edge of dryer above finished floor (AFF)

Men	1250 mm	(49")
Women	1200 mm	(47")
Children 4-7 years	1050 mm	(41")
Children 8-10 years	1100 mm	(43")
Children 11-13 years	1150 mm	(45")
Children 14-16 years	1200 mm	(47")
Handicaped	1100 mm	(43")

General safety information:

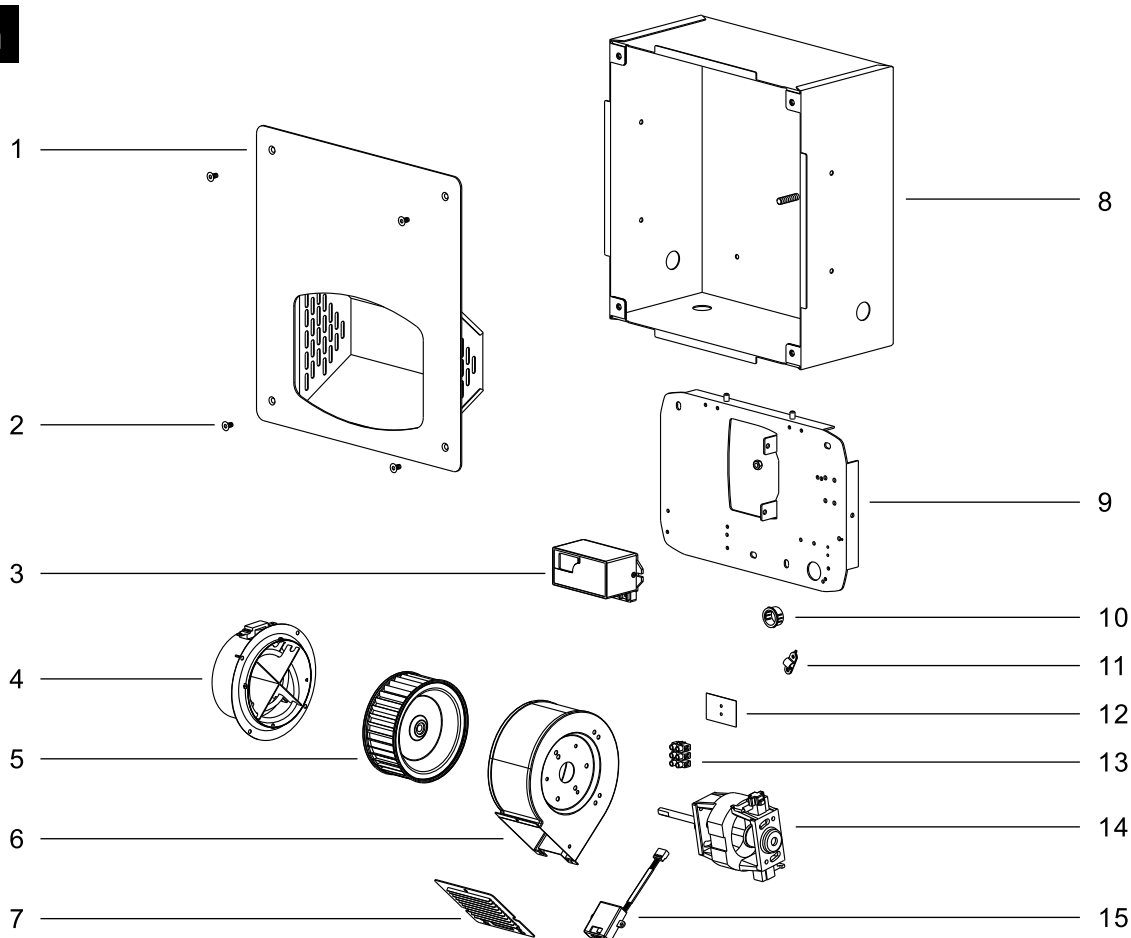
⚠ WARNING *This product is intended for installation by a qualified service person. Use 1.5 mm² x 3 solid conductor for wiring.*

⚠ DANGER *Failure to properly ground unit could result in severe electrical shock and/or death.*

⚠ WARNING *Disconnect power at the service breaker before installing or servicing. NOT FOR HOUSEHOLD USE - MAY CAUSE BURNS. " IMPROPRE A L'USAGE DOMESTIQUE - PUET OCCASIONNER."*

⚠ WARNING *All units must be supplied with a 3-wire service. The ground wire must be connected to the dryer's backplate.*

Diagram



Repair Parts List

Key	Part #	Description
1	C31-0014	Front plate
2	D11-0004	Fix screw
3	TIA02-2	Timer assembly
4	HE03	Heater assembly
5	C01-001-1	Fan blower
6	C11-0001	Fan enclosure
7	C01-013	Air outlet guard
8	C11-0019	Recessed box
9	C01-004	Plate
10	A01-002	Bushing
11	A16-0004	Insulating barrier
12	T91-0001	Mylar shield
13	F01-005	Terminal block
14	E01-031-1	Motor
15	F02-003-1	Sensor



Bell-Chem Products Company

Haywood Way, Hastings, TN35 4PL

Tel: 01424 202224

info@dolphindispensers.co.uk

www.dolphindispensers.co.uk