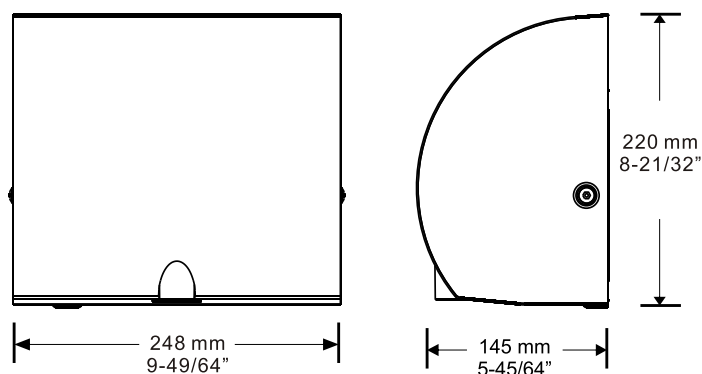


BC 2002 Dolphin Velocity Eco Dryer User Manual

Please read carefully before use



Surface Mounted



Technical Specifications

Item Category

Operating Power
Operating voltage
Cover
Air Output Temperature
Warm Air Speed Output
Dryer Shall Deliver
Motor Type
Motor Thermal Protection
Heater Element
Heater Thermal Protection
Drying Time
Circuit Operation
Sensor Range
Timing Protection
Drip Proof
Isolation
Net Weight
Shipping Weight
Unit Size

Performance Data

1000W
220=240 Vac, 50/60 Hz, 0.84-1.0 kW
Steel (t: 1.2mm)
55°C (131°F) Ambient Temp 25°C (77°F)
90 m/s (201.3mi/h)
101.7 m³/h, (59.8 CFM)
11/16 HP, 500W, 29,000 RPM, Brush Type, Dual Ball Bearings
Auto Resetting Thermostat turns unit off at 105°C (221°F)
500 W
Thermal Cust off at 139°C (282°F)
Less than 15 seconds
Infrared Automatic, self adjusting
2" to 10" (51 to 254mm) adjustable to 7" (18cm ± 2cm)
60 seconds auto shut off
IPX1
CLASS 1
3.8kg (8.4 lbs)
4.2kg (9.2 lbs)
248 W x 220 H x 145 D mm
9⁴⁹/₆₄" W x 8²¹/₃₂" H x 5⁴⁵/₆₄" D)

Sound Level

75±1 dB at 1m

Cover Type / Cover Finish

BC 2002 Stainless Steel (304), satin finished (t:1.2mm)

General Safety Information

⚠ WARNING This product is intended for installation by a qualified service person. Use 1.2 mm² (220-240Vac), AWG NO. 12 (110-120Vac) solid conductor for wiring.

⚠ WARNING Disconnect power at the service breaker before installing or servicing. **NOT FOR HOUSEHOLD USE - MAY CAUSE BURNS. " IMPROPRE A L'USAGE DOMESTIQUE - PUET OCCASIONNER."**

⚠ DANGER Failure to properly ground unit could result in severe electrical shock and/or death.

⚠ WARNING All units must be supplied with a 3-wire service. The ground wire must be connected to the dryer's backplate.

-- **NOTE:** Do not install dryer over washbasin --

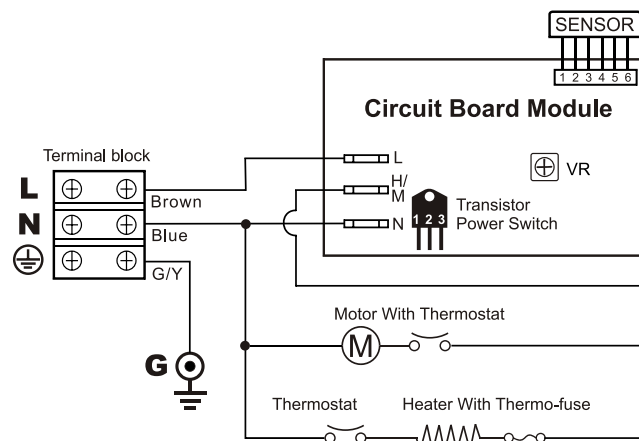
【 Type Y attachment 】

If the power supply cord is damaged, it must be replaced by the manufacturer or its service agent or a similar qualified person in order to avoid a hazard. Means for disconnection must be incorporated in the fixed wiring in accordance with the wiring rules.

This appliance is not intended for use by persons (including children) with reduced physical, sensory or mental capabilities, or lack of experience and knowledge, unless they have been given supervision or instruction concerning use of the appliance by a person responsible for their safety.

Children should be supervised to ensure that they do not play with the appliance.

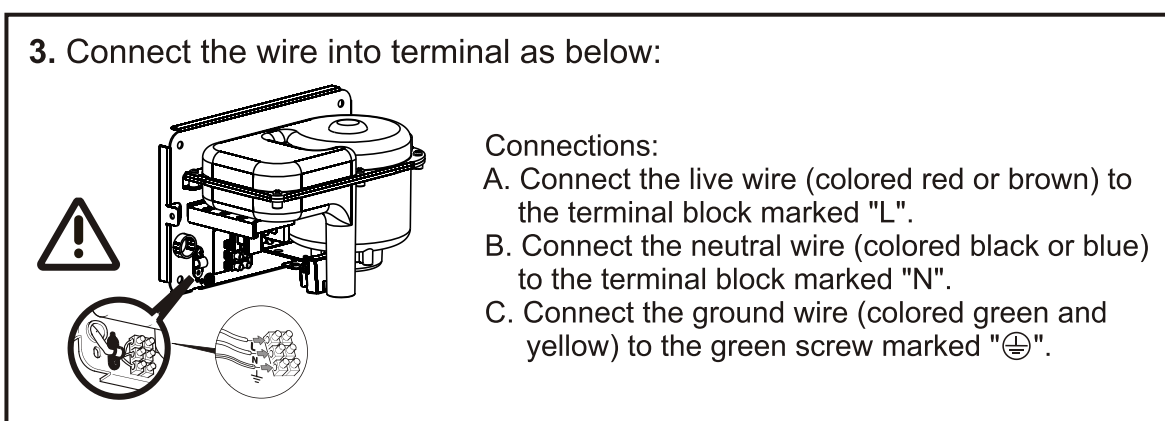
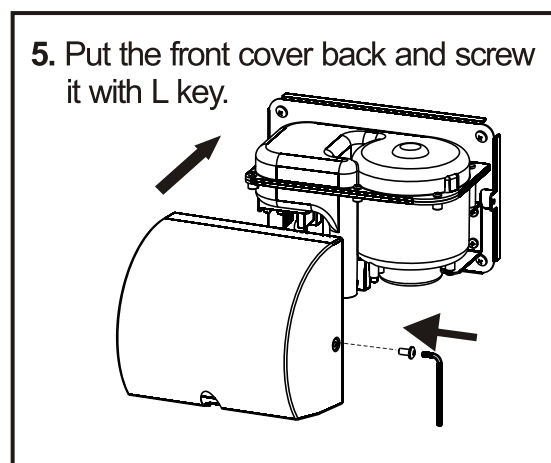
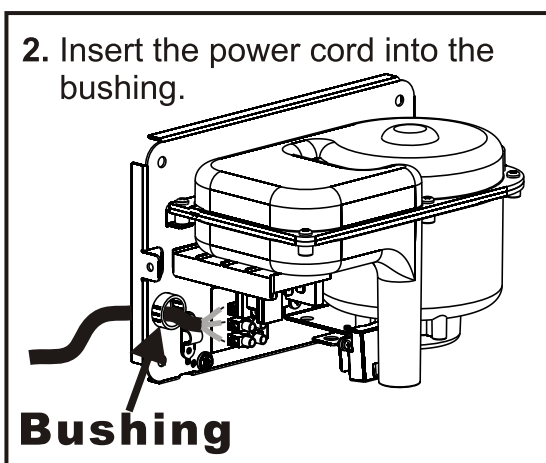
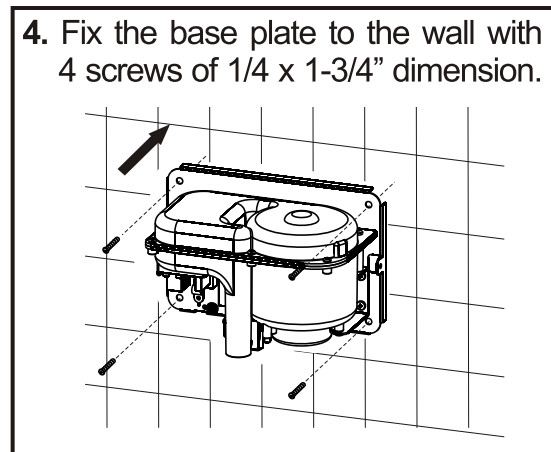
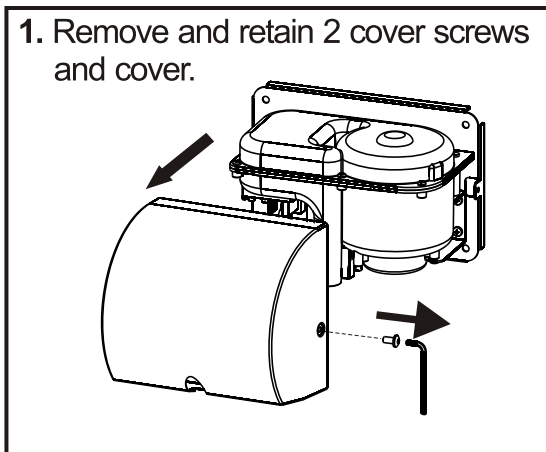
Circuit Diagram



Installation

1. Make sure power supply breaker is switched off. Installation must be carried out in accordance with the current edition of the local wiring regulations code having jurisdiction. Installation should be performed only by a qualified electrician.
2. Place template against wall at desired height (see mounting height recommendations) and mark locations of 4 mounting holes and wire service entry at knockout (KO) location.

Note: For two or more dryers, dryers should be no closer than 24 inches (610 mm) on center.



Diagnosics and Remedies

Symptom	Corrective Actions for Initial Installation Failures
If the dryer will not run	First ensure that the breaker supplying the dryer is operational. If it is, disconnect the power and remove the dryer cover. Taking suitable precautions to avoid shock hazard, reconnect the power and check for Voltage at the terminal block. Verify that connections are made correctly.
The dryer cycles by itself or runs constantly	Ensure that there is no obstruction on or in front of the IR sensor. Clean any dirt or debris off the sensor lens. If problem persists, replace sensor.
The dryer makes a loud noise and does not run for a complete cycle	Ensure that the supply Voltage is correct. Dryer will make a loud humming noise if the input Voltage is too high. Verify Voltage requirement on unit rating label and correct supply as required. If CBM has been damaged, replace CBM, IR sensor module and VR component and cable.
The dryer runs but air stream is low pressure and/or low velocity	Ensure that the supply Voltage is correct. Dryer will run weakly if the input Voltage is too low. Verify Voltage requirement on unit rating label and correct supply as required.

Symptom	Corrective Actions for In-Service Failures
If the dryer will not run	First ensure that the breaker supplying the dryer is operational. If it is, disconnect the power and remove the dryer cover. Replace the CBM and IR sensor module. Taking suitable precautions to avoid shock hazard, reconnect the power and check for Voltage at the terminal block.
The IR sensor only "sees" close range objects	Ensure that there is no obstruction on or in front of the IR sensor. Clean any dirt or debris off the sensor lens. If problem persists, disconnect the power and remove the dryer cover. Taking suitable precautions to avoid shock hazard, reconnect the power and try carefully adjusting the sensitivity control (yellow shaft in blue box on CBM) to increase the sensing range. If problem persists, replace sensor.
The heater gets hot but no air stream is produced	Disconnect the power. Remove the dryer cover and disassemble the blower-motor/fan housing. Replace the fan motor.
The dryer only blows cold air during a full cycle	Disconnect the power. Remove the dryer cover and disassemble the blower-motor/fan housing. Test the thermostat for open circuit. Check the heater element for signs of burning or breakage. Damaged element must be replaced.
The air stream is low pressure and velocity	Check the output nozzle for obstructions. If none are present, disconnect the power. Remove the dryer cover. Remove any dust/lint buildup from intake vent slots. Disassemble the blower-motor/fan housing. Check the motor brushes for worn condition ($\leq 1\text{-}3/16''$ [30 mm] graphite remains) and replace them, if necessary.

Recommended mounting heights

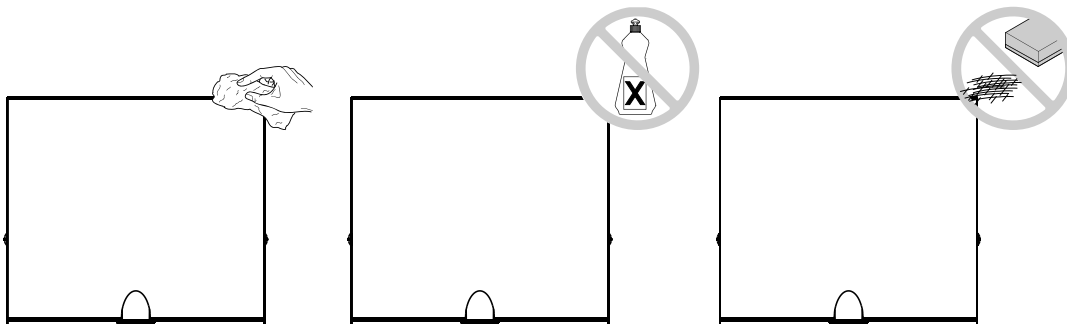
- from bottom edge of dryer above finished floor (AFF)

Men	1000 mm	(40")
Women	960 mm	(38")
Children 4-7 years	812 mm	(32")
Children 8-10 years	860 mm	(34")
Children 11-13 years	910 mm	(36")
Children 14-16 years	960 mm	(38")
Handicaped	860 mm	(34")

Cleaning and Maintenance

Periodic cleaning of the unit is recommended to ensure optimum performance.

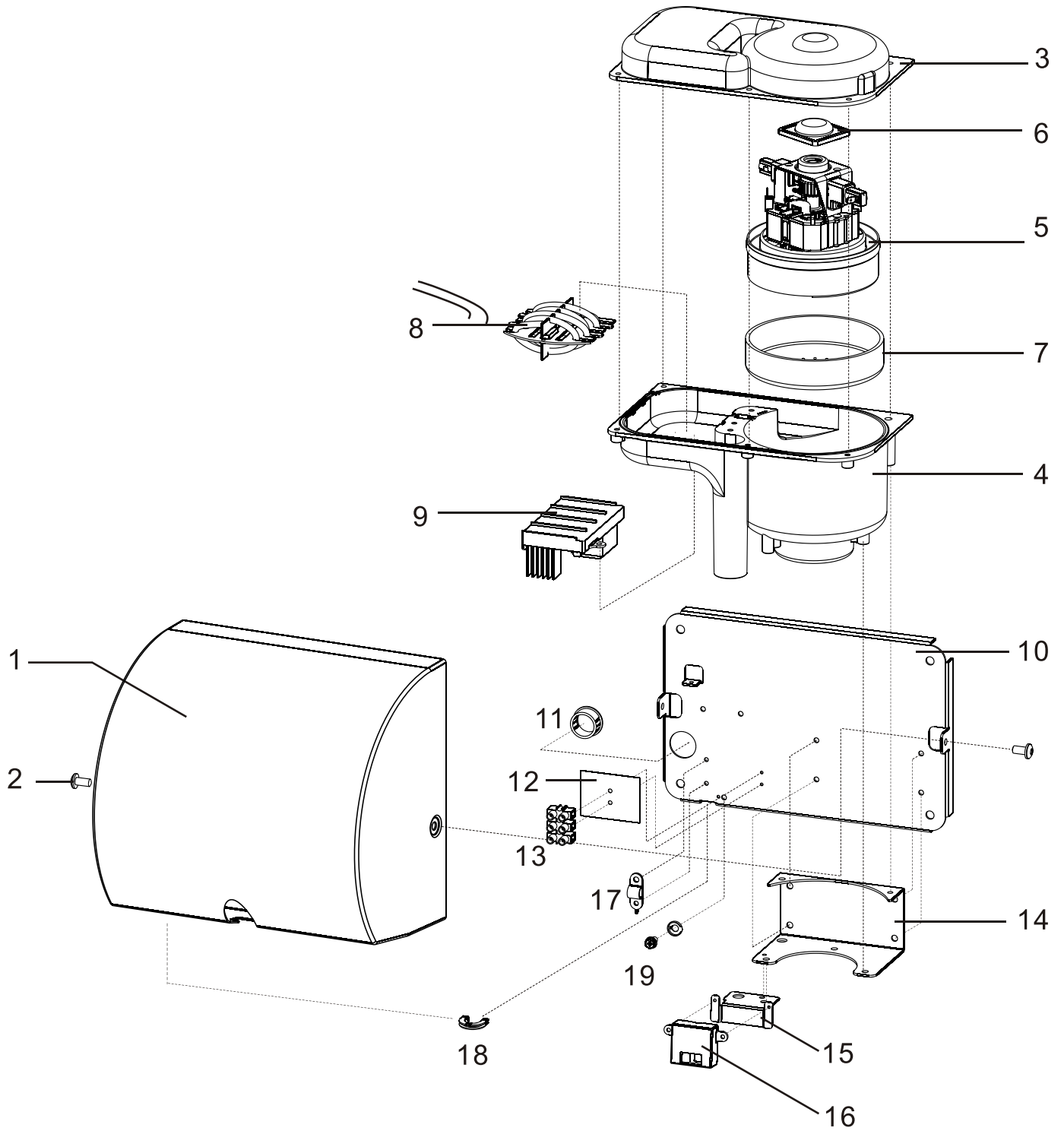
- Disconnect the electrical supply.
- Remove the two cover-mounting screws.
- Remove the cover.
- Clean all dust lint from the interior of the dryer.
- Wipe the cover with a damp cloth and mild cleaning solution. Do not Soak. Never use abrasives to clean the cover.
- Replace the cover. Do not over tighten the screws.



Operation

- No-touch operation
- Shake excess water from hands.
- Place hands under the outlet to start operation.
- Rub hands lightly and rapidly.
- Stops automatically after hands are removed.

Diagram



Repair Parts List

Key	Part #	Description	Quantity
01	C0126-3001	Enclosure (Casing)	1
02	D0101-0015	Security hex screw	2
03	A0126-0001	Blower housing (Upper)	1
04	A0126-0002	Blower housing (Below)	1
05	E0126-0002	Motor, 240Vac@500W	1
06	G0126-0002	Motor rubber (Upper)	1
07	G0126-0001	Motor rubber (Below)	1
08	T0206-0002	Heater assembly, 240Vac@500W	1
09	F0226-0002	Circuit Board Module (CBM), 220-240Vac	1
10	C0126-0003	Base plate	1
11	A0101-0016	Nylon hole bushing	1
12	J0209-0001	Insulation Mylar	1
13	F0801-0001	Terminal block	1
14	C0126-0004	Blower mounting bracket	1
15	C0126-0005	Sensor bracket	1
16	Part of item 9	Sensor (Grouped into Circuit Module)	1
17	A0106-0004	Cable clamp	1
18	A0101-0022	Cable Protector	1
19	D0101-0008	Grounding Screw	1



Bell-Chem Products Company

Haywood Way, Hastings, TN35 4PL

Tel: 01424 202224

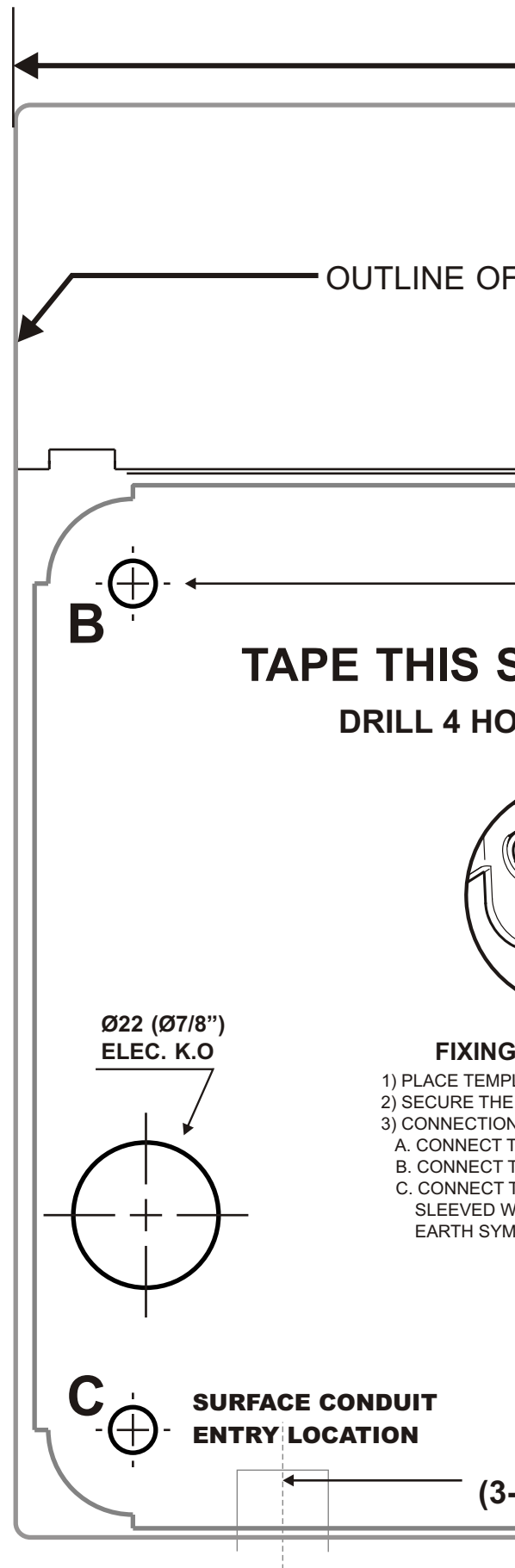
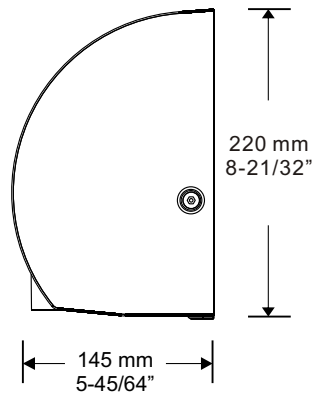
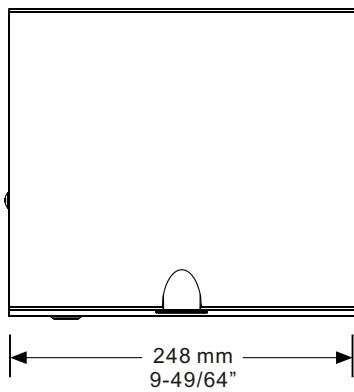
info@dolphindispensers.co.uk

www.dolphindispensers.co.uk



High-Speed Hand drier

Code BC2002



THIS UNIT MUST BE FITTE

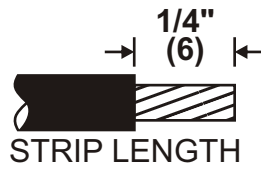
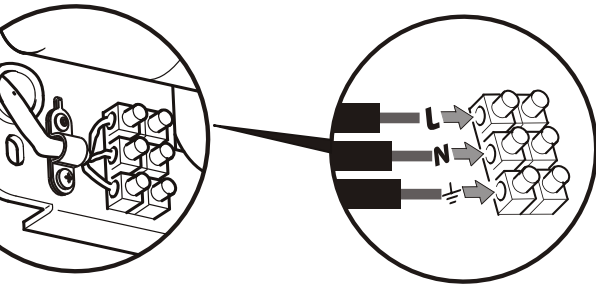
248
(9-49/64")

COVER

212
(8-11/32")

SHEET TO WALL FOR HOLES LOCATION

HOLES (A,B,C,D 8 (5/16") DIAMETER 35 (1-3/8") DEEP)



220
(8-21/32")

130
(5-1/8")

DETAIL (READ IN CONJUNCTION WITH LEAFLET ENCLOSED)

1. MARK LOCATION ON WALL AND DRILL 4 HOLES 8 (5/16") DIAMETER 35 (1-3/8") DEEP.
2. MOUNT BASE PLATE ON THE WALL WITH THE 4 WALL PLUGS & SCREWS PROVIDED.
3. WIRE AS FOLLOWS:
4. CONNECT THE LIVE WIRE RED (OR BROWN) TO THE TERMINAL BLOCK MARKED "L".
5. CONNECT THE NEUTRAL WIRE BLACK (OR BLUE) TO THE TERMINAL BLOCK MARKED "N".
6. CONNECT THE EARTH WIRE GREEN AND YELLOW (OR GREEN), NOTE BARE EARTH WIRES SHOULD BE COVERED WITH GREEN AND YELLOW OR GREEN SLEEVING TO THE EARTH WASHER MARKED WITH THE SYMBOL "⊕".

Holes Location AFF for C-D Holes

General Purpose Suggested

1270 (50")

83
(3-17/64")



All Dim's
MM (INCH)

ver 1.0, 20100826

INSTALLATION AND SERVICED BY SUITABLY QUALIFIED PERSONNEL