

BC 2001 Dolphin Velocity Eco Slimline Recessed Hand Dryer

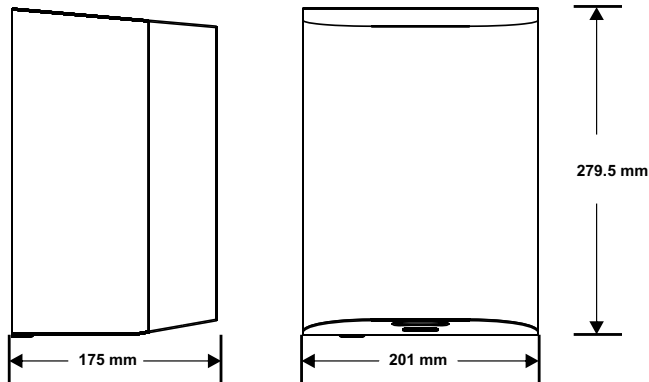
User Manual

Please read carefully before use



Operating Instructions and Parts Manual (Automatic)

Surface Mount



TECHNICAL SPECIFICATIONS

ITEM CATEGORY	PERFORMANCE DATA
Operating Voltage	220-240 Vac, 50/60 Hz, 1.34-1.6 kW
Warm Air Speed Output	75-100 m/s, adjustable
Motor Type	350-700W, 12000-18000 r.p.m., Adjustable; Brush Type, Dual Ball Bearings
Motor Thermal Protection	Auto Resetting Thermostat turns unit off at, 105°C {221°F}
Heater Element	450-900W, adjustable
Heater Thermal Protection	Auto Resetting Thermostat turns unit off at , 65°C {149°F}
Drying Time	Less than 15 seconds
Stand-by Power	Less than 0.5W
Circuit Operation	Infrared Automatic, self adjusting
Sensor Range	Auto adjust; standard 6" [15 cm±2 cm]
Timing Protection	60 seconds auto shut off
Drip proof	IPX1
Isolation	CLASS 1
Net Weight	4.8 kg [10.6 lbs]
Shipping Weight	5.6 kg [12.3 lbs]
Unit Size	201 mm W x 279.5 mm H x 175 mm D

COVER TYPE/ COVER FINISH

BC2001- Stainless steel; #4 satin finished. (AISI 304 t:1.5 mm)

BC2001B- Stainless steel; Bright finished. (AISI 304 t:1.5 mm)

General safety information:

⚠ WARNING *This product is intended for installation by a qualified service person. Use 1.2 mm² solid conductor for wiring.*

⚠ DANGER *Failure to properly ground unit could result in severe electrical shock and/or death.*

⚠ WARNING *Disconnect power at the service breaker before installing or servicing. NOT FOR HOUSEHOLD USE - MAY CAUSE BURNS. " IMPROPRE A L'USAGE DOMESTIQUE - PUET OCCASIONNER."*

⚠ WARNING *All units must be supplied with a 3-wire service. The ground wire must be connected to the dryer's backplate.*

-- **NOTE:** Do not install dryer over washbasin --

Type Y attachment

If the power supply cord is damaged, it must be replaced by the manufacturer or its service agent or a similar qualified person in order to avoid a hazard.

Means for disconnection must be incorporated in the fixed wiring in accordance with the wiring rules.

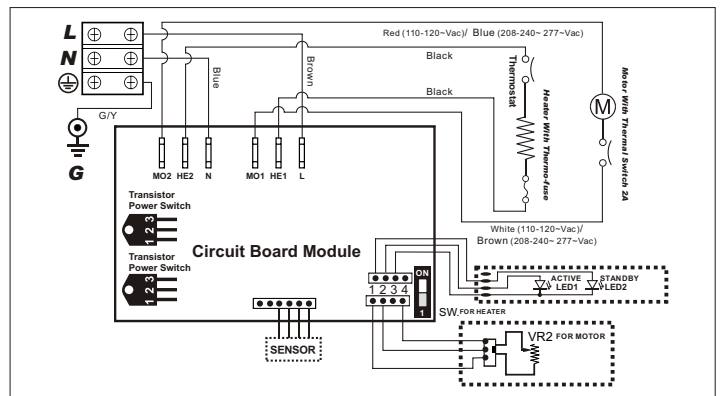
Installation

1. Make sure power supply breaker is switched off. Installation must be carried out in accordance with the current edition of the local wiring regulations code having jurisdiction. Installation should be performed only by a qualified electrician.
2. Place template against wall at desired height (see mounting height recommendations) and mark locations of 4 mounting holes and wire service entry at knockout (KO) location.
Note: For two or more dryers, dryers should be no closer than 24 inches (610 mm) on center.
3. Remove and retain 2 cover screws and cover.
4. Connect supply wires to terminal block where indicated and connect ground wire to base plate with ground screw (Connections: A. Connect the live wire (colored red or black) to the terminal block marked "L". B. Connect the neutral wire (colored white or blue) to the terminal block marked "N". C. Connect the ground wire (colored green or green and yellow) to the green screw marked " "). Note that colors of live and neutral wires depend on voltage of supply service.
5. Replace cover. Do not over-tighten screws.

Recommended mounting heights

Men	1000 mm
Women	960 mm
Children 4-7 years	812 mm
Children 8-10 years	860 mm
Children 11-13 years	910 mm
Children 14-16 years	960 mm
Handicaped	860 mm

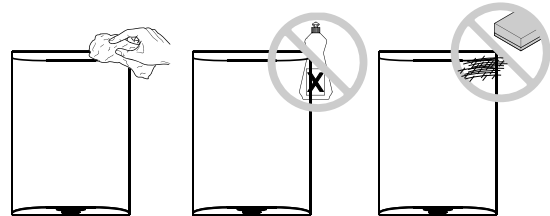
Circuit diagram



Cleaning and Maintenance

Periodic cleaning of the unit is recommended to ensure optimum performance.

- Disconnect the electrical supply.
- Remove the two cover-mounting screws.
- Remove the cover.
- Clean all dust lint from the interior of the dryer.
- Wipe the cover with a damp cloth and mild cleaning solution. Do not Soak. Never use abrasives to clean the cover.
- Replace the cover. Do not over tighten the screws.

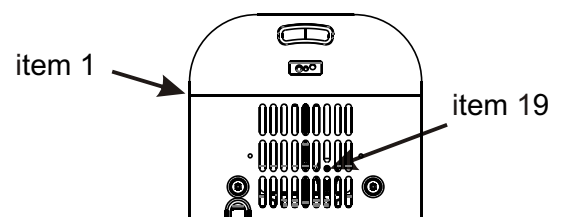


Warm air speed adjustment

Use flat blade screwdriver small enough to fit through access hole {Ø4,8mm [Ø3/16"]} in bottom grille of cover (item 1). The adjustment potentiometer (item 19) is visible through the slots of the grille. With respect to axis of screwdriver viewed from handle end, gently turn adjustment potentiometer shaft clock-wise [CW] to increase power to maximum (shaft will hard stop; DO NOT OVERTURN!). Turn tool gently CCW to reduce power as required (shaft will hard stop; DO NOT OVERTURN!). Note that at minimum power the unit may not start if low line Voltage condition exists.

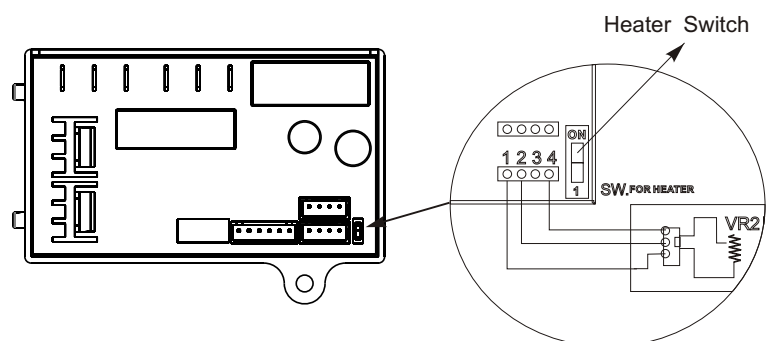
Operation

- No-touch operation
- Shake excess water from hands.
- Place hands under the outlet to start operation.
- Rub hands lightly and rapidly.
- Stops automatically after hands are removed.

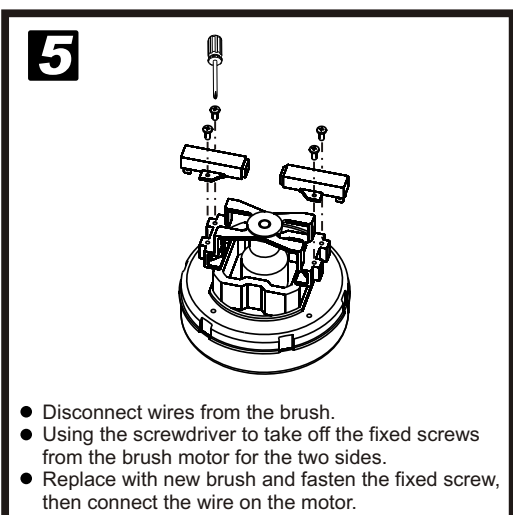
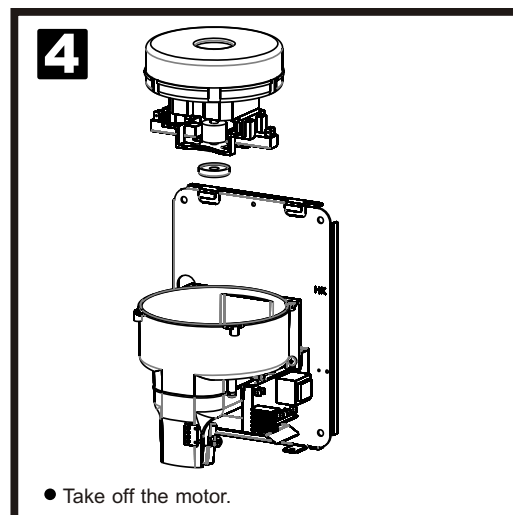
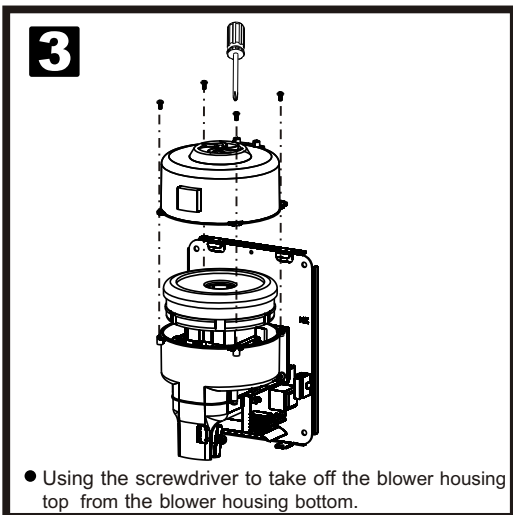
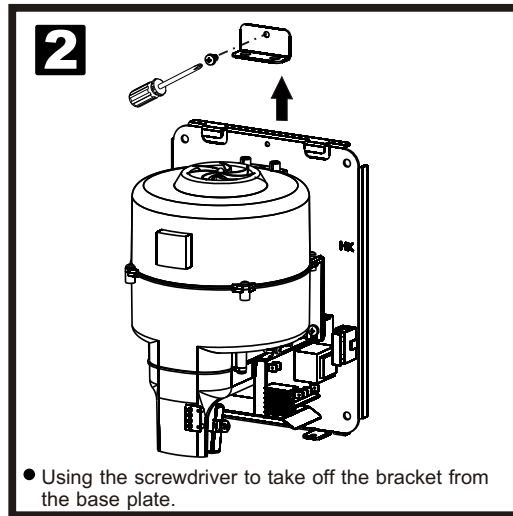
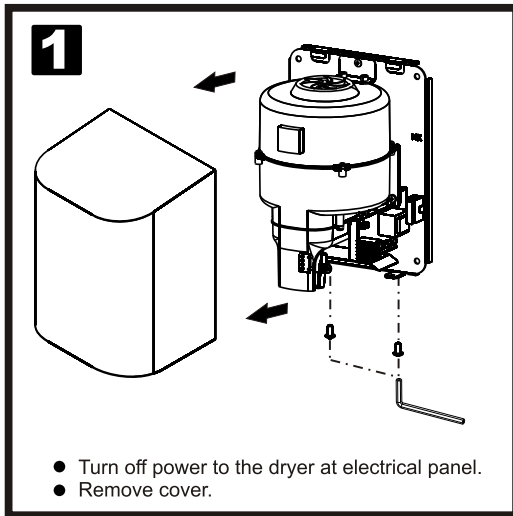


Heater Element Switch ON/ OFF

1. Cut off the power, loosen the screw of the cover and remove the cover.
2. Adjust the heater switch on the PCB with a flathead screwdriver.
 - 2.1 Turn the switch to "ON": heater on
 - 2.2. Turn the switch to "1": heater off

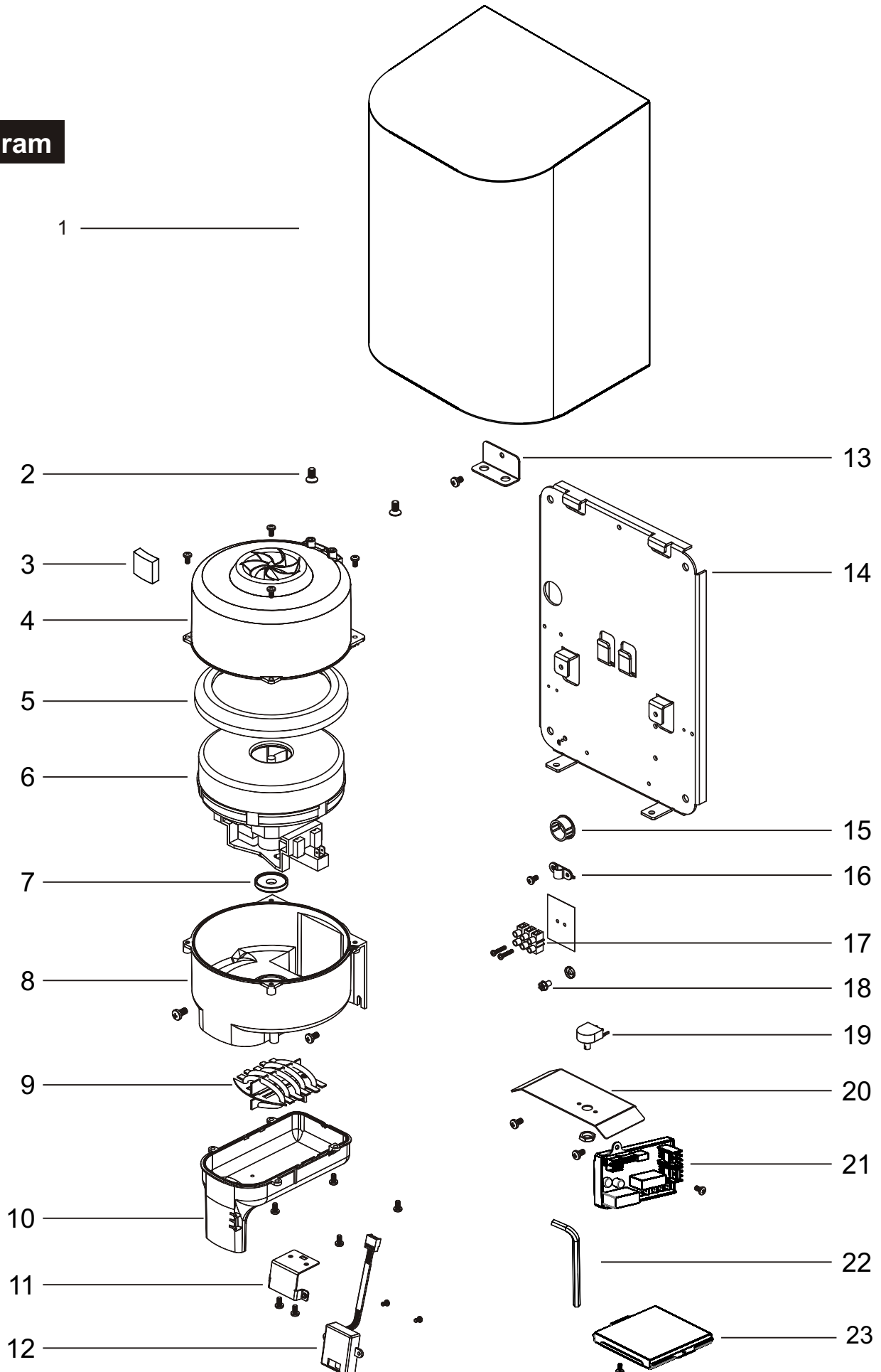


Brushes replacement



THIS UNIT MUST BE FITTED AND SERVICED BY SUITABLY QUALIFIED PERSONNEL

Diagram



Repair parts list

Key	Description
1	Stainless Steel - Bright finish (BC2001B) Stainless Steel - Satin finish (BC2001)
2	Security hex screw (2 reqd.)
3	Shock absorber
4	Blower housing - Top
5	Motor rubber - Large
6	Motor 220-240Vac 700W
7	Motor rubber - Small
8	Blower housing - Bottom
9	Heater element 240Vac 900W
10	Air outlet
11	Sensor bracket
12	Sensor module
13	Blower housing bracket
14	Base plate
15	Nylon hole bushing
16	Cable clamp
17	Terminal block
18	Grounding screw
19	VR (variable resistance) 100K - 220-240Vac
20	VR bracket
21	Circuit Board Module - 220-240Vac
22	Security hex wrench
23	Filter assembly

Bell-Chem Products Company, Haywood Way, Hastings, TN35 4PL

Tel: 01424 202224 Fax: 01424 205200

