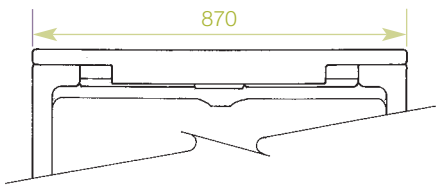
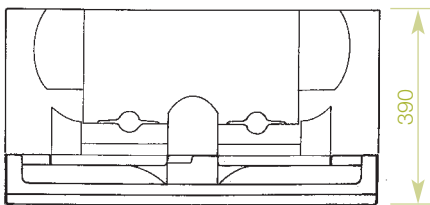


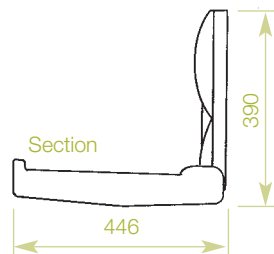
Changing Unit



Plan



Elevation



Section



BC 100-EH Dolphin Horizontal Nappy Changing Unit

- Easy to clean, high density polyethylene which inhibits bacterial growth
- Safety belt with cam buckle is adjustable with one hand
- Pneumatic gas shock mechanism to ensure smooth and safe opening and closing
- Includes safety labels, easy to install, step-by-step instructions plus all mounting hardware
- The most preferred changing position
- Clean design fits virtually all decors and is excellent for cost conscious customers
- Includes a integrated liner dispenser, mounting hardware, safety straps and buckle
- EZ Mount™ Backer plate is an optional extra for this unit
- Complies with BS EN 12221 Standards European Safety Requirements for Domestic Changing Stations
- 5 year Warranty: This product is warranted against manufacturing defects for a period of 5 years.

Product data

BC100-EH surface mounted

- Supports a static load of 113kg
- H 390 W 870mm
- Projection open 446; closed 100mm

BC100-BPEH EZ Mount Backer Plate

For Installation instructions see pages 324-325

Related items



DB 1650
page 176



DB 100
page 177



BC 360
page 34



BC 194
page 39

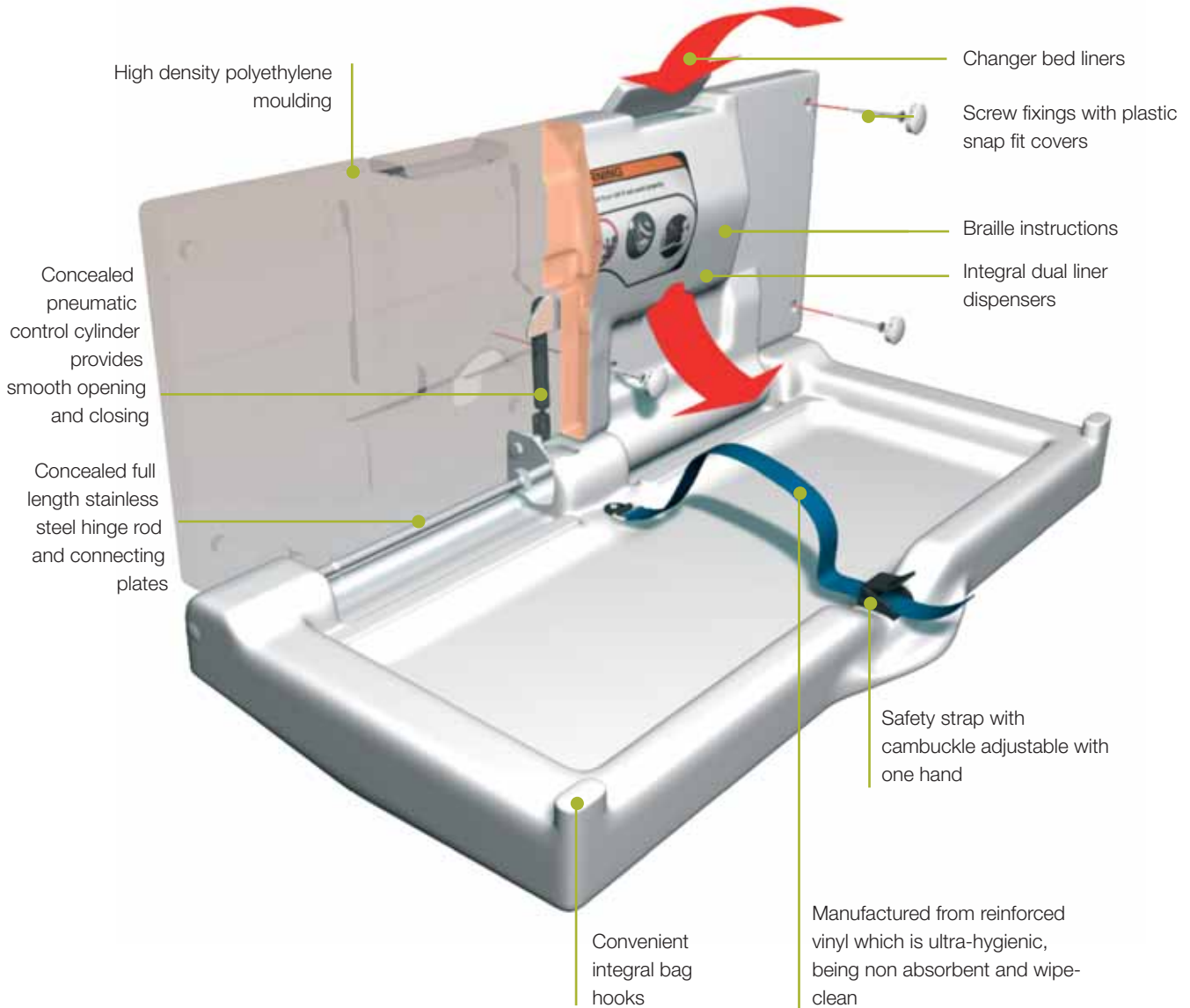


BC 928
page 113

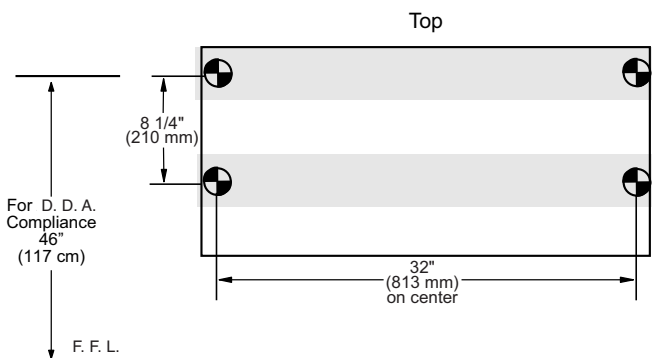


BC 2001
page 156

Product Details



Recommended Blocking



Dolphin can provide an exclusive EZ Mount™ Backer Plate that enables the unit to be attached to the wall with only one installer, thus reducing installation time and costs. This is optional but it does eliminate the need for structural blocking and ensures connection with two studs.

Nappy Changing Unit Installation

polyethylene units

Polyethylene Units

Each unit has four mounting ports based on a traditional 400mm stud spacing.

Two additional ports are provided for optional use. All fixings are supplied with each unit to cater for fixing to either solid masonry or studded wall constructions.



Recommended mounting height:

Standard – 900mm

Wheelchair – 790mm



Fixing to masonry

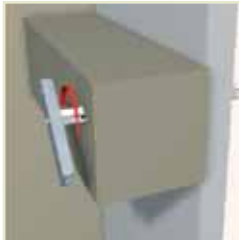
Secure the unit to brick and concrete block substrates using four 5mm x min.75 mm wood screws into proprietary wall plugs.

The flat fender washer is to be inserted underneath the finishing washer. Finally, insert the snap-fit plastic covers in each fixing port to cover the fixings.

Fixing to studwork



1 Mark out and drill fixing holes. Insert toggle.



2 Twist toggle freely to gain purchase on the supporting member. There should be a minimum cavity clearance of 65mm to allow the toggle bar to turn.



3 Push the integral disc along the toggle to make a snug purchase on the wall face. The toggle strands are ratched to hold the disc in place.



4 Cut off the surplus projection of the toggle and offer up the unit for fixing.



5 Align and engage the fixing bolt in the threaded toggle bar with washers engaged. The flat fender washer is to be inserted underneath the finishing washer. Finally, insert the snap-fit plastic covers in each fixing port.



Alternative fixing method to studwork

The BC 100-EH/BC 100-EV unit can be fitted with the EZ Mount backer plate to provide an alternative method of fixing to studded walls.

Two galvanised steel mounting bars are supplied, one pre-fixed to the rear of the unit and the other loose for fixing to the wall. The wall bar has a multitude of fixing holes to cater for variable stud positions.