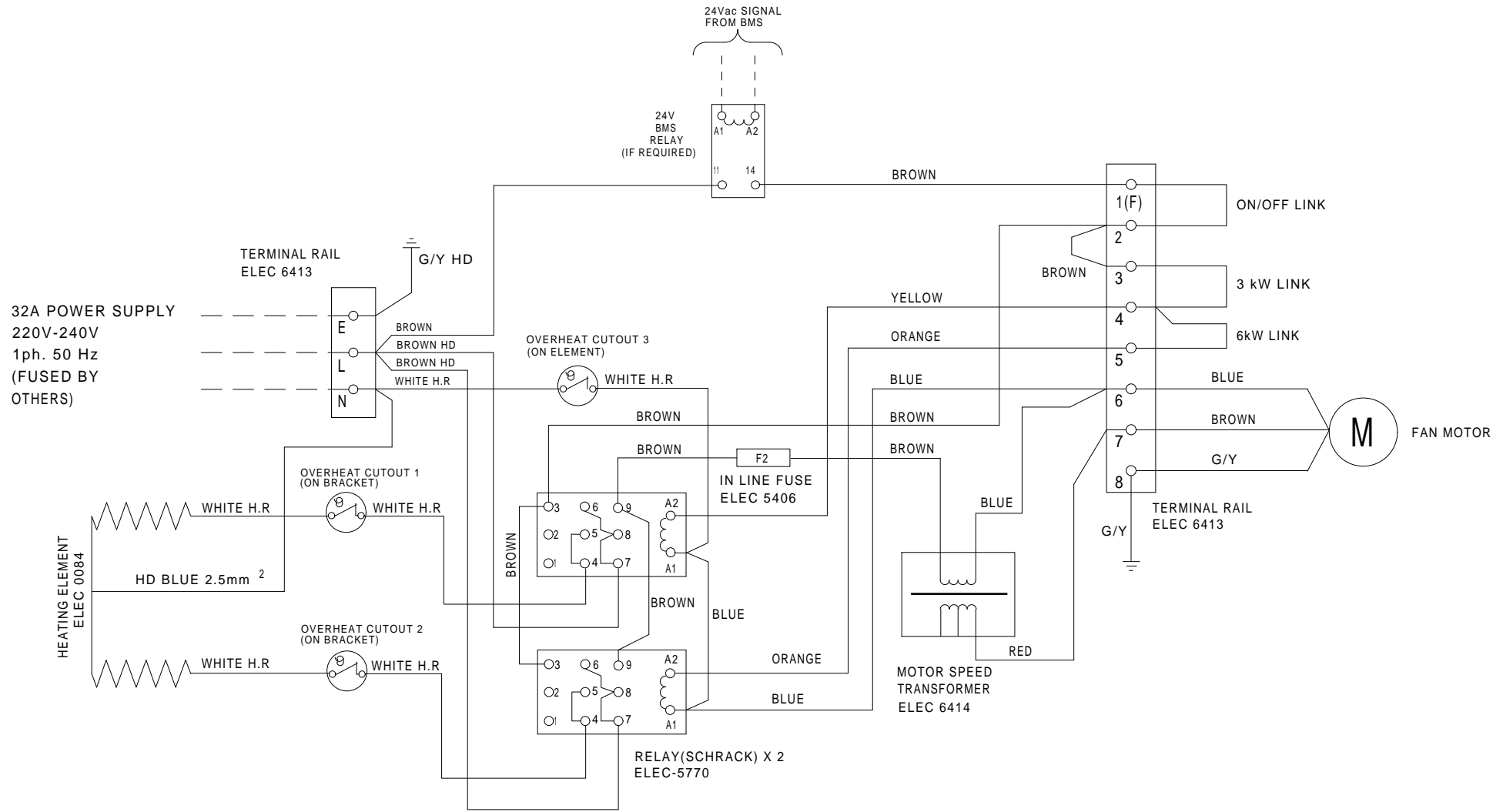


IF IN DOUBT ASK

DO NOT SCALE

© COPYRIGHT RESERVED ET ENVIRONMENTAL LTD.



NOTES

- 1, FIELD WIRING BY OTHERS SHOWN THUS: - - - - -
- 2, INTERNAL WIRES TO BS.4808 COPPER 24/0,2(0,75mm)²
- 3, BRN.HD - BROWN HEAVY DUTY TO BS.6231 COPPER 1.5mm²
- 4, WHITE H.R - HEAT RESISTANT WIRE COPPER 1.5mm²
WITH LAQ. GLASS BRAID OVERALL
- 5, FOR REMOTE ROOM THERMOSTAT
REMOVE LINK 2 - 3 ON TERMINAL
BLOCK & REPLACE WITH THERMOSTAT
- 6, FUSE RATINGS F1=2.0A F2=2.0A (5X20)

REV.	MOD.NO.	DATE	DRN	CHKD	DRAWN	DD	DIFFUSION ENVIRONMENTAL LTD 47 Central Avenue, West Molesey, Surrey, KT8 2QZ Telephone 020 8783-0033. Fax 020 8783-0140
1	REQ. 5642	31-10-12	DD	SPH	DATE	31-10-12	
MODIFICATION							STANDARD MK2
					DATE	31-10-12	DRG.NO. A3/28103