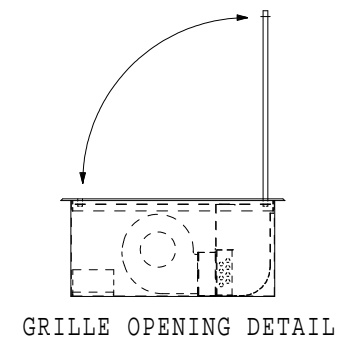
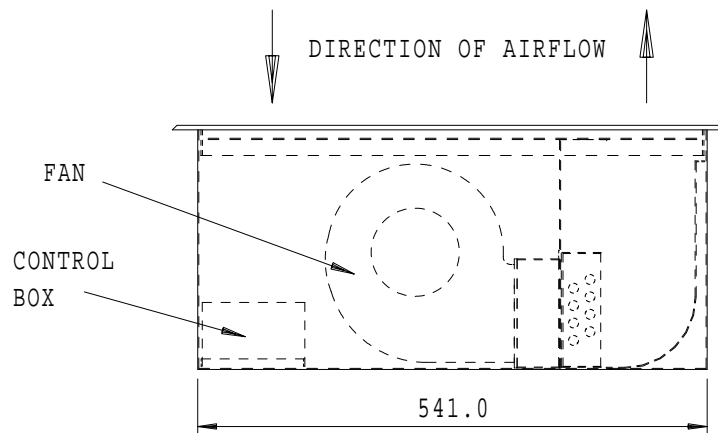
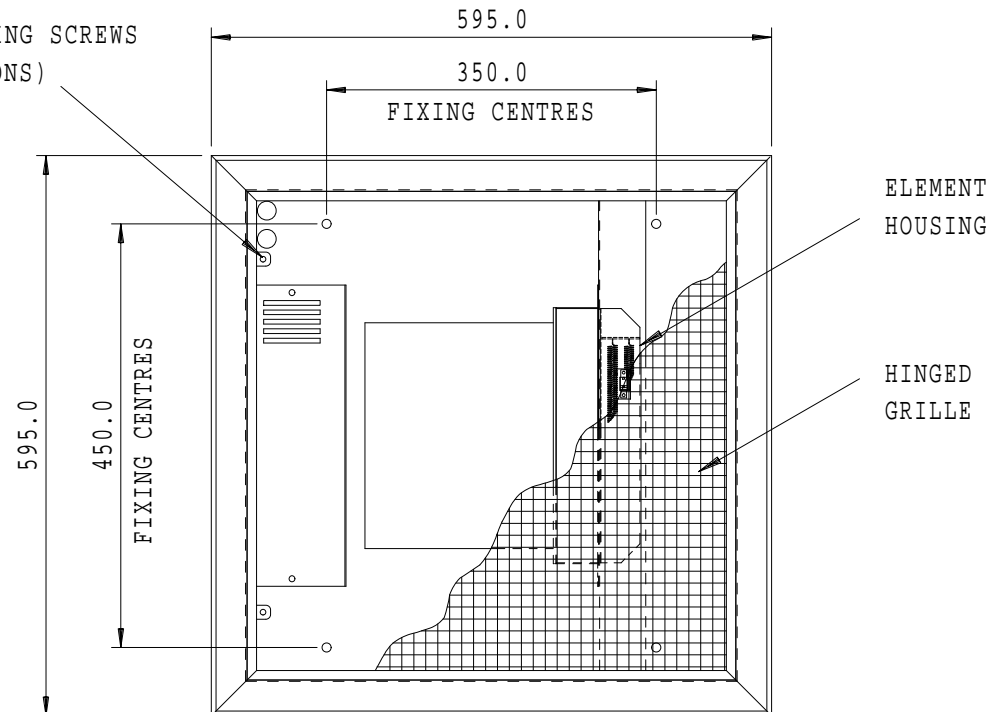


1/4 TURN
GRILLE FIXING SCREWS
(2- POSITIONS)



NOTES:

- GENERAL TOLERANCES ON
OVERALL DIMENSIONS +/- 4mm.

| REV. | MOD.NO. | DATE | DRN | CHKD | DRAWING TO B.S. 308:PARTS 1,2 AND 3. | | | SCALE | N.T.S. | DRAWN | DD | ET ENVIRONMENTAL LTD | | | | | | | | | | | | | | | | | | | | | | | | | | | | | | | | | | | | | | | | | | |
|-----------------------------|-------------------------|---------------|----------------|------|--|--|--|-----------------------------|----------------|-------|----------------|--|--------------|---|------------|---|--|----------|---|---------|---|--|-----------|---|----------|---|--|--------------|---|---------------|---|--|-------------------|---|----------|---|--|----------------------|---|--------|---|--|-------------|----|------------|---|--|---|--|--|--------|--|-------|--|
| 3 | GRILLE OPENING REVERSED | 09-02-11 | DD | | WELDING TERMS AND SYMBOLS TO B.S. 499:PART 2. | | | MAT'L | | DATE | 10-06-10 | 47 Central Avenue, West Molesey, Surrey, KT8 2QZ Telephone 020 8783-0033. Fax 020 8783-0140 | | | | | | | | | | | | | | | | | | | | | | | | | | | | | | | | | | | | | | | | | | |
| MODIFICATION | | | | | <table border="1"> <thead> <tr> <th>GEOMETRIC TOLERANCE SYMBOLS</th> <th>CHARACTERISTIC</th> <th>SYM</th> <th>CHARACTERISTIC</th> <th>SYM</th> </tr> </thead> <tbody> <tr> <td>Straightness</td> <td>—</td> <td>Angularity</td> <td>∠</td> <td></td> </tr> <tr> <td>Flatness</td> <td>▭</td> <td>Run out</td> <td>↗</td> <td></td> </tr> <tr> <td>Roundness</td> <td>○</td> <td>Position</td> <td>⊕</td> <td></td> </tr> <tr> <td>Cylindricity</td> <td>⊘</td> <td>Concentricity</td> <td>⊙</td> <td></td> </tr> <tr> <td>Profile of a line</td> <td>⌒</td> <td>Symmetry</td> <td>⊞</td> <td></td> </tr> <tr> <td>Profile of a surface</td> <td>⌒</td> <td>M.M.C.</td> <td>⊖</td> <td></td> </tr> <tr> <td>Parallelism</td> <td>//</td> <td>Squareness</td> <td>⊥</td> <td></td> </tr> </tbody> </table> | | | GEOMETRIC TOLERANCE SYMBOLS | CHARACTERISTIC | SYM | CHARACTERISTIC | SYM | Straightness | — | Angularity | ∠ | | Flatness | ▭ | Run out | ↗ | | Roundness | ○ | Position | ⊕ | | Cylindricity | ⊘ | Concentricity | ⊙ | | Profile of a line | ⌒ | Symmetry | ⊞ | | Profile of a surface | ⌒ | M.M.C. | ⊖ | | Parallelism | // | Squareness | ⊥ | | ALL DIMENSIONS IN MM THIRD ANGLE PROJECTION TOLERANCES UNLESS OTHERWISE STATED DIMENSIONAL ± 0,5 ANGULAR ± 1° | | | FINISH | | TITLE | SALES GA. ZH TILE HEATER 3/6kW ELECTRIC UNIT |
| GEOMETRIC TOLERANCE SYMBOLS | CHARACTERISTIC | SYM | CHARACTERISTIC | SYM | | | | | | | | | | | | | | | | | | | | | | | | | | | | | | | | | | | | | | | | | | | | | | | | | | |
| Straightness | — | Angularity | ∠ | | | | | | | | | | | | | | | | | | | | | | | | | | | | | | | | | | | | | | | | | | | | | | | | | | | |
| Flatness | ▭ | Run out | ↗ | | | | | | | | | | | | | | | | | | | | | | | | | | | | | | | | | | | | | | | | | | | | | | | | | | | |
| Roundness | ○ | Position | ⊕ | | | | | | | | | | | | | | | | | | | | | | | | | | | | | | | | | | | | | | | | | | | | | | | | | | | |
| Cylindricity | ⊘ | Concentricity | ⊙ | | | | | | | | | | | | | | | | | | | | | | | | | | | | | | | | | | | | | | | | | | | | | | | | | | | |
| Profile of a line | ⌒ | Symmetry | ⊞ | | | | | | | | | | | | | | | | | | | | | | | | | | | | | | | | | | | | | | | | | | | | | | | | | | | |
| Profile of a surface | ⌒ | M.M.C. | ⊖ | | | | | | | | | | | | | | | | | | | | | | | | | | | | | | | | | | | | | | | | | | | | | | | | | | | |
| Parallelism | // | Squareness | ⊥ | | | | | | | | | | | | | | | | | | | | | | | | | | | | | | | | | | | | | | | | | | | | | | | | | | | |
| 2 | DEV MODS | 29-10-10 | DD | | | | | | | APP'D | | JOB | | | | | | | | | | | | | | | | | | | | | | | | | | | | | | | | | | | | | | | | | | |
| 1 | FIRST ISS. | 10-06-10 | DD | | | | | | | DATE | | DRG.NO. | A1/24751 | | | | | | | | | | | | | | | | | | | | | | | | | | | | | | | | | | | | | | | | | |