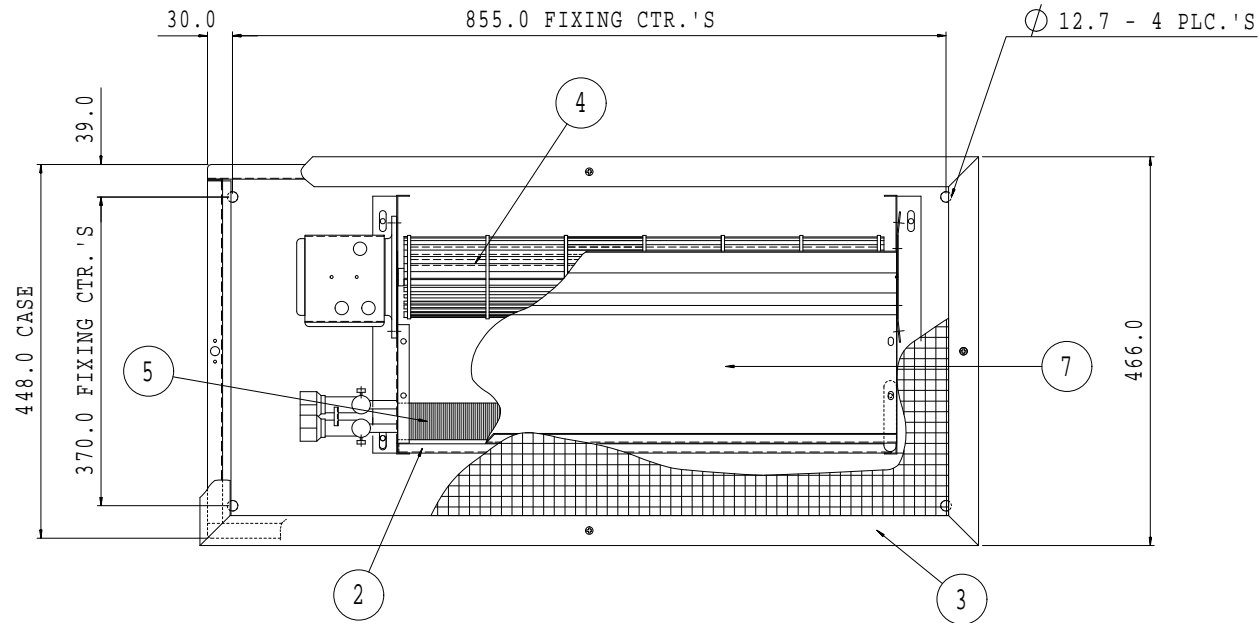
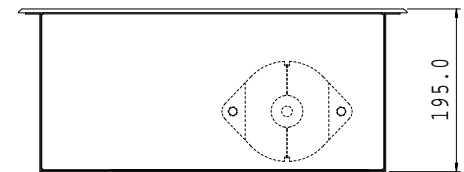
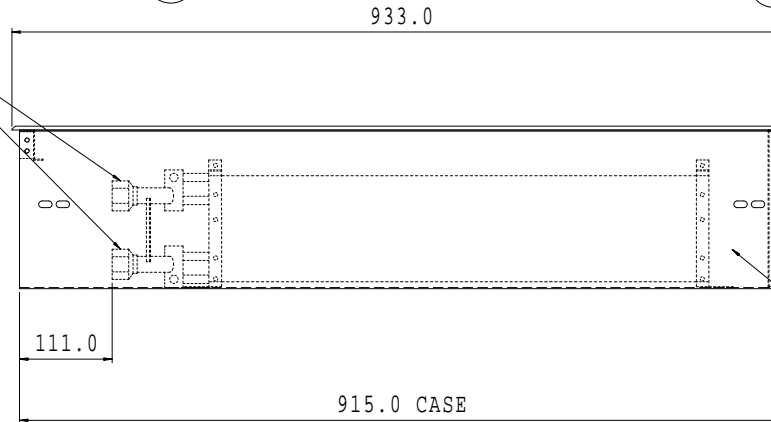


ITEM	DESCRIPTION
1	CASE
2	FILTER (OPTIONAL)
3	GRILLE & FRAME
4	FAN
5	HEATING COIL
6	MOTOR ASSEMBLY
7	FRONT PANEL



3/4" B.S.P. (FEMALE) x22mm CONNECTIONS



NOTES:

1: ALL DIMNS TO OUTSIDE OF EDGE OF MATERIAL, UNLESS STATED OTHERWISE.

REV.	MOD.NO.	DATE	DRN	CHKD	DRAWING TO B.S. 308:PARTS 1,2 AND 3. WELDING TERMS AND SYMBOLS TO B.S. 499:PART 2.				SCALE : NTS	DRAWN DO'R	DIFFUSION ENVIRONMENTAL LTD 47 Central Avenue, West Molesey, Surrey, KT8 2QZ Telephone 0181-783-0033. Fax 0181-783-0140																																				
3	R-RADAN	05/06/99	DO'R							DATE 05/06/99	TITLE SALES GA																																				
2	ECR 1343	26/10/95	GC						MAT'L : AS PARTS	CHECKED	TRW / 09																																				
1	ECR 1077	12/07/93	RP							DATE																																					
					<table border="1"> <thead> <tr> <th colspan="2">GEOMETRIC TOLERANCE SYMBOLS</th> <th colspan="2">ALL DIMENSIONS IN MM THIRD ANGLE PROJECTION</th> </tr> <tr> <th>CHARACTERISTIC</th> <th>SYM</th> <th>CHARACTERISTIC</th> <th>SYM</th> </tr> </thead> <tbody> <tr> <td>Straightness</td> <td>—</td> <td>Angularity</td> <td>∠</td> </tr> <tr> <td>Flatness</td> <td>▭</td> <td>Run out</td> <td>↗</td> </tr> <tr> <td>Roundness</td> <td>○</td> <td>Position</td> <td>⊕</td> </tr> <tr> <td>Cylindricity</td> <td>⊘</td> <td>Concentricity</td> <td>⊙</td> </tr> <tr> <td>Profile of a line</td> <td>⌒</td> <td>Symmetry</td> <td>≡</td> </tr> <tr> <td>Profile of a surface</td> <td>⌒</td> <td>M.M.C.</td> <td>⊖</td> </tr> <tr> <td>Parallelism</td> <td>//</td> <td>Squareness</td> <td>⊥</td> </tr> </tbody> </table>				GEOMETRIC TOLERANCE SYMBOLS		ALL DIMENSIONS IN MM THIRD ANGLE PROJECTION		CHARACTERISTIC	SYM	CHARACTERISTIC	SYM	Straightness	—	Angularity	∠	Flatness	▭	Run out	↗	Roundness	○	Position	⊕	Cylindricity	⊘	Concentricity	⊙	Profile of a line	⌒	Symmetry	≡	Profile of a surface	⌒	M.M.C.	⊖	Parallelism	//	Squareness	⊥	FINISH :	APP'D	JOB STANDARD
GEOMETRIC TOLERANCE SYMBOLS		ALL DIMENSIONS IN MM THIRD ANGLE PROJECTION																																													
CHARACTERISTIC	SYM	CHARACTERISTIC	SYM																																												
Straightness	—	Angularity	∠																																												
Flatness	▭	Run out	↗																																												
Roundness	○	Position	⊕																																												
Cylindricity	⊘	Concentricity	⊙																																												
Profile of a line	⌒	Symmetry	≡																																												
Profile of a surface	⌒	M.M.C.	⊖																																												
Parallelism	//	Squareness	⊥																																												
									DATE	DRG.NO.	A1/103 000																																				