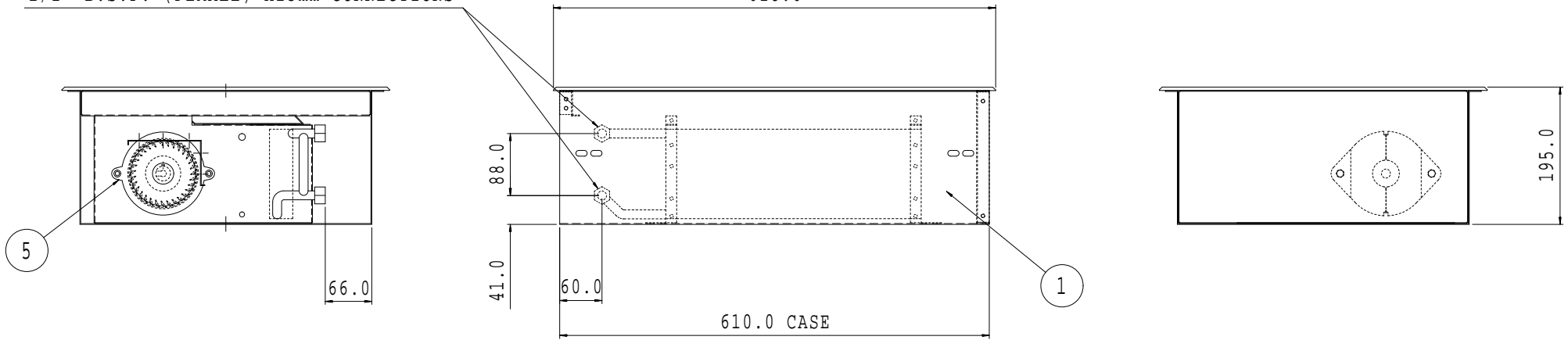


ITEM	DESCRIPTION
1	CASE
2	FILTER (OPTIONAL)
3	GRILLE & FRAME
4	FAN
5	HEATING COIL
6	MOTOR ASSEMBLY
7	FRONT PANEL

1/2" B.S.P. (FEMALE) x15mm CONNECTIONS



NOTES:

1: ALL DIMNS TO OUTSIDE OF EDGE OF MATERIAL, UNLESS STATED OTHERWISE.

REV.	MOD.NO.	DATE	DRN	CHKD	DRAWING TO B.S. 308:PARTS 1.2 AND 3. WELDING TERMS AND SYMBOLS TO B.S. 499:PART 2.	SCALE : NTS	DRAWN DO'R	DIFFUSION ENVIRONMENTAL LTD 47 Central Avenue, West Molesey, Surrey, KT8 2OZ Telephone 020 8783-0033. Fax 020 8783-0140	
2	R-RADAN	26/05/99	DO'R				DATE 26/05/99		
1	ECR 1077	12/07/93	RP			MAT'L : AS PARTS	CHECKED	TITLE SALES GA TRW / 06	
A	ECR 410	01/07/91	SSC				DATE		
					<b>GEOMETRIC TOLERANCE SYMBOLS</b> CHARACTERISTIC SYM CHARACTERISTIC SYM Straightness — Angularity ∠ Flatness ▭ Run out / Roundness ○ Position ⊕ Cylindricity ∅ Concentricity ⊙ Profile of a line ∩ Symmetry ≡ Profile of a surface ∩ M.M.C. ⊖ Parallelism // Squareness ⊥	ALL DIMENSIONS IN MM THIRD ANGLE PROJECTION  TOLERANCES UNLESS OTHERWISE STATED DIMENSIONAL ± 0,5 ANGULAR ± 1°	FINISH :	APP'D	JOB STANDARD
							DATE	DRG.NO. A1/102 000	