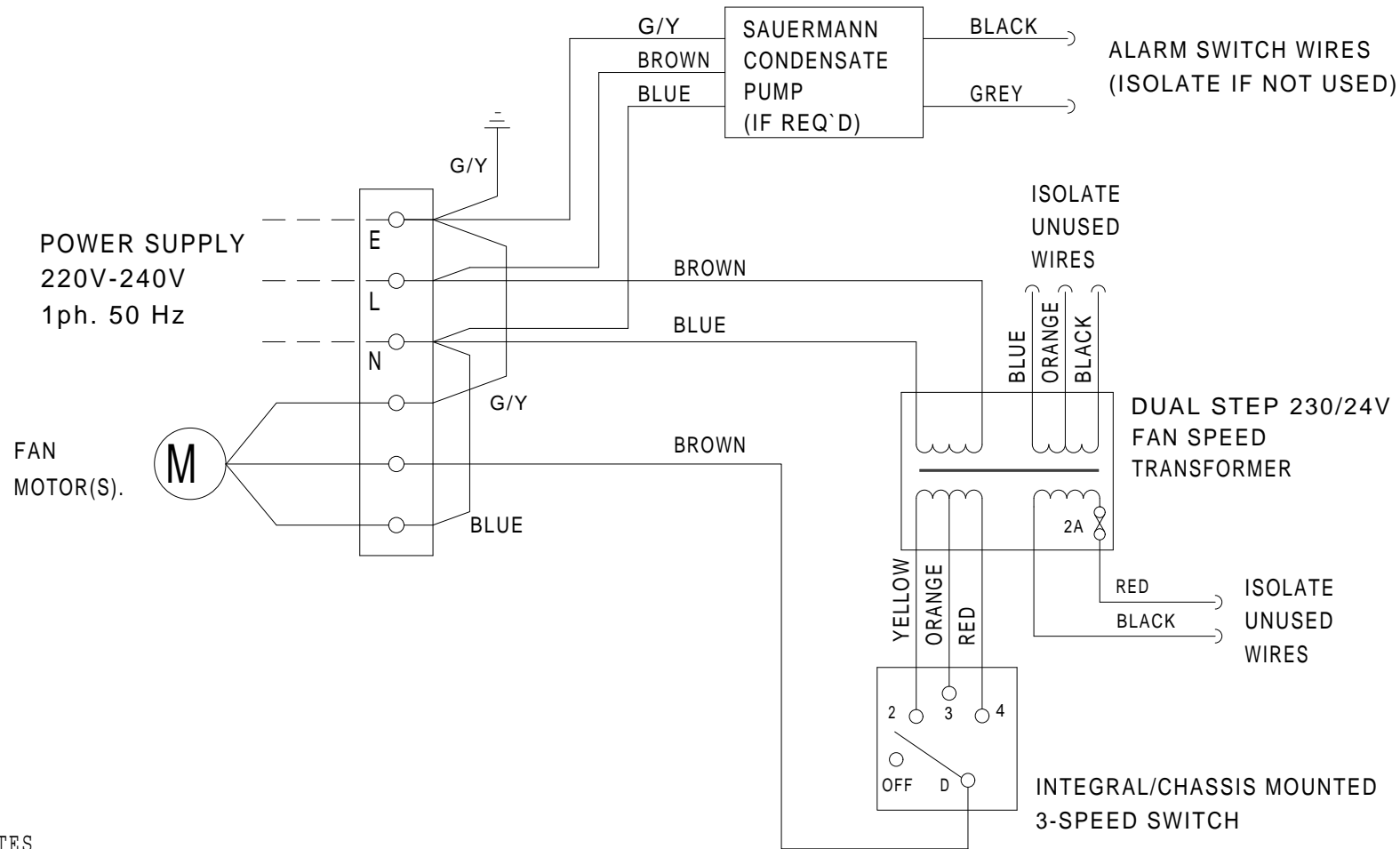


DO NOT SCALE

IF IN DOUBT ASK

© COPYRIGHT RESERVED ET ENVIRONMENTAL LTD.



NOTES

- 1, FIELD WIRING SHOWN THUS : - - - - -
- 2, G/Y - GREEN/YELLOW
- 3, WIRES TO BS.4808 COPPER 24/0,2 (0,75mm²)

REV.	MOD.NO.	DATE	DRN	CHKD	DRAWING TO B.S. 308:PARTS 1,2 AND 3. WELDING TERMS AND SYMBOLS TO B.S. 499:PART 2.	SCALE	DRAWN	DIFFUSION ENVIRONMENTAL LTD 47 Central Avenue, West Molesey, Surrey, KT8 2QZ Telephone 020 8783-0033. Fax 020 8783-0140																																					
1	REQ 4539	21-07-07	DD	SPH		MAT'L	DD		DATE 21-07-07																																				
MODIFICATION					<table border="1"> <thead> <tr> <th colspan="4">GEOMETRIC TOLERANCE SYMBOLS</th> </tr> <tr> <th>CHARACTERISTIC</th> <th>SYM</th> <th>CHARACTERISTIC</th> <th>SYM</th> </tr> </thead> <tbody> <tr> <td>Straightness</td> <td>—</td> <td>Angularity</td> <td>∠</td> </tr> <tr> <td>Flatness</td> <td>▭</td> <td>Run out</td> <td>↗</td> </tr> <tr> <td>Roundness</td> <td>○</td> <td>Position</td> <td>⊕</td> </tr> <tr> <td>Cylindricity</td> <td>⊘</td> <td>Concentricity</td> <td>⊙</td> </tr> <tr> <td>Profile of a line</td> <td>⌒</td> <td>Symmetry</td> <td>≡</td> </tr> <tr> <td>Profile of a surface</td> <td>⌒</td> <td>M.M.C.</td> <td>Ⓢ</td> </tr> <tr> <td>Parallelism</td> <td>//</td> <td>Squareness</td> <td>⊥</td> </tr> </tbody> </table>	GEOMETRIC TOLERANCE SYMBOLS				CHARACTERISTIC	SYM	CHARACTERISTIC	SYM	Straightness	—	Angularity	∠	Flatness	▭	Run out	↗	Roundness	○	Position	⊕	Cylindricity	⊘	Concentricity	⊙	Profile of a line	⌒	Symmetry	≡	Profile of a surface	⌒	M.M.C.	Ⓢ	Parallelism	//	Squareness	⊥	ALL DIMENSIONS IN MM THIRD ANGLE PROJECTION TOLERANCES UNLESS OTHERWISE STATED DIMENSIONAL ± 0,5 ANGULAR ± 1°	FINISH	DATE 23-07-07	TITLE WIRING DIAGRAM, LOWLINE STANDARD INTEGRAL SPEED CONTROL.
GEOMETRIC TOLERANCE SYMBOLS																																													
CHARACTERISTIC	SYM	CHARACTERISTIC	SYM																																										
Straightness	—	Angularity	∠																																										
Flatness	▭	Run out	↗																																										
Roundness	○	Position	⊕																																										
Cylindricity	⊘	Concentricity	⊙																																										
Profile of a line	⌒	Symmetry	≡																																										
Profile of a surface	⌒	M.M.C.	Ⓢ																																										
Parallelism	//	Squareness	⊥																																										
						APP'D	JOB																																						
						DATE	DRG.NO.	A3/21712																																					