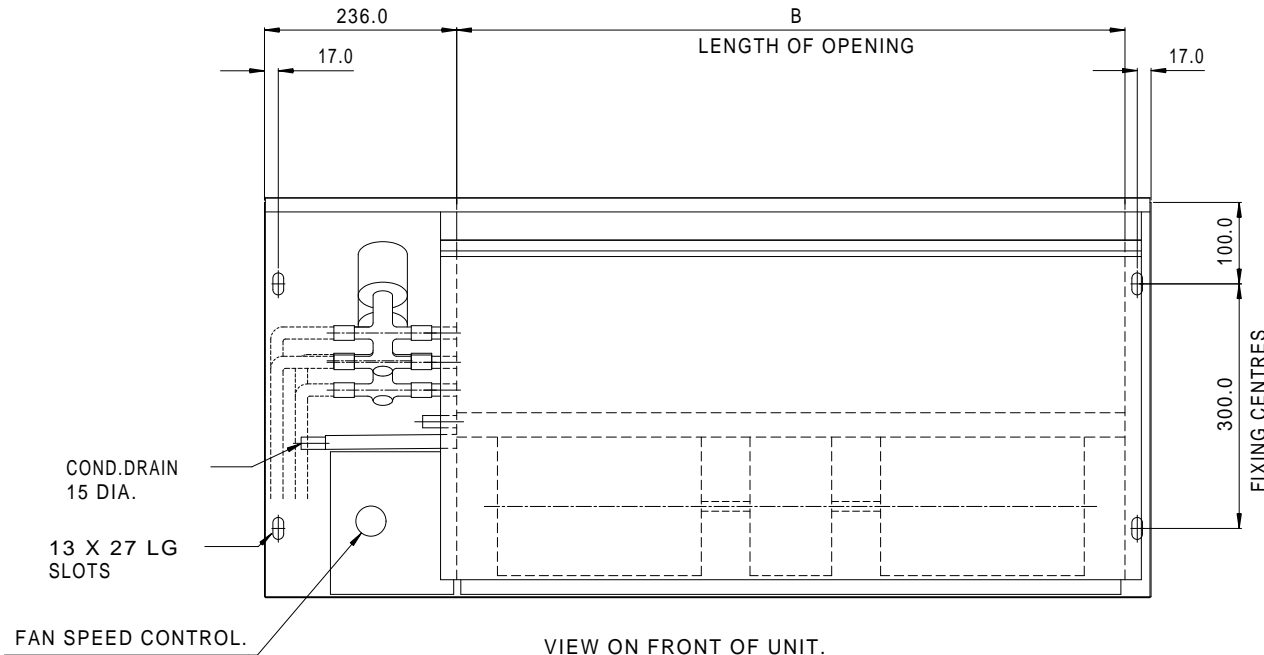
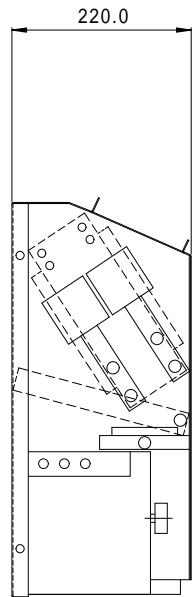
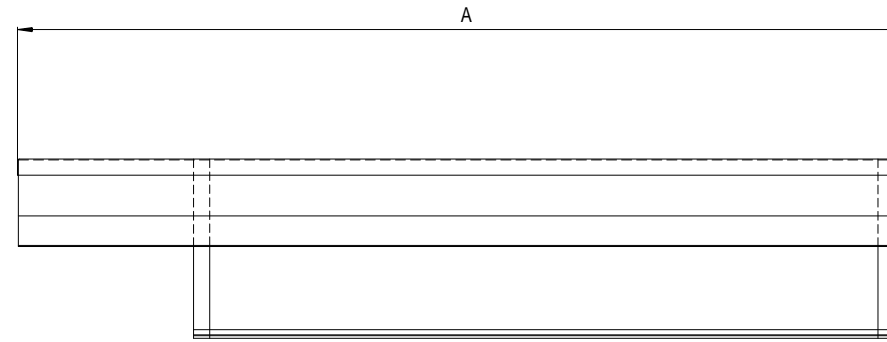
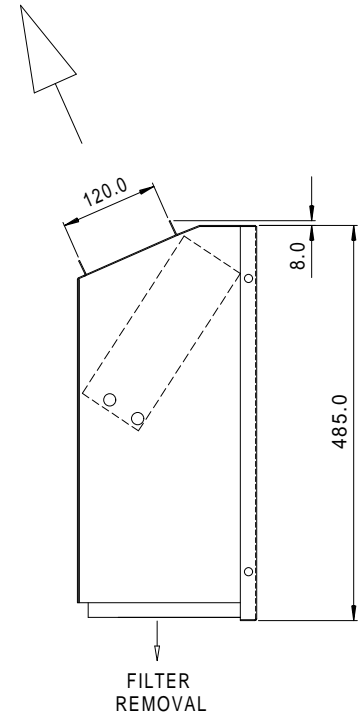


UNIT	A	B
6	868	600
9	1088	820
12	1243	975
15	1668	1400
18	2053	1785



DIRECTION OF AIR FLOW.



REV.	MOD.NO.	DATE	DRN	CHKD	DRAWING TO B.S. 308:PARTS 1,2 AND 3.		SCALE	NTS	DRAWN	ANR	DIFFUSION ENVIRONMENTAL LTD																																								
1	REQ 1715	21-07-99	ANR	RH	WELDING TERMS AND SYMBOLS TO B.S. 499:PART 2.		MATERIAL		DATE	21-07-99	47 Central Avenue, West Molesey, Surrey, KT8 2QZ Telephone 020-8783-0033. Fax 020-8783-0140																																								
MODIFICATION					<table border="1"> <thead> <tr> <th colspan="4">GEOMETRIC TOLERANCE SYMBOLS</th> </tr> <tr> <th>CHARACTERISTIC</th> <th>SYM</th> <th>CHARACTERISTIC</th> <th>SYM</th> </tr> </thead> <tbody> <tr> <td>Straightness</td> <td>—</td> <td>Angularity</td> <td>∠</td> </tr> <tr> <td>Flatness</td> <td>▭</td> <td>Run out</td> <td>↗</td> </tr> <tr> <td>Roundness</td> <td>○</td> <td>Position</td> <td>⊕</td> </tr> <tr> <td>Cylindricity</td> <td>⊘</td> <td>Concentricity</td> <td>⊙</td> </tr> <tr> <td>Profile of a line</td> <td>⌒</td> <td>Symmetry</td> <td>≡</td> </tr> <tr> <td>Profile of a surface</td> <td>⌒</td> <td>M.M.C.</td> <td>⊖</td> </tr> <tr> <td>Parallelism</td> <td>//</td> <td>Squareness</td> <td>⊥</td> </tr> </tbody> </table>			GEOMETRIC TOLERANCE SYMBOLS				CHARACTERISTIC	SYM	CHARACTERISTIC	SYM	Straightness	—	Angularity	∠	Flatness	▭	Run out	↗	Roundness	○	Position	⊕	Cylindricity	⊘	Concentricity	⊙	Profile of a line	⌒	Symmetry	≡	Profile of a surface	⌒	M.M.C.	⊖	Parallelism	//	Squareness	⊥	ALL DIMENSIONS IN MM THIRD ANGLE PROJECTION		FINISH		DATE	21-07-99	TITLE SALES LITERATURE G.A. LOWLINE WV-6, 9, 12, 15, 18 CHASSIS UNIT	
					GEOMETRIC TOLERANCE SYMBOLS																																														
CHARACTERISTIC	SYM	CHARACTERISTIC	SYM																																																
Straightness	—	Angularity	∠																																																
Flatness	▭	Run out	↗																																																
Roundness	○	Position	⊕																																																
Cylindricity	⊘	Concentricity	⊙																																																
Profile of a line	⌒	Symmetry	≡																																																
Profile of a surface	⌒	M.M.C.	⊖																																																
Parallelism	//	Squareness	⊥																																																
					TOLERANCES UNLESS OTHERWISE STATED DIMENSIONAL $\pm 0,5$ ANGULAR $\pm 1^\circ$			APP'D		JOB																																									
								DATE		DRG.NO.	A1/9516																																								